
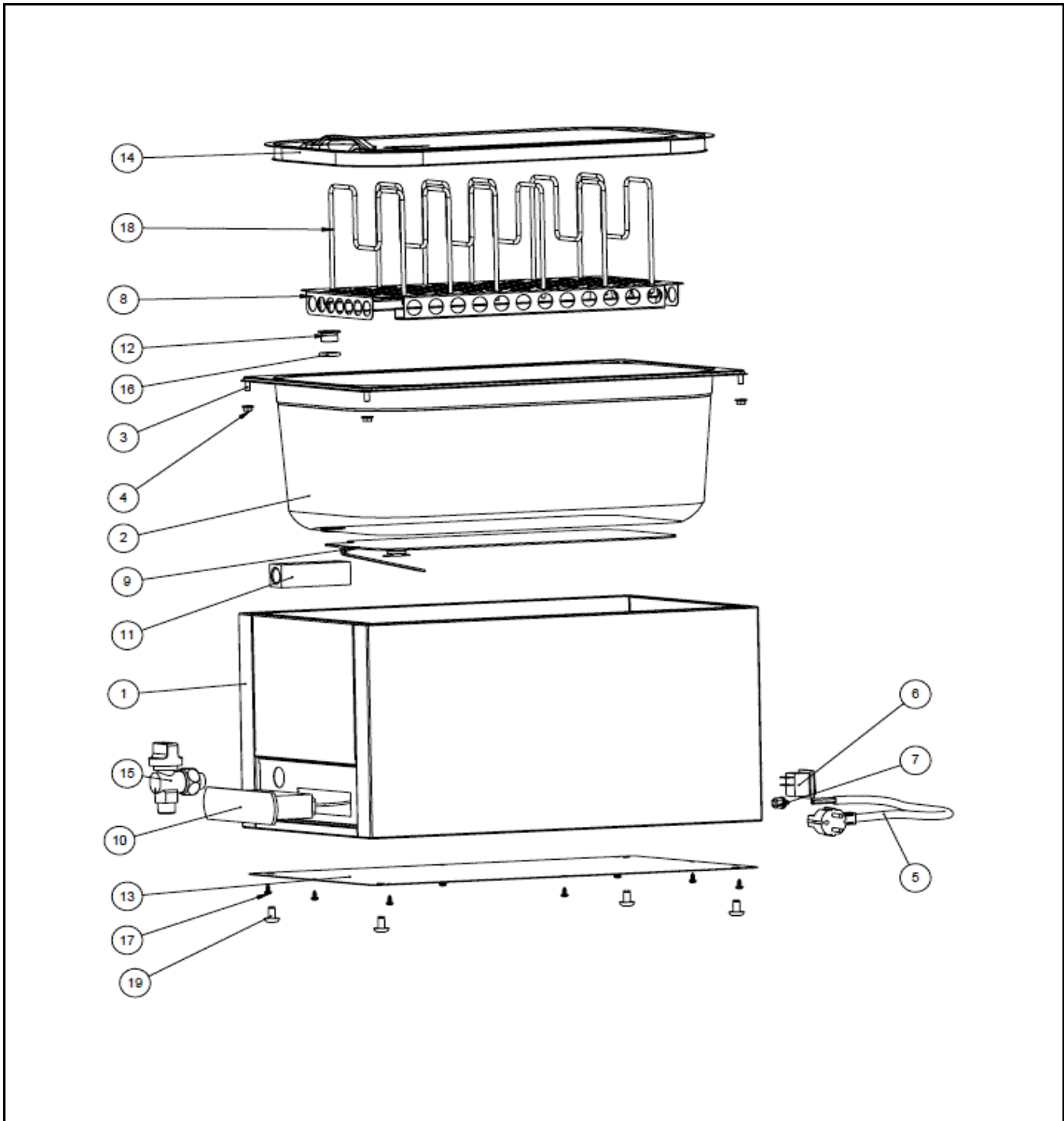



Drawing

 <b>HENDI</b> FOOD SERVICE EQUIPMENT <b>Hendi B.V.</b> Steenoven 21 3911 TX Rhenen The Netherlands	<b>Batch #</b>	<b>Appliance part#</b>
	201124 and up	<b>225448</b>
	<b>Description</b>	
	<b>Sous Vide</b>	

<b>Date</b>	21-02-2013	<b>Revision #</b>	Revision version
<b>Revision</b>	First bill of materials (BOM)		



### Bill of materials (BOM)

 <b>Hendi B.V.</b> Steenoven 21 3911 TX Rhenen The Netherlands	<b>Batch #</b>	<b>Appliance part#</b>
	201124 and up	<b>225448</b>
	<b>Description</b>	
	<b>Sous Vide</b>	


<b>Date</b>	21-02-2013	<b>Revision #</b>	Revision version
<b>Revision</b>	First bill of materials (BOM)		

Item	Description	Part#	Quantity	Remark	Picture
1	Frame	n/a	1		
2	Bin with element	931004	1	Incl item 3 and 9	
3	Weld stud M6x15	nss	4	Available as 931004	
4	Nut M6	n/a	4		
5	Powercord H05vv-F3G1,5mm <sup>2</sup>	205303	1		
6	Switch	205426	1		
7	Pull relief	931066	1		
8	Bottom plate grid	931011	1		
9	Element incl clixon	nss	1	Available as 931004	
10	Digital controller	931028	1		
11	Drainage pipe	n/a	1		
12	Drain plug	n/a	1		
13	Bottom cover	n/a	1		
14	Lid incl siliconen rim	931035	1		
15	Faucet	251515	1		
16	O-Ring	931042	1		
17	Plate screw 4,2x9,5	n/a	8		
18	Bow for grid	931059	6		
19	Foot	931073	4		

n/a -> not available

nss -> not sold separately

## Wiring diagram

 <b style="font-size: 24px; font-weight: bold; color: red;">HENDI</b> <small>FOOD SERVICE EQUIPMENT</small>  <b>Hendi B.V.</b> Steenoven 21 3911 TX Rhenen The Netherlands	<b>Batch #</b>	<b>Appliance part#</b>
	201124 and up	225448
	<b>Description</b>	
	Sous Vide	

<b>Date</b>	21-02-2013	<b>Revision #</b>	Revision version
<b>Revision</b>	First bill of materials (BOM)		

