

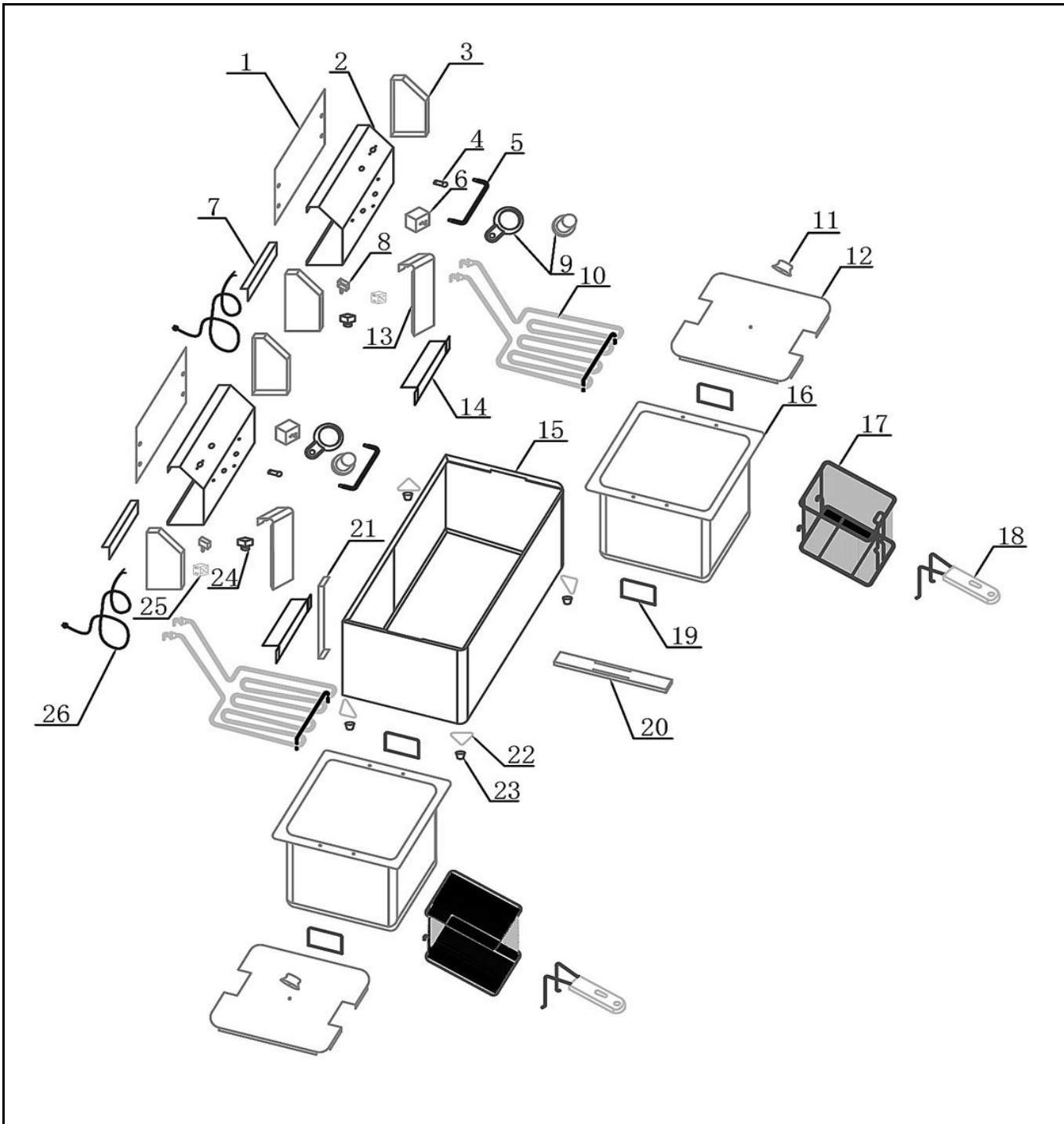
Drawing

 **HENDI**
FOOD SERVICE EQUIPMENT


Hendi B.V.
Steenoven 21
3911 TX Rhenen
The Netherlands

Batch #	Appliance part#
300669-000001 and up	205839
Description	
Deep fryer 2 x 8L bleu line	

Date	08-11-2017	Revision #	Revision version
Revision	First bill of materials (BOM)		



Bill of materials (BOM)

 HENDI FOOD SERVICE EQUIPMENT Hendi B.V. Steenoven 21 3911 TX Rhenen The Netherlands	Batch #	Appliance part#
	300669-000001 and up	205839
	Description	
	Deep fryer 2 x 8L bleu line	


Date	08-11-2017	Revision #	Revision version
Revision	First bill of materials (BOM)		

Item	Description	Part#	Quantity	Remark	Picture
1	Back cover	n/a	2		
2	Front cover	n/a	2		
3	Side cover	n/a	4		
4	Indicator light	930533	2		
5	Bracket	n/a	2		
6	Thermostat	930557	2		
7	Bracket	n/a	2		
8	Microswitch	930571	2		
9	Knob	930564	2		
10	Element	930649	2		
11	Knob for lid	940402	2		
12	Lid	n/a	2		
13	Bracket	n/a	2		
14	Support	n/a	2		
15	Frame	n/a	1		
16	Fryer bassin	n/a	2		
17	Fryer basket	930656	2	Incl item 18	
18	Handle fryer basket	nss	2	Available as 930656	
19	Handle	n/a	4		
20	Bracket	n/a	1		
21	Bracket	n/a	1		
22	Support plate	n/a	4		
23	Feet	930588	4		
24	Hi-Limiter	930595	2		
25	Terminal	930540	2		
26	Power cord	205303	2		
*	Probe holder	930663	4	(Not shown on exploded view)	

n/a -> not available

nss -> not sold separately

Circuit diagram

 HENDI FOOD SERVICE EQUIPMENT Hendi B.V. Steenoven 21 3911 TX Rhenen The Netherlands	Batch #	Appliance part#
	300669-000001 and up	205839
	Description	
	Deep fryer 2 x 8L bleu line	

Date	08-11-2017	Revision #	Revision version
Revision	First bill of materials (BOM)		

