
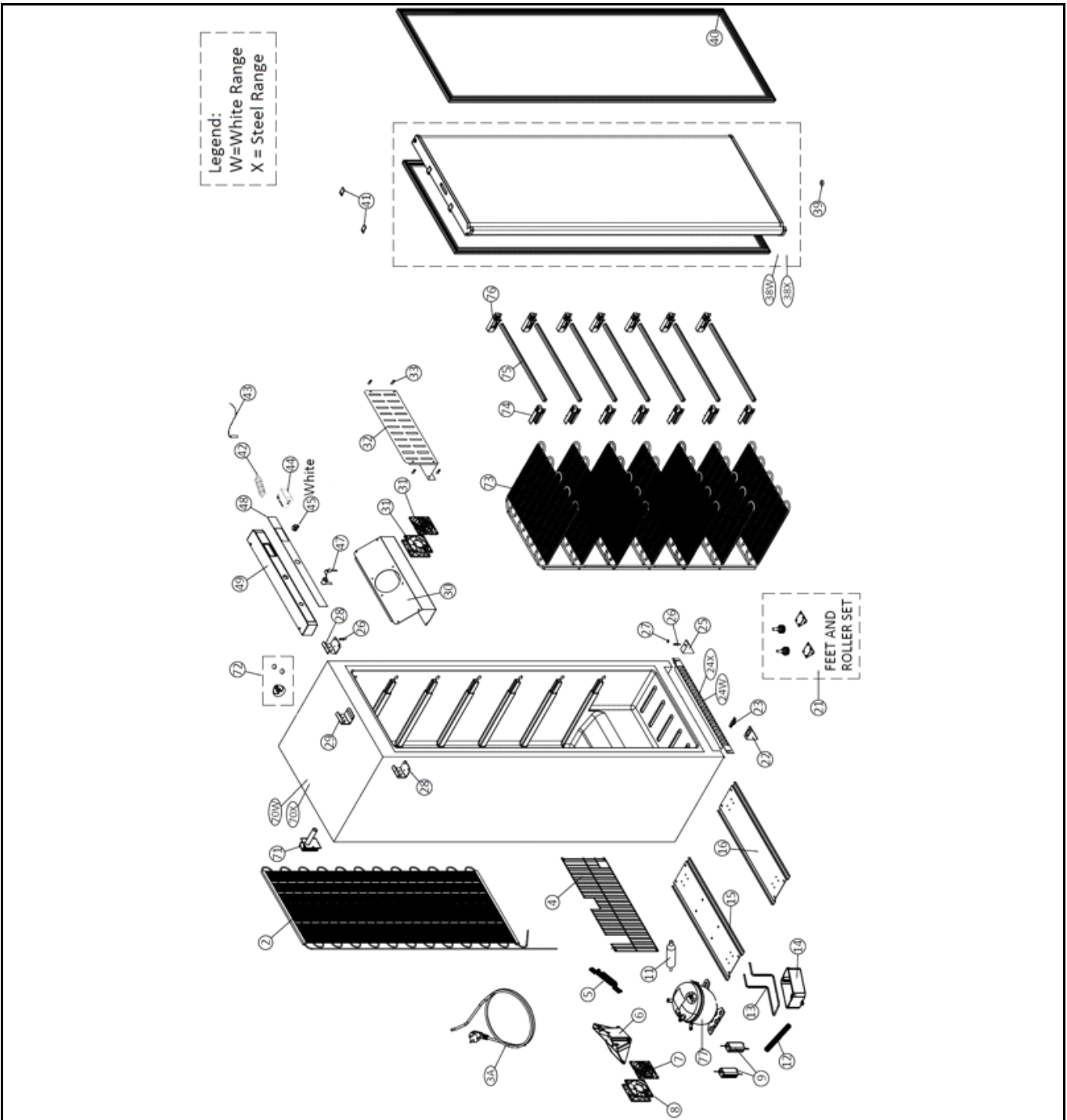



# Drawing

 <h2 style="margin: 0;">HENDI</h2> <p style="margin: 0; color: green; font-size: small;">Tools for Chefs</p> <p><b>Hendi B.V.</b>                  Innovatielaan 6                  6745XW De Klomp                  The Netherlands</p>	<b>Batch #</b>	<b>Appliance part#</b>
	000000 and up	236109
	<b>Description</b>	
	Budget Line freezer cabinet (Steel)	

<b>Date</b>	26-06-2026	<b>Revision #</b>	V.01
<b>Revision</b>	First Bill of Materials (BOM)		



### Bill of materials (BOM)

 <b>HENDI</b> <small>Tools for Chefs</small> <b>Hendi B.V.</b> Innovatielaan 6 6745XW De Klomp The Netherlands	<b>Batch #</b>	<b>Appliance part#</b>
	000000 and up	236109
	<b>Description</b>	
	Budget Line freezer cabinet (Steel)	


<b>Date</b>	26-06-2026	<b>Revision #</b>	V.01
<b>Revision</b>	First Bill of Materials (BOM)		

Item	Description	Part#	Quantity	Remark	Picture
2	Condensor	n/a	1		
3A	Power cord EU	n/a	1		
4	Safety grid engine	n/a	1		
5	Support bracket fan (condensor)	n/a	1		
6	Condensor fan support (condensor)	973523	1		
7	Safety grid fan (condensor)	n/a	1		
8	Fan (condensor)	973530	2		
9	Power supply (12V/12W)	973387	2		
11	Dryer filter	n/a	1		
12	Pipe water drain	n/a	1		
13	Drain pipe	n/a	1		
14	Water tray	973547	1		
15	Base plate engine (rear) - feet/roller	n/a	1		
16	Base plate engine (front) - feet.roller	n/a	1		
21	Feet and roller set	973394	1		
22	Hinge door (left, Ai color)	n/a	1		
23	Support wheel (left bottom, door)	n/a	1		
24X	Safy panel (steel)	n/a	1		
25	Hinge door (right, Ai color)	n/a	1		
26	Pivot for hinge (upper/bottom)	n/a	2		
27	Spacer hinge (bottom)	n/a	1		
28	Hinge door (left/right - upper)	n/a	2		
29	Support brackel lock	n/a	1		
30	Support brackel fan (evaporator)	n/a	1		
31	Fan / safety grid (evaporator)	973554	1		
32	Cover plate fan (evaporator)	n/a	1		
33	Cover screws (white)	n/a	4		
38X	Door (cooler, include gasket, steel))	n/a	1		
39	Cover plug hole	973400	1		
40	Gasket (door)	973615	1		
41	Door stop	n/a	2		
42	Sensor bracket	n/a	1		
43	Sensor	973424	1		
44	Digital control unit	973431	1		
45	Door alarm switch (white)	n/a	1		
47	Lock	973417	1		
48	Sticker for front panel	n/a	1		
49	Panel top	n/a	1		
70X	Freezer body assembly (steel)	n/a	1		
71	Valve balance	n/a	1		
72	Support bracket valve with covers	n/a	1		
73	Evaporator shelf	n/a	1		
74	Evaporator holder left (freezer)	973509	7		
75	Evaporator cover stripes (freezer)	973622	7		
76	Evoperator holder right (freezer)	973493	7		
77	Compressor (freezer)	n/a	1		

n/a -> not available

nss -> not sold separately

### Dimensional drawing

 <b style="font-size: 2em; margin-left: 10px;">HENDI</b> <span style="color: green; font-size: 0.8em; margin-left: 10px;">Tools for Chefs</span> <b>Hendi B.V.</b> Innovatielaan 6 6745XW De Klomp The Netherlands	<b>Batch #</b>	<b>Appliance part#</b>
	000000 and up	2360109
	<b>Description</b>	
	Budget Line freezer cabinet (Steel)	

<b>Date</b>	26-06-2026	<b>Revision #</b>	V.01
<b>Revision</b>	First Bill of Materials (BOM)		

