
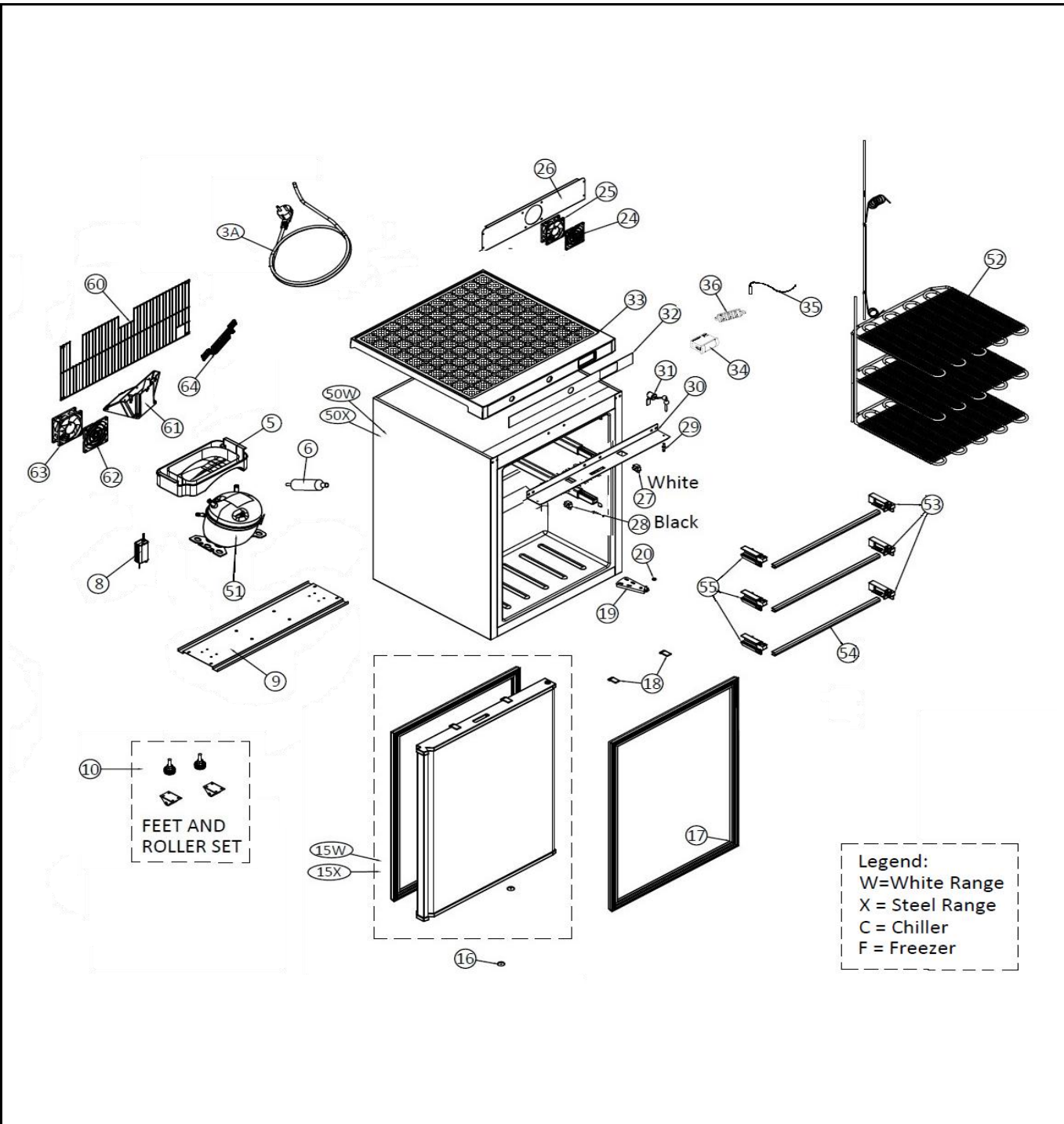



Drawing

 <b>HENDI</b> Tools for Chefs <b>Hendi B.V.</b> Innovatielaan 6 6745XW De Klomp The Netherlands	<b>Batch #</b>	<b>Appliance part#</b>
	000000 and up	236062
	<b>Description</b>	
	Budget Line freezer cabinet (white)	

<b>Date</b>	26-06-2026	<b>Revision #</b>	V.01
<b>Revision</b>	First Bill of Materials (BOM)		



### Bill of materials (BOM)

 <b>HENDI</b> <small>Tools for Chefs</small> <b>Hendi B.V.</b> Innovatielaan 6 6745XW De Klomp The Netherlands	<b>Batch #</b>	<b>Appliance part#</b>
	000000 and up	236062
	<b>Description</b>	
	Budget Line freezer cabinet (white)	


<b>Date</b>	26-06-2026	<b>Revision #</b>	V.01
<b>Revision</b>	First Bill of Materials (BOM)		

Item	Description	Part#	Quantity	Remark	Picture
1W	Cooler body assembly (white)	n/a	1		
2	Condensor	n/a	1		
3A	Power cord EU	n/a	1		
4	Safety grid engine	n/a	1		
5	Drain pan compressor	973455	1		
6	Dryer filter	n/a	1		
8	Power supply	973387	1		
9	Base plate engine	n/a	1		
10	Feet and roller set	973394	1		
15W	Door (cooler, include gasket, white)	n/a	1		
15X	Door (cooler, include gasket, steel))	n/a	1		
16	Cover plug hole	973400	1		
17	Gasket (door)	973479	1		
18	Door stop	n/a	1		
19	Hinge (bottom)	n/a	1		
20	Spacer hinge (bottom)	n/a	1		
27	Door alarm switch (white)	n/a	1		
28	Fan / Light switch (black)	n/a	1		
29	Pivot for hinge (upper/bottom)	n/a	1		
30	Support bracket solid door	n/a	1		
31	Lock	973417	1		
32	Sticker for front panel	n/a	1		
33	Top panel for door	n/a	1		
34	Digital control unit	973431	1		
35	Sensor	973424	1		
36	Sensor bracket	n/a	1		
50W	Freezer body assembly (white)	n/a	1		
51	Compressor (freezer)	n/a	1		
52	Evaporator shelf	n/a	1		
53	Evaporator holder right (freezer)	973493	3		
54	Evaporator cover stripes (freezer)	973516	3		
55	Evaporator holder left (freezer)	973509	3		
60	Safety grid (engine)	n/a	1		
61	Condensor fan support	n/a	1		
62	Safety grid fan (condensor)	n/a	1		
63	Fan (condensor)	n/a	1		
64	Support bracket fan (condensor)	n/a	1		

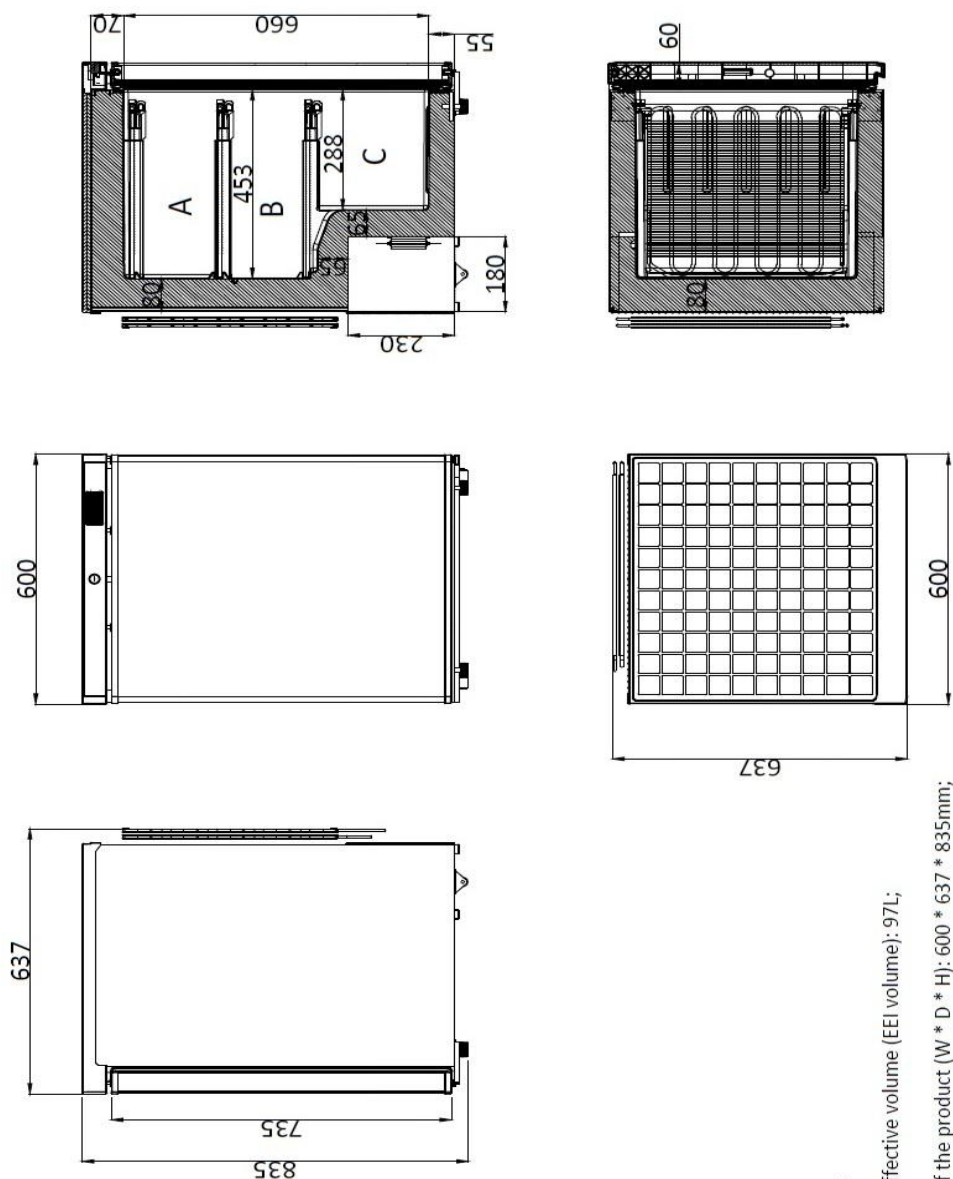
n/a -> not available

nss -> not sold separately

## Dimensional drawing

 <b style="font-size: 24px; margin-left: 10px;">HENDI</b> <span style="color: #92D050; font-size: 12px; margin-left: 10px;">Tools for Chefs</span> <b>Hendi B.V.</b> Innovatielaan 6 6745XW De Klomp The Netherlands	<b>Batch #</b>	<b>Appliance part#</b>
	000000 and up	236062
	<b>Description</b>	
	Budget Line freezer cabinet (white)	

<b>Date</b>	26-06-2026	<b>Revision #</b>	V.01
<b>Revision</b>	First Bill of Materials (BOM)		



Technical requirements:

1. Gross volume 122L, effective volume (EEI volume): 97L;
2. External dimensions of the product (W \* D \* H): 600 \* 637 \* 835mm;