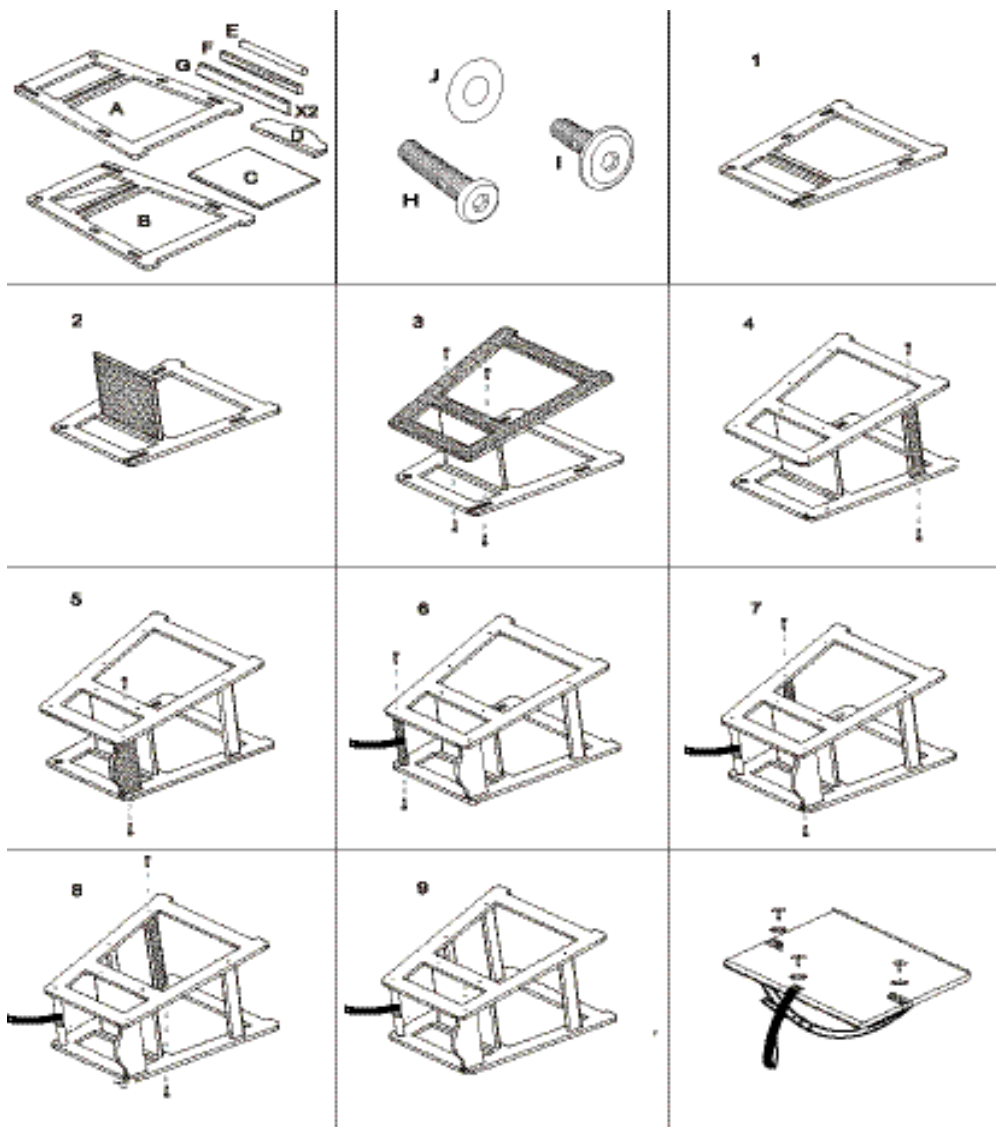


BOLERO



DL900 Beech Highchair
DL901 Dark Wood Highchair

IMPORTANT - RETAIN FOR FUTURE REFERENCE - READ CAREFULLY



Cleaning, Care & Maintenance

- Clean with a damp cloth.
- Polish with a suitable wood polish.
- Regularly tighten all screws.

Safety Tips



WARNING!



IMPORTANT - KEEP FOR FUTURE REFERENCE

DO NOT use the high chair unless all components, are correctly fitted and adjusted.

Make sure that the harness is correctly fitted.

DO NOT use this chair if the child cannot sit up by themselves.

DO NOT use the high chair if any part is broken.

Keep chair away from naked flames and intense heat sources.

- Do not leave your child unattended. The safety of your child is your responsibility.
- Position on a flat, stable surface.
- Consult Local and National Standards to comply with the following:
 - Health and Safety at Work Legislation
 - Fire Precautions
 - BS EN Codes of Practice
 - Building Regulations
- Keep all packaging away from children. Dispose of the packaging in accordance with the regulations of local authorities.

Pack Contents

 **Note: Be sure to check all packaging materials for any small parts that may have come loose during transportation.**


The following is included:

- A x 1
- B x 1
- C x 1
- D x 1
- E x 1
- F x 1
- G x 2
- Long Screw x 14 (H)
- Small screw x 3 (I)
- Washer x 3 (J)
- Lap strap x 1
- Crotch strap x 1
- Allen Key x 1

BOLERO prides itself on quality and service, ensuring that at the time of packaging the contents are supplied fully functional and free of damage.

Should you find any damage as a result of transit, please contact your BOLERO dealer immediately.

Assembly

 **Note: During assembly, ensure that all screws are only loosely connected. Tightening the screws as you go will make assembly difficult.**

1. Place **A** on a flat stable surface.
2. Insert **C** into slot with short edge up.
3. Place **B** onto **C**. Insert two screws and tighten slightly using the Allen key. Repeat for the other side.
4. Insert one **G** into slot at the back. Insert a screw and tighten slightly. Repeat for the other side.
5. Insert **D** into the slot. Insert a screw and tighten slightly. Repeat for the other side.
6. Slide **E** through the loop of the crotch strap. Insert **E** into slot. Insert a screw and tighten slightly. Repeat for the other side.
7. Insert **F** into slot. Insert a screw and tighten slightly. Repeat for the other side.
8. Insert second **G** into slot at the front. Insert a screw and tighten slightly. Repeat for the other side.
9. Tighten all screws.
10. Turn chair upside down and attach waist strap and crotch strap with washers and small screws to the underside of the seat (as shown).

Compliance

BOLERO parts have undergone strict product testing in order to comply with regulatory standards and specifications set by international, independent, and federal authorities.

This product conforms to: BS EN 14988: 2006: Parts 1 and 2



BOLERO Telephone Helpline: +44 (0)845 146 2887

BOLERO, Fourth Way, Avonmouth, United Kingdom, BS11 8TB