

BOLERO

Assembly Instructions Y807 Square Folding Table

Assembly

1. Place the folding table upside down on a flat surface.
2. Open the legs.
3. When fully open, straighten the leg supports.

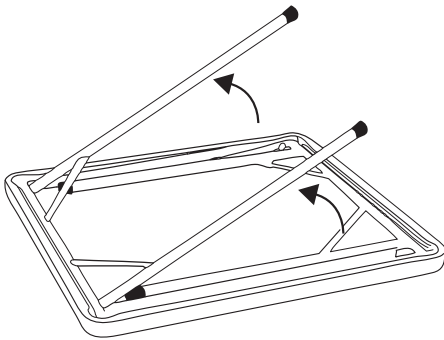
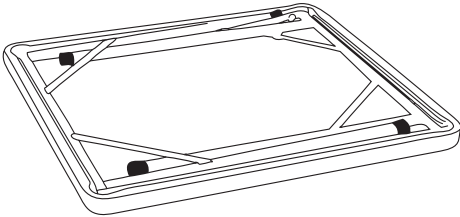


WARNING: Ensure the joint locks are securely in place before using the table.

4. Turn the table upright.



WARNING: Do not overload the table.



BOLERO Telephone Helpline: 0845 146 2887

BOLERO, Fourth Way, Avonmouth, United Kingdom, BS11 8TB

Y807_UK_A5_v3