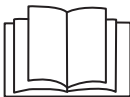




Convection Oven with Humidity Instruction manual



(EN) <u>Convection Oven with Humidity</u>	2	(DE) <u>Konvektionsofen mit Befeuchtung</u>	35
<u>Instruction manual</u>		<u>Bedienungsanleitung</u>	
(NL) <u>Heteluchtoven met vochtigheid</u>	13	(IT) <u>Forno a convezione con umidità</u>	46
<u>Gebruikshandleiding</u>		<u>Manuale di istruzioni</u>	
(FR) <u>Four à convection avec humidificateur</u>	24	(ES) <u>Horno de convección con humedad</u>	57
<u>Mode d'emploi</u>		<u>Manual de instrucciones</u>	



Caution: Read the instructions before using the appliance.

**Model • Model • Modèle • Modell • Modello • Modelo:
CU768**

Safety Instructions

DANGER OF HIGH VOLTAGE!

Electrical requirements:

Always switch off and disconnect the power supply to the appliance before installation, when not in use, before cleaning and maintenance/service.

This appliance should only be connected to the mains electricity supply by a qualified electrician. Hardwire the appliance into a suitable power supply with correct voltage and sufficient power capacity. Refer to the rating label on the appliance for voltage and wattage requirements.

Connect the appliance to a circuit protected by an appropriate RCD (Residual Current Device).

Under no circumstances put a plug on the cable.

Failure to comply with these safety instructions will release Buffalo from any responsibility and the warranty will become null and void.

- Position on a flat, stable surface.
- A service agent/qualified technician should carry out installation and any repairs if required. Do not remove any components on this product.
- Consult Local and National Standards to comply with the following:
 - Health and Safety at Work Legislation
 - BS EN Codes of Practice
 - Fire Precautions
 - IEE Wiring Regulations
 - Building Regulations

- DO NOT immerse the appliance in water.
- DO NOT clean with jet/pressure washers.
- DO NOT leave the appliance unattended during operation.
- Keep all packaging away from children. Dispose of the packaging in accordance to the regulations of local authorities.
- This appliance is not intended for use by persons (including children) with reduced physical, sensory or mental capabilities, or lack of experience and knowledge, unless they have been given supervision or instruction concerning use of the appliance by a person responsible for their safety.
- Children should be supervised to ensure that they do not play with the appliance.
- If the power cord is damaged, it must be replaced by a Buffalo agent or a recommended qualified technician in order to avoid a hazard.
- Buffalo recommend that this appliance should be periodically tested (at least annually) by a Competent Person. Testing should include, but not be limited to: Visual Inspection, Polarity Test, Earth Continuity, Insulation Continuity and Functional Testing.
- Buffalo recommend that this product is connected to a circuit protected by an appropriate RCD (Residual Current Device).

Safety Instructions for installation and maintenance

- Check that the unit is disconnected from the power supply before installation or maintenance.
- Before installing the unit, check that installations are in accordance with the current legislation in the country of use and refer to the indications on the data plate.
- Do not manipulate or disconnect the unit safety devices. This will invalidate the warranty.
- The failure to observe the manufacturer's instructions may result in damages, injuries or fatal accidents.

- If the oven is installed on supports or overlaying parts, use the ones supplied by Buffalo only and follow the assembly instructions inside the packaging.
- Non-original spare parts do not ensure the correct operation of the unit and will imply the loss of the warranty.
- The oven must be only used by trained operatives.
- The oven data plate provides necessary technical information for repair and maintenance. Therefore, avoid removing, damaging or modifying it.

Safety Instructions for use

- If the unit is not to be used for 6 months or longer, all connections must be disconnected/isolated (power supply and water). If it has already been disconnected for a long time, then it should be checked by a service technician, e.g. for stagnant water, etc.
- The oven must only and exclusively be used for the purpose it was designed, i.e., for cooking products such as fresh or frozen bread, pastries and all types of gastronomic products. Any use other than that mentioned may damage the unit.
- Do not put products with a high alcohol concentration into the oven.
- The outside and inside surfaces of the oven should be cleaned frequently to ensure hygiene and proper performance. Do not use abrasive or flammable products, which may damage the unit.
- Following the manufacturer's use and cleaning instructions is recommended. The use of non-authorized products may result in damage.
- The use of an anti-limescale filter at the water supply inlet is recommended. Otherwise, some oven components may be damaged. **Faults caused by limescale or water sediment are not included in the warranty.**

Maximum loads

Model	CAPACITY	MAXIMUM LOAD	MAX. LOAD PER RACK
CU768	5 x (GN 1/1)	25kg	Maximum 12.5kg per rack

- Never exceed the maximum load capacity to avoid damaging the unit. Failure to comply with these maximum loading values will release Buffalo from any responsibility and the warranty will become null and void.

Risk of burns

- Read these warnings carefully and follow its indications when the oven is working or not completely cooled down.
- Only touch the unit controls and door handle. Avoid touching any other external elements of the oven as they may reach temperatures over 60°C.
- Wear thermal mittens or similar to move or handle containers or trays inside the cooking chamber.
- Open the oven door slowly and be careful with high temperature vapours coming out from the cooking chamber.
- Do not stand directly over the door when opening.

Risk of fire

- Only use cleaning products recommended by the manufacturer. Using other products may damage the unit and invalidate the warranty.
- If you do not clean the unit properly and as often as needed, grease and food leftovers will accumulate in the cooking chamber and then ignite.

Pack Contents

The following is included:

- Buffalo convection oven
- Instruction manual

Buffalo prides itself on quality and service, ensuring that at the time of unpacking the contents are supplied fully functional and free of damage.

Should you find any damage as a result of transit, please contact your Buffalo dealer immediately.

Transport

Before transporting the unit to its installation site, make sure that:

- It fits through the door
- The floor withstands its weight

Transport should only and exclusively be carried out by mechanical means, such as a pallet jack, and always on a pallet.

Installation



Warning: Incorrect installation, operation, maintenance or cleaning of the equipment, as well as any modification can cause property damage and personal casualty. Fully read and understand all instructions before installation.

Not suitable for built-in installations.

Preliminary operations

Remove the protection film from the unit. Clean the adhesive residues with an appropriate solvent. Never use abrasive or acid products or tools that may damage the surface.

Placing the unit

Place the oven in the selected workplace and keep a safe distance as indicated below. Check that the unit has sufficient cold air inlets through the ventilation registers ensuring correct operation. Otherwise, the unit may overheat, and some components may be destroyed.

- If the oven is installed on an auxiliary support, it must be fixed to it.
- The facilities must be conditioned and meet the regulations in force with regard to safety in installations.
- In addition, the unit must be protected from atmospheric agents.
- The ambient temperature may range between 5°C and 35°C maximum for correct operation of the unit.
- Humidity in the facilities should never exceed 70%.



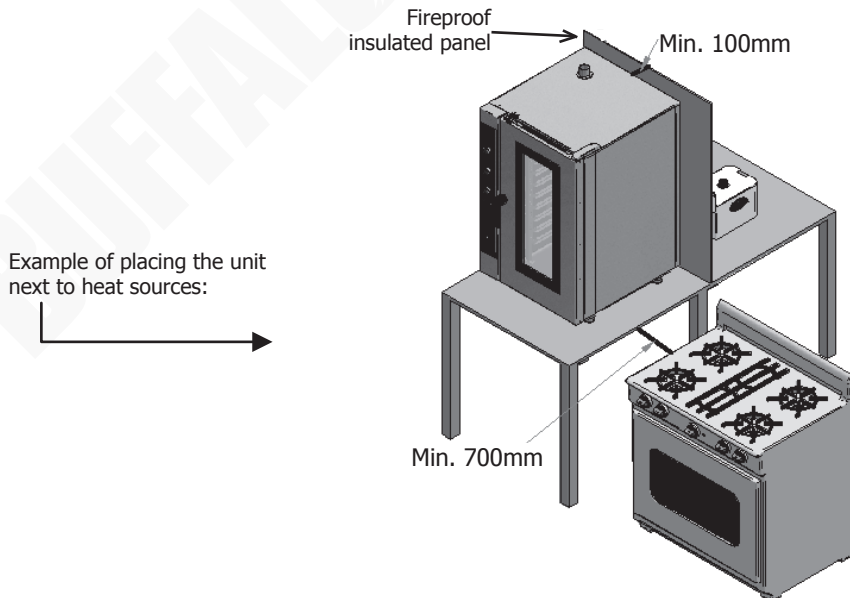
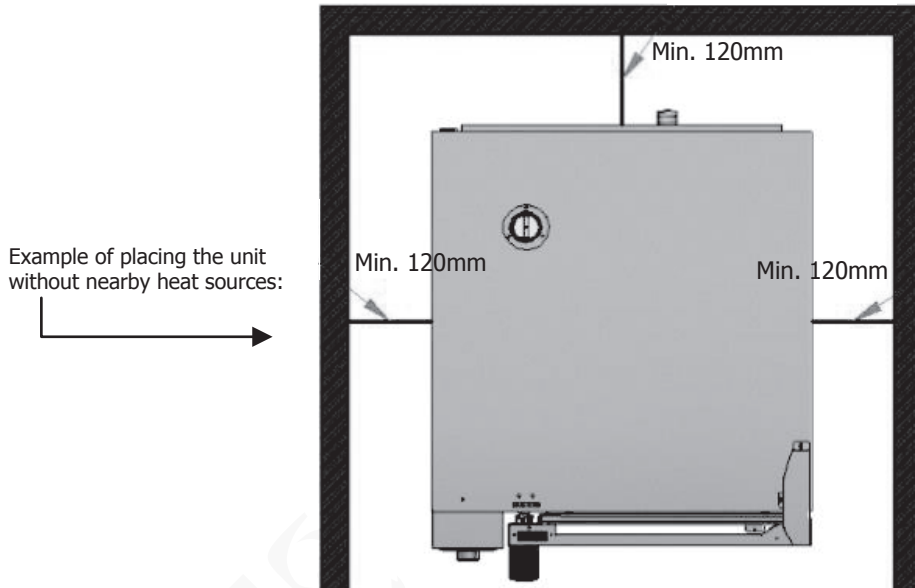
Max. 70%



Max. 35°C

Min. 5°C

We recommend leaving a 120mm gap for repair and if there are heat sources or combustible elements, that safety distance must be 700mm minimum. We also recommend ensuring good ventilation of the unit to prevent overheating its components.



We recommended leaving a free working space of around 500mm for maintenance operations.

Starting up the unit

To start up and install the unit appropriately, please follow the instructions in this instruction manual.

Remember that any fault or breakage resulting from improper installation or starting up, will make the warranty become null and void.

Electrical wiring



DANGER of electric shock from incorrect connection

There is a danger to life if the wires are incorrectly connected.

Connection to a suitable power supply should only be carried out by a qualified and competent electrical engineer.

Warning: The fixed wiring of the power cord connection must be equipped with a disconnect device (leakage protection switch) with a contact distance greater than 30mm according to the wiring rules.

Connect the unit in accordance with the applicable regulations of your country, federal state, city or local authority.

Connect the unit to a standard energy supply network.

For a proper electrical connection, adjust the power ratings to the local circumstances and requirements.



Equipotential bonding terminal in electrical appliances is to connect exposed metal and conductive parts of electrical devices and other devices in electrical appliances with artificial or natural grounding conductors to reduce potential differences (reduce and prevent the risk of electric shock).

- This appliance is supplied unplugged and require hardwiring to a suitable electrical power supply. CU768 requires a 9200W 400V three-phase circuit at 50/60Hz
- Connect the wires correctly according to their colour coding. This appliance is wired as follows:

Wire colour	Wire function	To terminals of power supply
Yellow/green	Earth wire, protective conductor	Terminal marked E
Blue	Neutral wire, neutral conductor	Terminal marked N
Brown, grey and black	Live wires, Phase L1, L2, L3	Terminal marked L1, L2, L3

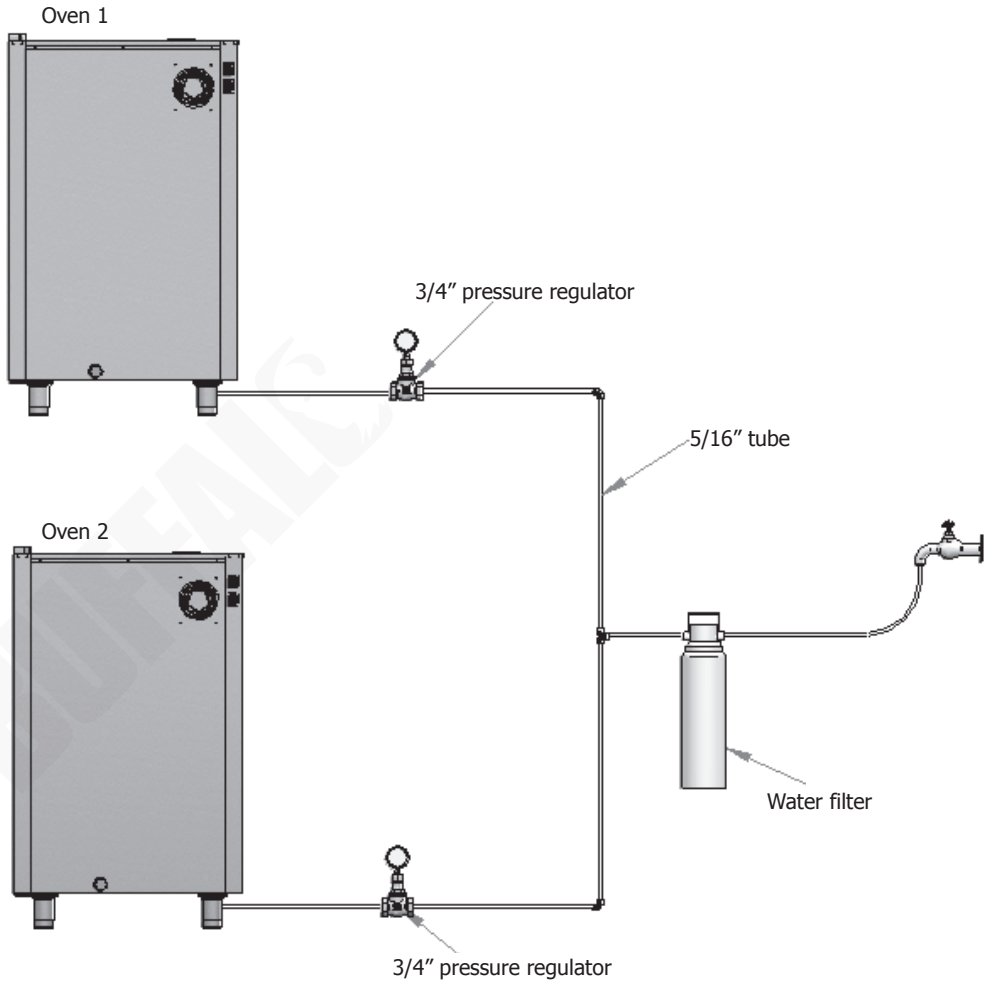
- The appliance must be earthed. If in doubt consult a qualified electrician.
- Electrical isolation points must be kept clear of any obstructions. In the event of any emergency disconnection being required they must be readily accessible.

Water inlet

The oven has a $\frac{3}{4}$ " connection for water inlet. The use of an anti-limescale filter at the water supply inlet and a check valve is highly recommended.

In addition, it is highly recommended to install a "digimeter" or a digital instrument to monitor the litres of water consumed by the oven, and thus to know when the filter is due to be changed.

Important: Before connecting the water supply, check that there are no residues in the pipe. The pressure of the incoming water should range between 2 and 3 bar, with temperature not higher than 30°C. If pressure is higher than these values, a pressure regulator at the inlet should be installed.



Operation

Before first time use, ensure to

- Clean the interior and the GN pans with soapy water. Let dry well.
- Let the appliance run at temperature 200°C for 30 minutes to burn off any manufacturing residues.

Cooking tips

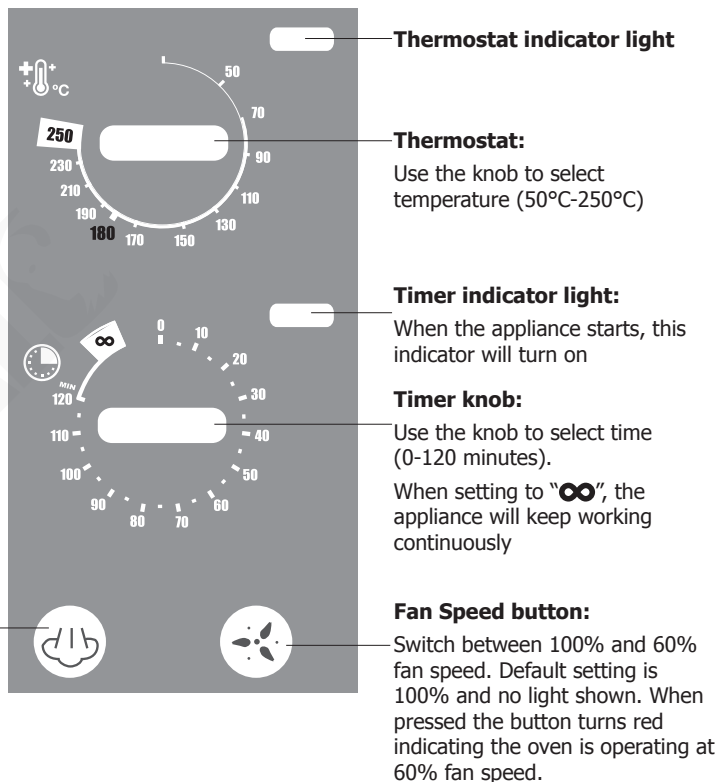
- Distance between trays: 68mm. A space of 40-60mm between food stuff on a same tray is recommended for efficient air flow.
- Buffalo recommend perforated aluminium trays for pastry and bakery, steel for gastronomy and grills for roast.
- Preheating the appliance for about 20 minutes is also recommended for optimal product finishes.

Control panel

Humidity button:

Humidity can be controlled by injecting water into the turbine and generating steam immediately to prevent food from drying out.

Press and hold the humidity button to inject steam. Release the button to stop.



Thermostat indicator light

Thermostat:

Use the knob to select temperature (50°C-250°C)

Timer indicator light:

When the appliance starts, this indicator will turn on

Timer knob:

Use the knob to select time (0-120 minutes).

When setting to "∞", the appliance will keep working continuously

Fan Speed button:

Switch between 100% and 60% fan speed. Default setting is 100% and no light shown. When pressed the button turns red indicating the oven is operating at 60% fan speed.

Cleaning, Care & Maintenance

- **Warning: Always turn off and disconnect the appliance from the power supply and water before cleaning and maintenance.**
- Always allow the appliance to cool before cleaning.
- Clean the interior of the appliance as often as possible.
- DO NOT use chemicals in a hot oven.
- Only use home-use cleaning products and a soft damp cloth to clean the outside coating. Do not use corrosive or irritating substances.
- For stains on the interior walls, wipe with a cloth dampened with some mild soapy solution.
- Always wipe dry after cleaning.



Caution:
Use rubber protection gloves and protection mask or goggles before manipulating chemical products.
The use of any unsuitable detergent or cleaning product may produce a bad finish or damages resulting in the device loss of warranty.
Please contact your Buffalo dealer directly to buy recommended products.

Cleaning all baking trays

- After use, remove the parts from the appliance for cleaning.
- Clean using warm, soapy water. Rinse thoroughly and dry well.
- Re-locate into the appliance.

Troubleshooting

A qualified technician must carry out repairs if required.

Fault	Probable Cause	Solution
The unit is not working	The unit is not switched on	Check the unit is hardwired correctly and switched on
	Lead is damaged	Replace lead
	Mains power supply fault	Check mains power supply
	Thermal cut-out switch is activated	Check that the appliance is safe then press the reset switch
The unit not working properly	Door not closed well	Close the door tightly
	Door micro-switch not working	Contact a qualified technician
Inappropriate baking	Unsuitable baking temperature/time	Adjust temperature/time
	Unsuitable humidity or fan speed	Adjust humidity or fan speed
Steam exhausts with the door closed	Door mechanism fault	Contact a qualified technician
	Incorrect placement of the joint	Place correctly. Should the problem persist, Contact a qualified technician
Interior lamp does not light up	Lamp failure	Replace the lamp

Technical Specifications

Note: Due to our continuous improvement process, the product specifications are subject to change without notice.

Model	Voltage	Power (max.)	Temperature Range	Net Product Dimensions H x W x D (mm)	Net weight
CU768	400V 3N~, 50/60Hz	9200W	50°C - 250°C	715 x 660 x 724	65kg

Warranty

This unit is supplied with a comprehensive manufacturers warranty.

The guarantee does not cover:

- Accidental damage, misuse or use not in accordance with the manufacturer's instructions
- Consumable items (such as filters, door seals, probes and hoses)
- Damage due to incorrect installation, modification, unauthorised service work or damage due to limescale, food debris build-up, etc.

Compliance

The WEEE logo on this product or its documentation indicates that the product must not be disposed of as household waste. To help prevent possible harm to human health and/or the environment, the product must be disposed of in an approved and environmentally safe recycling process. For further information on how to dispose of this product correctly, contact the product supplier, or the local authority responsible for waste disposal in your area.



Buffalo parts have undergone strict product testing in order to comply with regulatory standards and specifications set by international, independent, and federal authorities.

Buffalo products have been approved to carry the following symbol:



All rights reserved. No part of these instructions may be produced or transmitted in any form or by any means, electronic, mechanical, photocopying, recording or otherwise, without the prior written permission of Buffalo. Every effort is made to ensure all details are correct at the time of going to press, however, Buffalo reserves the right to change specifications without notice.

Veiligheidsinstructies

GEVAAR DOOR HOOGSPANNING!

Elektrische vereisten:

Schakel het apparaat altijd uit en haal de stekker uit het stopcontact voordat u het apparaat installeert, wanneer niet in gebruik en vóór reiniging en onderhoud/reparatie.

Dit apparaat mag alleen door een gekwalificeerde elektricien op het elektriciteitsnet worden aangesloten. Bekabel het apparaat aan een geschikte stroomvoorziening met de juiste spanning en voldoende stroomcapaciteit. Raadpleeg het typeplaatje op het apparaat voor de vereisten wat betreft spanning en wattage.

Sluit het apparaat aan op een circuit dat wordt beveiligd door een geschikte aardlekschakelaar (RCD).

Bevestig in geen enkel geval een stekker aan de kabel.

Het niet naleven van deze veiligheidsinstructies zal Buffalo ontheffen van elke verantwoordelijkheid en de garantie wordt ongeldig.

- Plaats het product op een vlakke en stabiele ondergrond.
- De installatie en eventuele reparaties dienen door een servicetechnicus/vaktechnicus te worden uitgevoerd. Verwijder geen enkel onderdeel op dit product.
- Raadpleeg de lokale en nationale normen om te voldoen aan het volgende:
 - Wetgeving van gezondheid en veiligheid op de werkplaats
 - BS EN-praktijkcodes
 - Voorzorgsmaatregelen tegen brand
 - IEE-bekabelingsvoorschriften
 - Bouwverordeningen

- Dompel het apparaat NIET onder in water.
- Maak het NIET schoon met hogedrukreinigers.
- Laat het apparaat tijdens gebruik NIET onbeheerd achter.
- Laat verpakkingsmateriaal niet binnen handbereik van kinderen. Dank verpakkingsmateriaal af in overeenstemming met de regelgeving van de plaatselijke autoriteiten.
- Dit apparaat is niet bedoeld voor gebruik door personen (waaronder kinderen) met lichamelijke, zintuiglijke of mentale beperkingen of met gebrek aan kennis en ervaring, tenzij zij hierin worden begeleid of zijn opgeleid in het gebruik van het apparaat door een persoon verantwoordelijk voor hun veiligheid.
- Houd kinderen onder toezicht zodat zij het apparaat niet als speelgoed gebruiken.
- Indien de stroomkabel beschadigd is geraakt, dient men deze door een Buffalo-technicus of een aanbevolen vaktechnicus te laten vervangen om gevaarlijke situaties te vermijden.
- Buffalo beveelt aan dat dit apparaat periodiek (minstens jaarlijks) door een bevoegd persoon wordt getest. Testen moeten omvatten, maar zijn niet beperkt tot: Visuele inspectie, polariteitstest, continuïteit van aarding, continuïteit van isolatie en functionele test.

Veiligheidsinstructies voor installatie en onderhoud

- Controleer of het apparaat is losgekoppeld van de stroom vóór de installatie of het onderhoud.
- Voordat u het apparaat installeert, moet u controleren of de installaties in overeenstemming zijn met de huidige wetgeving in het land van gebruik en de aanduidingen op het gegevensplaatje raadplegen.
- U mag de veiligheidsvoorzieningen van het apparaat niet manipuleren of loskoppelen. Dit zal de garantie ongeldig maken.
- Het niet naleven van de instructies van de fabrikant kan leiden tot schade, letsels of fatale ongevallen.

- Als de oven is geïnstalleerd op een voet bovenliggende onderdelen, gebruikt u alleen onderdelen die door Buffalo zijn geleverd en volgt u de montagerichtlijnen in de verpakking.
- Niet-originele reserveonderdelen garanderen geen correcte werking van het apparaat en zullen het verlies van de garantie met zich mee brengen.
- De oven mag alleen worden gebruikt door opgeleide gebruikers.
- Op het identificatieplaatje van de oven vindt u de benodigde technische informatie: voor reparatie en onderhoud. Vermijd daarom om het te verwijderen, beschadigen of wijzigen.

Veiligheidsinstructies voor gebruik

- Als het apparaat 6 maanden of langer niet zal worden gebruikt, moeten alle aansluitingen worden losgekoppeld/geïsoleerd (voeding en water). Als het al lange tijd is losgekoppeld, moet het worden gecontroleerd door een onderhoudstechnicus, bijv. voor stilstaand water enz.
- De oven mag alleen en exclusief worden gebruikt voor het doel waarvoor het werd ontworpen, d.w.z. voor bereidingsproducten zoals vers of diepgevroren brood, gebak en alle soorten gastronomische producten. Elk ander gebruik dan het vermelde gebruik, kan het apparaat beschadigen.
- Plaats geen producten met een hoog alcoholgehalte in de oven.
- De buiten- en binnenoppervlakken van de oven moeten regelmatig worden gereinigd om de hygiëne en een goede werking te garanderen. Gebruik geen schurende of brandbare producten die het apparaat kunnen beschadigen.
- Het is aanbevolen de gebruiks- en reinigingsinstructies van de fabrikant te volgen. Het gebruik van niet toegelaten producten kan schade veroorzaken.
- Het is aanbevolen een antikalkfilter te gebruiken op de watertoevoer. Anders kunnen sommige onderdelen van de oven schade oplopen. **Defecten die zijn veroorzaakt door kalkaanslag of watersediment vallen niet onder de garantie.**

Maximale laadcapaciteiten

Model	CAPACITEIT	MAXIMALE BELASTING	MAX. BELASTING PER REK
CU768	5 x (GN 1/1)	25kg	Maximaal 12,5kg per rek

- Overschrijd nooit de maximale laadcapaciteit om schade aan het apparaat te voorkomen. Het niet naleven van deze maximale laadwaarden zal Buffalo ontheffen van elke verantwoordelijkheid en de garantie wordt ongeldig.

Risico op brandwonden



- Lees deze waarschuwingen nauwgezet en volg de aanwijzingen wanneer de oven in werking is of niet volledig is afgekoeld.
- Raak alleen de bedieningselementen en de deurhandgreep aan. Vermijd het aanraken van andere externe elementen van de oven omdat ze temperaturen van meer dan 60°C kunnen halen.
- Draag thermische wanten of een soortgelijk beschermingsmiddel om houders of schalen in de ovenkamer te verplaatsen of te hanteren.
- Open de ovendeur langzaam en let op voor de dampen met hoge temperatuur die uit de ovenkamer komen.
- Ga niet direct boven de deur hangen bij het openen ervan.

Brandgevaar



- Gebruik alleen reinigingsproducten die zijn aanbevolen door de fabrikant. Het gebruik van andere producten kan het apparaat beschadigen en de garantie ongeldig maken.
- Als u het apparaat niet correct en zo vaak als nodig reinigt, zullen vet en voedselresten worden opgehoopt in de ovenkamer en ontbranden.

Verpakkingsinhoud

Het volgende is inbegrepen:

- Buffalo heteluchtoven
- Gebruikshandleiding

Buffalo is trots op kwaliteit en service en zorgt ervoor dat op het moment van uitpakken de inhoud volledig functioneel en vrij van schade wordt geleverd.

Mocht uw product tijdens transport zijn beschadigd, neem dan onmiddellijk contact op met uw Buffalo-dealer.

Transport

Voordat u het apparaat naar de installatielocatie vervoert, moet u controleren of:

- Het apparaat door de deur kan
- of de vloer bestand is tegen het gewicht

Transport mag uitsluitend worden uitgevoerd met mechanische middelen, zoals een palletwagen, en altijd op een pallet.

Installatie



Waarschuwing: Onjuiste installatie, bediening, onderhoud of reiniging van de apparatuur, evenals modificaties, kunnen leiden tot schade aan eigendommen en persoonlijk letsel. Lees en begrijp alle instructies volledig voorafgaand aan de installatie.

Niet geschikt voor ingebouwde installaties.

Voorafgaande handelingen

Verwijder de beschermende film van het apparaat. Reinig de resten van de kleefstof met een geschikt oplosmiddel. Gebruik nooit schurende of zuurhoudende producten of gereedschappen die het oppervlak kunnen beschadigen.

Het apparaat plaatsen

Plaats de oven op de gekozen werkplek en bewaar een veilige afstand zoals hieronder aangegeven. Controleer of het apparaat voldoende inlaten voor koude lucht via de ventilatioorosters heeft zodat een correcte werking wordt gegarandeerd. Anders kan het apparaat oververhitten en kunnen sommige onderdelen vernietigd worden.

- Als de oven wordt geïnstalleerd op een externe voet, moet deze hieraan worden bevestigd.
- De faciliteiten moeten geconditioneerd zijn en voldoen aan de geldende regelgevingen met betrekking tot veiligheid in installaties.
- Daarnaast moet het apparaat worden beschermd tegen atmosferische stoffen.
- De omgevingstemperatuur ligt binnen een bereik van 5°C tot maximum 35°C voor een correcte werking van het apparaat.
- De vochtigheidsgraad in de faciliteiten mag nooit hoger zijn dan 70%.



Max. 70%

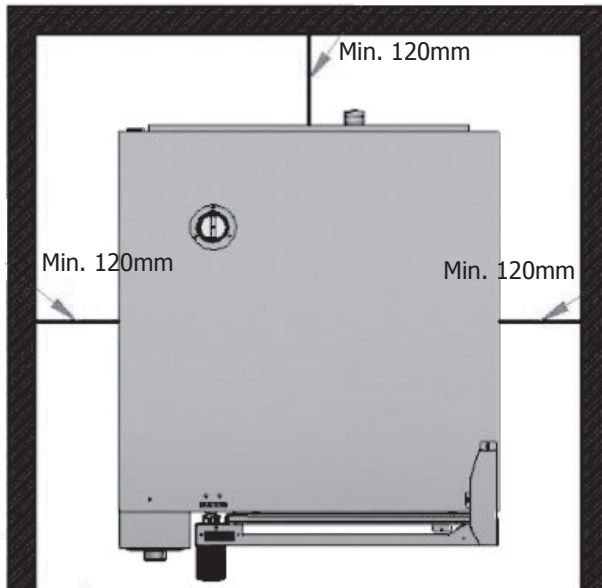


Max. 35°C

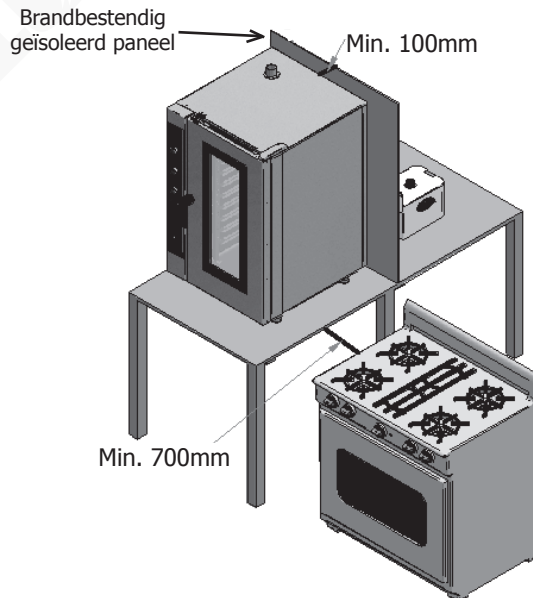
Min. 5°C

Wij raden u aan een opening te laten van 120mm voor reparaties. Als er warmtebronnen of brandbare elementen zijn, moet die veiligheidsafstand minstens 700mm zijn. Wij raden u aan te zorgen voor een goede ventilatie van het apparaat om oververhitting van de onderdelen te voorkomen.

Voorbeeld van het plaatsen van het apparaat zonder warmtebronnen in de buurt:



Voorbeeld van het plaatsen van het apparaat naast warmtebronnen:



Wij raden u aan een vrije werkruimte van ca. 500mm te behouden voor onderhoud.

Het apparaat opstarten

Volg de instructies in deze handleiding om het apparaat op de juiste manier op te starten en te installeren.

Denk eraan dat elke fout of breuk door een onjuiste installatie of inbedrijfstelling, de garantie ongeldig zal maken.

Elektrische bedrading



GEVAAR door elektrische schokken wegens onjuiste aansluiting

Er bestaat levensgevaar als de draden verkeerd worden aangesloten.

Aansluiting op een geschikte stroomvoorziening mag alleen worden uitgevoerd door een gekwalificeerde en competente elektrotechnicus.

Waarschuwing: De vaste bedrading van de voedingskabelaansluiting moet volgens de bedradersrichtlijnen zijn voorzien van een ontkoppelinrichting (aardlekschakelaar) met een contactafstand van groter dan 30mm.

Sluit het apparaat aan in overeenstemming met de geldende voorschriften van uw land, deelstaat, woonplaats of gemeente.

Sluit het apparaat aan op een standaard elektriciteitsnet.

Pas voor een goede elektrische aansluiting het vermogen aan de plaatselijke omstandigheden en vereisten aan.



Een potentiaalvereffeningsklem in elektrische apparaten is bedoeld om blootgestelde metalen en geleidende delen van elektrische apparaten en andere eenheden in elektrische apparaten te verbinden met kunstmatige of natuurlijke aardgeleiders om potentiaalverschillen te verminderen (het risico op elektrische schokken verminderen en voorkomen).

- Dit apparaat wordt losgekoppeld geleverd en moet worden aangesloten op een geschikte stroomvoorziening.
CU768 vereist een driefasig circuit van 9200W en 400V bij 50/60Hz
- Sluit de draden aan volgens hun kleurcodering. De bedrading van dit apparaat is als volgt:

Draadkleur	Draadfunctie	Naar voedingsklemmen
Geel/groen	Aarddraad, beschermende geleider	Klem met markering E
Blauw	Neutrale draad, neutrale geleider	Klem met markering N
Bruin, grijs en zwart	Stroomvoerende draden, fase L1, L2, L3	Klem met markering L1, L2, L3

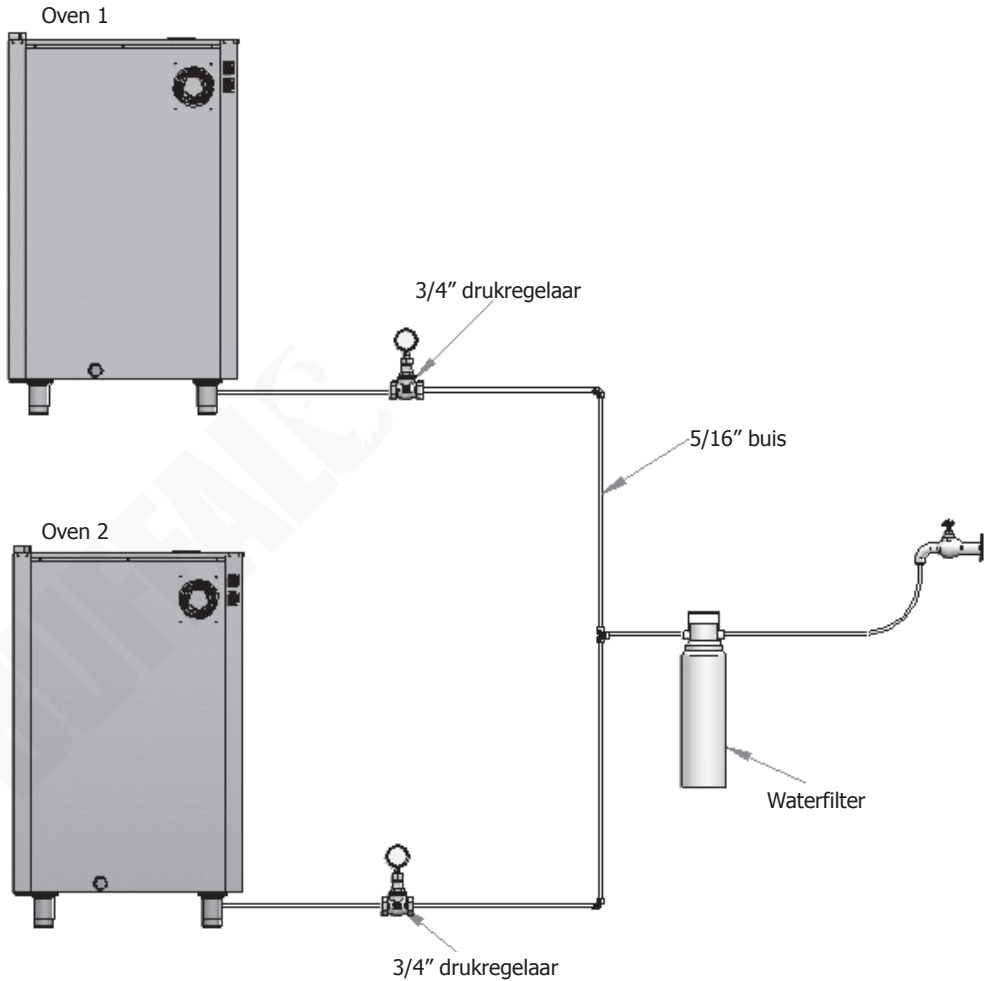
- Het apparaat moet worden geaard. Bij twijfels raadpleeg een vakkundige elektricien.
- De elektrische isolatiepunten mogen niet worden geblokkeerd. In geval van een nooduitschakeling moeten de isolatiepunten direct toegankelijk zijn.

Watertoevoer

De oven heeft een $\frac{3}{4}$ aansluiting voor de watertoevoer. Het gebruik van een antikalkfilter bij de waterinvoer en een controleklep is sterk aanbevolen.

Ook wordt zeer aanbevolen om een "digimeter" of een digitaal instrument te gebruiken om het aantal liters water dat de oven verbruikt te bewaken om te weten wanneer het filter vervangen moet worden.

Belangrijk: Voordat u de watertoevoer aansluit, moet u controleren of er geen resten in de leiding zitten. De druk van het inkomende water met tussen 2 en 3 bar liggen, en de temperatuur mag niet hoger zijn dan 30°C. Als de druk hoger is dan deze waarden, moet een drukregelaar worden geïnstalleerd bij de inlaat.



Bediening

Doe het volgende vóór het eerste gebruik

- Maak de binnenkant en de GN-pannen schoon met zeepsop. Goed laten drogen.
- Laat het apparaat 30 minuten op een temperatuur van 200°C draaien om eventuele productieresten te verbranden.

Bereidingstips

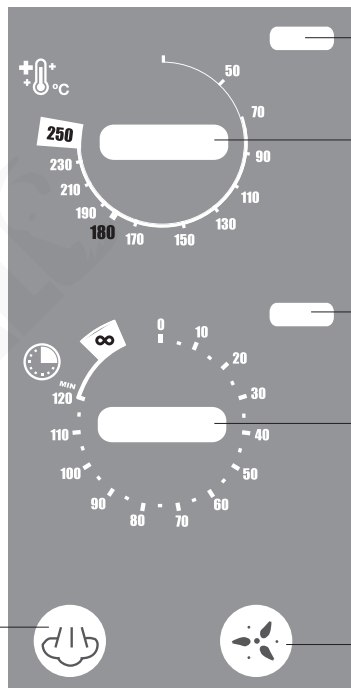
- Afstand tussen bakplaten: 68mm. Voor een efficiënte luchtstroom wordt een ruimte van 40-60mm tussen de etenswaren op dezelfde bakplaat aanbevolen.
- Buffalo raadt geperforeerde aluminium bakplaten aan voor brood en gebakjes, staal voor delicatessen en grills voor braadstukken.
- Er wordt ook aanbevolen het apparaat ongeveer 20 minuten voor te verwarmen voor een optimale productafwerking.

Bedieningspaneel

Vochtigheidsknop:

De vochtigheid kan worden beheerst door water in de turbine te injecteren en onmiddellijk stoom te genereren om te voorkomen dat voedsel uitdroogt.

Houd de vochtigheidsknop ingedrukt om stoom te injecteren. Laat de knop los om te stoppen.



Indicatorlampje thermostaat

Thermostaat:

Gebruik de knop om de temperatuur te selecteren (50°C - 250°C)

Indicatorlampje timer:

Wanneer het apparaat start, gaat dit lampje branden

Timerknop:

Gebruik de knop om de tijd te selecteren (0 - 120 minuten). Indien ingesteld op "∞" blijft het apparaat continu werken

Knop voor ventilatorsnelheid:

Schakel tussen een ventilatorsnelheid van 100% en 60%. De standaardinstelling is 100% en er gaat geen lampje branden. Wanneer er op de knop wordt gedrukt, wordt deze rood, wat aangeeft dat de oven werkt met een ventilatorsnelheid van 60%.

Reiniging, zorg & onderhoud

- **Waarschuwing: Schakel het apparaat uit en haal de stekker uit het stopcontact en de waterleiding voordat u reiniging en onderhoud uitvoert.**
- Laat het apparaat altijd afkoelen voordat u het reinigt.
- Maak het interieur van het apparaat zo vaak mogelijk schoon.
- Gebruik GEEN chemische producten in een oven.
- Gebruik alleen reinigingsproducten voor thuisgebruik en een zachte vochtige doek om de buitenkant van het apparaat schoon te maken. Gebruik geen bijtende of irriterende stoffen.
- Als er vlekken zijn op de binnenwanden, veegt u deze schoon met een doek, bevochtigd met een zachte zeepoplossing.
- Veeg altijd droog na het schoonmaken.



Opgelet:

Gebruik rubberen beschermende handschoenen en een gezichtsmasker of veiligheidsbril voordat u omgaat met chemische producten. Het gebruik van een ongeschikt afwas- of reinigingsmiddel kan leiden tot een slechte coating of schade waardoor de garantie op het apparaat ongeldig wordt. Neem rechtstreeks contact op met uw Buffalo-dealer om aanbevolen producten aan te schaffen.

Alle bakplaten reinigen

- Haal na gebruik de onderdelen uit het apparaat om ze schoon te maken.
- Reinigen met warm zeepwater. Grondig spoelen en drogen.
- Plaats het terug in het apparaat.

Probleemoplossing

Indien nodig moet een gekwalificeerde technicus reparaties uitvoeren.

Probleem	Mogelijke oorzaak	Oplossing
De eenheid werkt niet	Het apparaat staat uit	Controleer of het apparaat correct is bedraad en ingeschakeld
	Beschadigde kabel	Vervang de kabel
	Storing in de netvoeding	Controleer de netvoeding
	De thermische onderbreker is geactiveerd	Controleer of het apparaat veilig is en druk vervolgens op de resetschakelaar
Het apparaat werkt niet goed	Deur niet goed gesloten	Sluit de deur goed
	Deurmicroschakelaar werkt niet	Neem contact op met een bevoegde technicus
Niet goed gebakken	Ongeschikte baktemperatuur/-tijd	Pas temperatuur/tijd aan
	Ongeschikte vochtigheid of ventilatorsnelheid	Pas de vochtigheid of ventilatorsnelheid aan
Stoom komt vrij terwijl de deur gesloten is	Defect deurmechanisme	Neem contact op met een bevoegde technicus
	Onjuiste plaatsing van de verbinding	Plaats correct. Neem contact op met een bevoegde technicus als het probleem aanhoudt
Binnenlamp brandt niet	Defecte lamp	Vervang de lamp

Technische specificaties

Opmerking: Vanwege ons voortdurende verbeteringsproces, kunnen de productspecificaties zonder voorafgaande kennisgeving worden gewijzigd.

Model	Spanning	Vermogen (max.)	Temperatuurbereik	Afmetingen H x B x D (mm)	Netto gewicht
CU768	400V 3N~, 50/60Hz	9200W	50°C - 250°C	715 x 660 x 724	65kg

Garantie

Dit apparaat wordt geleverd met een uitgebreide garantie van de fabrikant.

De garantie dekt het volgende niet:

- Accidentele schade, verkeerd gebruik of gebruik dat niet overeenstemt met de instructies van de fabrikant
- Verbruiksproducten (zoals filters, deurafdichtingen, sondes en slangen)
- Schade door verkeerde installatie, wijziging, niet toegelaten onderhoudswerkzaamheden of schade door kalkaanslag, ophoping van voedingsafval enz.

Productconformiteit

Het WEEE-logo op dit product of in de bijbehorende documentatie geeft aan dat het product niet onder huisvuil valt en als zodanig ook niet mag worden verwerkt. Ter preventie van mogelijke gevaren voor de gezondheid van personen en/of voor het milieu, dient men dit product in overeenstemming met het voorgeschreven en milieuvriendelijke recyclingproces als afval te verwerken. Raadpleeg uw productleverancier of uw plaatselijk afvalverwerkingsbedrijf voor meer informatie over de juiste afvalverwerking van dit product.



De onderdelen van Buffalo-producten hebben strenge producttesten ondergaan om te voldoen aan wettelijke regels en specificaties die door internationale, onafhankelijke en landelijke overheden worden voorgeschreven.

Producten van Buffalo zijn goedgekeurd om het volgende symbool te dragen:



Alle rechten voorbehouden. Het is verboden om deze handleiding, hetzij volledig of gedeeltelijk, elektronisch of mechanisch te reproduceren, kopiëren, op opslagmedia op te slaan of op enigerlei wijze over te dragen, zonder voorafgaande goedkeuring van Buffalo.

Wij hebben er alles aan gedaan om er zeker van te zijn dat op publicatiedatum van de handleiding alle details correct zijn, desondanks, behoudt Buffalo het recht voor om specificaties zonder aankondiging te wijzigen.

Consignes de sécurité

DANGER DE HAUTE TENSION !

Exigences électriques :

Veillez à toujours éteindre et débrancher l'appareil avant de l'installer, lorsqu'il n'est pas utilisé, avant de le nettoyer et d'en assurer le suivi ou l'entretien.

Cet appareil ne doit être branché sur le réseau électrique que par un électricien qualifié. Raccordez l'appareil à une source d'alimentation appropriée, avec une tension correcte et une capacité de puissance suffisante. Reportez-vous à la plaque signalétique de l'appareil pour connaître les exigences en matière de tension et de puissance.

Branchez l'appareil sur un circuit protégé par un disjoncteur différentiel approprié.

Ne mettez en aucun cas une fiche sur le câble.

En cas de non-respect de ces consignes de sécurité, Buffalo sera dégagé de toute responsabilité et la garantie sera nulle et non avenue.

- Placez l'appareil sur une surface plane, stable.
- L'installation et les éventuelles réparations doivent être confiées à un dépanneur/technicien qualifié. Ne retirez aucun élément de ce produit.
- Consultez les normes locales et nationales pour vous conformer à ce qui suit :
 - lois sur l'hygiène et la sécurité au travail
 - codes de bonnes pratiques BS EN
 - précautions contre le risque d'incendie
 - réglementations sur les branchements électriques IEE
 - règlements sur la construction

- NE plongez PAS l'appareil dans l'eau.
- NE nettoyez PAS avec des nettoyeurs à jet ou à pression.
- NE laissez PAS l'appareil sans surveillance pendant son fonctionnement.
- Gardez les emballages hors de portée des enfants. Débarrassez-vous des emballages conformément aux réglementations des autorités locales.
- Cet appareil n'a pas été conçu pour être utilisé par des personnes (enfants inclus) à capacités physiques, sensorielles ou mentales réduites ou ne disposant pas d'une expérience ou de connaissances suffisantes, à moins que lesdites personnes n'aient été formées ou instruites quant à son utilisation, par une personne responsable de leur sécurité.
- Les enfants doivent être surveillés pour s'assurer qu'ils ne jouent pas avec l'appareil.
- Un cordon d'alimentation endommagé doit être remplacé par un agent Buffalo ou un technicien qualifié recommandé, pour éviter tout danger.
- Buffalo recommande de faire tester régulièrement cet appareil (une fois par an au minimum) par une personne compétente. Les tests doivent inclure, sans s'y limiter, les éléments suivants : inspection visuelle, test de polarité, continuité de la terre, continuité de l'isolation et test fonctionnel.

Consignes de sécurité pour l'installation et l'entretien

- Avant de procéder à l'installation ou à l'entretien, vérifiez que l'appareil est débranché de l'alimentation électrique.
- Avant d'installer l'appareil, vérifiez que les installations sont conformes à la législation en vigueur dans le pays d'utilisation et reportez-vous aux indications figurant sur la plaque signalétique.
- Ne manipulez pas ou ne déconnectez pas les dispositifs de sécurité de l'appareil. Cela annulerait la garantie.
- En cas de non-respect des instructions du fabricant, il peut en résulter des dommages, des blessures ou des accidents mortels.

- Si le four est installé sur des supports ou des pièces de recouvrement, utilisez uniquement ceux fournis par Buffalo et suivez les instructions d'assemblage figurant à l'intérieur de l'emballage.
- L'utilisation de pièces de rechange non originales ne garantit pas le bon fonctionnement de l'appareil et entraîne la perte de la garantie.
- Le four ne doit être utilisé que par du personnel qualifié.
- La plaque signalétique du four fournit les informations techniques nécessaires à la réparation et à l'entretien. Évitez donc de la retirer, de l'endommager ou de la modifier.

Consignes de sécurité pour l'utilisation

- Si l'appareil n'est pas utilisé pendant 6 mois ou plus, tous les raccords doivent être déconnectés/isolés (alimentation électrique et eau). Si le four a été débranché pendant une longue période, il doit être vérifié par un technicien, par exemple pour détecter la présence d'eau stagnante, etc.
- Le four doit être utilisé uniquement et exclusivement pour l'usage pour lequel il a été conçu, c'est-à-dire pour la cuisson de produits tels que le pain frais ou surgelé, les pâtisseries et tous les types de produits gastronomiques. Toute utilisation autre que celle mentionnée peut endommager l'appareil.
- Ne mettez pas de produits à forte concentration d'alcool dans le four.
- Les surfaces extérieures et intérieures du four doivent être nettoyées fréquemment afin de garantir l'hygiène et le bon fonctionnement de l'appareil. N'utilisez pas de produits abrasifs ou inflammables, susceptibles d'endommager l'appareil.
- Il est recommandé de suivre les instructions d'utilisation et de nettoyage du fabricant. L'utilisation de produits non autorisés peut entraîner des dommages.
- Il est recommandé d'utiliser un filtre anti-calcaire à l'entrée d'alimentation en eau. À défaut, certains composants du four pourraient être endommagés. **Les défaillances liées au calcaire ou à la sédimentation de l'eau ne sont pas couvertes par la garantie.**

Charges maximales

Modèle	CAPACITÉ	CHARGE MAXIMALE	CHARGE MAXIMALE PAR ÉTAGÈRE
CU768	5 x (GN 1/1)	25 kg	12,5 kg maximum par étagère

- Ne dépassez jamais la capacité de charge maximale afin d'éviter d'endommager l'appareil. En cas de non-respect de ces valeurs de charge maximale, Buffalo sera déchargé de toute responsabilité et la garantie sera nulle et non avenue.

Risque de brûlures



- Lisez attentivement ces avertissements et suivez ses indications lorsque le four fonctionne ou n'est pas complètement refroidi.
- Ne touchez que les commandes de l'appareil et la poignée de la porte. Évitez de toucher les autres éléments externes du four, car ils peuvent atteindre des températures supérieures à 60 °C.
- Portez des gants thermiques ou des gants similaires pour déplacer ou manipuler des récipients ou des plateaux à l'intérieur de la chambre de cuisson.
- Ouvrez lentement la porte du four et faites attention aux vapeurs à haute température qui s'échappent de la chambre de cuisson.
- Évitez de vous tenir directement au-dessus de la porte lorsque vous l'ouvrez.

Risque d'incendie



- N'utilisez que les produits de nettoyage recommandés par le fabricant. L'utilisation d'autres produits peut endommager l'appareil et annuler la garantie.
- Si l'appareil n'est pas nettoyé correctement et aussi souvent que nécessaire, la graisse et les restes d'aliments finiront par s'accumuler dans la chambre de cuisson et pourront s'enflammer.

Contenu de l'emballage

Les éléments suivants sont inclus :

- Four à convection Buffalo
- Mode d'emploi

Buffalo attache une grande importance à la qualité et au service et veille à fournir des produits en parfait état opérationnel, parfaitement intacts au moment de l'emballage.

Nous vous prions de contacter votre revendeur Buffalo immédiatement si vous constatez un dommage quelconque survenu pendant le transport du produit.

Transport

Avant de transporter l'appareil vers l'endroit où il sera installé, assurez-vous que :

- l'appareil passe par la porte
- le sol supporte son poids

Le transport doit être effectué uniquement et exclusivement par des moyens mécaniques, tels qu'un transpalette, et toujours sur une palette.

Installation



Avertissement : L'installation, l'utilisation, l'entretien ou le nettoyage incorrects de l'appareil, ainsi que toute modification, peuvent entraîner des dommages matériels et corporels. Lisez attentivement et assurez-vous d'avoir bien compris toutes les instructions avant d'installer l'appareil.

L'appareil n'est pas adapté aux installations encastrées.

Opérations préliminaires

Retirez le film de protection de l'appareil. Nettoyez les résidus de colle avec un solvant approprié. N'utilisez jamais de produits abrasifs ou acides, ni d'outils susceptibles d'endommager la surface.

Mise en place de l'appareil

Posez le four sur le lieu de travail choisi et maintenez une distance de sécurité comme indiqué ci-dessous. Vérifiez que l'appareil dispose de suffisamment d'entrées d'air froid par les grilles de ventilation pour assurer son bon fonctionnement. Si tel n'est pas le cas, l'appareil peut surchauffer et certains de ses composants peuvent être détruits.

- Si le four est installé sur un support auxiliaire, il doit y être fixé.
- Les installations doivent être conditionnées et répondre aux normes en vigueur en matière de sécurité des installations.
- En outre, l'appareil doit être protégé des agents atmosphériques.
- La température ambiante doit être comprise entre 5 °C et 35 °C maximum pour un fonctionnement correct de l'appareil.
- L'humidité dans les installations ne doit jamais dépasser 70%.



Max. 70%

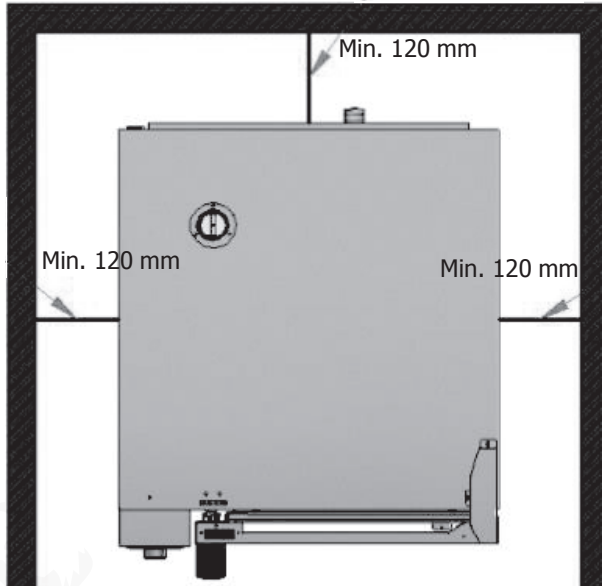


Max. 35 °C

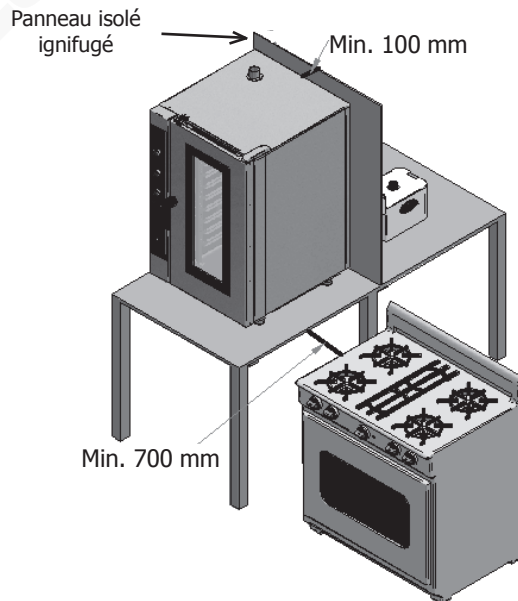
Min. 5 °C

Nous recommandons de laisser un espace de 120 mm pour les réparations. S'il existe des sources de chaleur ou des éléments combustibles, cette distance de sécurité doit être de 700 mm au minimum. Nous recommandons également d'assurer une bonne ventilation de l'appareil afin d'éviter la surchauffe de ses composants.

Exemple de placement de l'appareil sans source de chaleur à proximité :



Exemple de placement de l'appareil à proximité de sources de chaleur :



Nous recommandons de laisser un espace de travail libre d'environ 500 mm pour les opérations de maintenance.

Démarrage de l'appareil

Pour démarrer et installer correctement l'appareil, respectez les instructions de ce manuel d'instructions.

Rappelez-vous que tout défaut ou toute cassure résultant d'une installation ou d'un démarrage incorrect(e) rendra la garantie nulle et non avenue.

Raccordement électrique



RISQUE d'électrocution en cas de mauvais branchement

Un mauvais branchement des fils peut entraîner un danger de mort.

Le branchement à une alimentation électrique appropriée ne doit être effectué que par un ingénieur électricien qualifié et compétent.

Avertissement : Le câblage fixe du branchement du cordon d'alimentation doit être équipé d'un dispositif de débranchement (interrupteur de protection contre les fuites) dont la distance de contact est supérieure à 30 mm, conformément aux règles de câblage.

Branchez l'appareil conformément aux réglementations en vigueur dans votre pays, État fédéral, ville ou autorité locale.

Branchez l'appareil sur un réseau d'alimentation électrique standard.

Pour un branchement électrique correct, adaptez les puissances nominales aux conditions et exigences locales.



La borne de connexion équipotentielle des appareils électriques sert à relier les parties métalliques et conductrices exposées des appareils électriques et d'autres dispositifs des appareils électriques à des conducteurs de terre artificiels ou naturels afin de réduire les différences de potentiel (réduire et prévenir le risque d'électrocution).

- Cet appareil est livré non branché et doit être raccordé à une source d'alimentation électrique appropriée. Le modèle CU768 nécessite un circuit triphasé de 9200 W 400 V à 50/60 Hz
- Branchez les fils correctement en respectant leur code couleur. Cet appareil est câblé comme suit :

Couleur des fils	Fonction du fil	Vers les bornes de l'alimentation électrique
Jaune/vert	Fil de terre, conducteur de protection	Borne marquée E
Bleu	Fil neutre, conducteur neutre	Borne marquée N
Marron, gris et noir	Fils sous tension, phase L1, L2, L3	Borne marquée L1, L2, L3

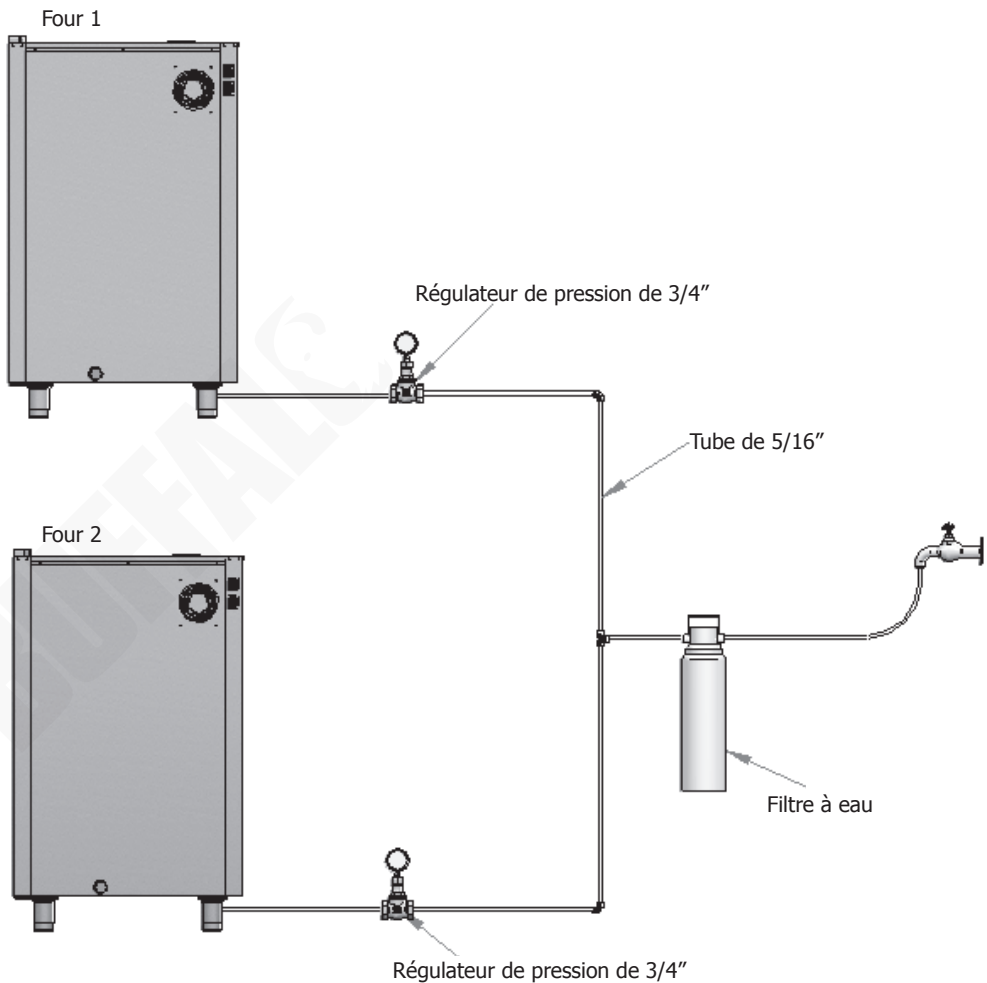
- L'appareil doit être en contact avec la terre. En cas de doute, consultez un électricien qualifié.
- Les points d'isolation électrique doivent être libres de toute obstruction. En cas de débranchement requis en urgence, ils doivent être facilement accessibles.

Entrée d'eau

Le four est équipé d'un raccord $\frac{3}{4}$ pour l'entrée d'eau. L'utilisation d'un filtre anti-calcaire à l'entrée d'alimentation en eau et d'un clapet anti-retour est fortement recommandée.

En outre, il est fortement recommandé d'installer un « digimètre » ou un instrument numérique qui permettra de contrôler les litres d'eau consommés par le four, et par conséquent de savoir à quel moment le filtre doit être remplacé.

Important : Avant de raccorder l'alimentation en eau, vérifiez qu'il n'y a pas de résidus dans le tuyau. La pression de l'eau entrante doit être comprise entre 2 et 3 bars, et la température ne doit pas être supérieure à 30 °C. Si la pression est supérieure à ces valeurs, il convient d'installer un réducteur de pression à l'entrée.



Fonctionnement

Avant d'utiliser l'appareil pour la première fois, assurez-vous de :

- Nettoyer l'intérieur et les bacs GN avec de l'eau savonneuse. Laissez bien sécher.
- Faire fonctionner l'appareil à une température de 200 °C pendant 30 minutes afin de brûler les éventuels résidus de fabrication.

Conseils de cuisson

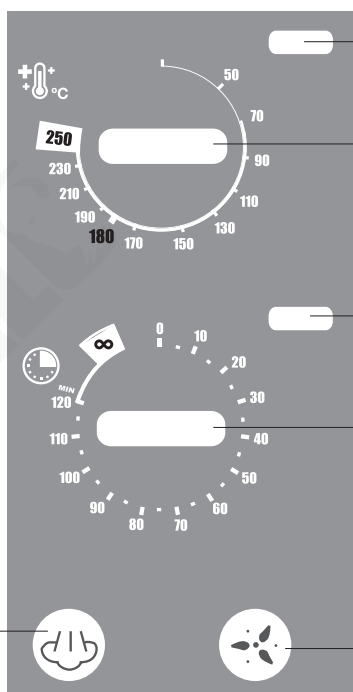
- Distance entre les plateaux : 68 mm. Il est recommandé de laisser un espace de 40-60 mm entre les aliments d'un même plateau afin de permettre que l'air circule efficacement.
- Buffalo recommande les plateaux perforés en aluminium pour la pâtisserie et la boulangerie, les plateaux en acier pour la gastronomie et les grilles pour le rôtissage.
- Il est également recommandé de préchauffer l'appareil pendant environ 20 minutes pour une finition optimale des produits.

Panneau de contrôle

Bouton d'humidité :

L'humidité peut être contrôlée en injectant de l'eau dans la turbine et en générant immédiatement de la vapeur pour empêcher les aliments de se dessécher.

Appuyez sur le bouton d'humidité et maintenez-le enfoncé pour injecter de la vapeur. Relâchez le bouton pour arrêter.



Indicateur du thermostat

Thermostat :

Utilisez le bouton pour sélectionner la température (entre 50 °C et 250 °C)

Indicateur du minuteur :

Lorsque l'appareil démarre, cet indicateur s'allume

Bouton de minuterie :

Utilisez le bouton pour sélectionner la durée (entre 0 et 120 minutes).

Lorsque le réglage est sur « ∞ », l'appareil continue à fonctionner en continu.

Bouton de vitesse du ventilateur :

Il permet de basculer entre une vitesse de ventilateur de 100% et de 60%. Le réglage par défaut est de 100% et aucun voyant n'est allumé. Lorsqu'il est enfoncé, le bouton devient rouge, indiquant que le four fonctionne à une vitesse de ventilateur de 60%.

Nettoyage, entretien et maintenance

- **Avertissement : Avant de procéder au nettoyage et à l'entretien de l'appareil, veillez à toujours l'éteindre et à le débrancher de l'alimentation électrique et de l'eau.**
- Laissez toujours l'appareil refroidir avant de le nettoyer.
- Nettoyez l'intérieur de l'appareil aussi souvent que possible.
- N'utilisez PAS de produits chimiques pour nettoyer un four chaud.
- N'utilisez que des produits de nettoyage domestiques et un chiffon doux et humide pour nettoyer le revêtement extérieur. N'utilisez pas de substances corrosives ou irritantes.
- Pour les taches sur les murs intérieurs, essuyez-les avec un chiffon imbibé d'une solution savonneuse douce.
- Essuyez toujours le congélateur après l'avoir nettoyé.



Attention :

Utilisez des gants de protection en caoutchouc et un masque ou des lunettes de protection avant de manipuler les produits chimiques.

L'utilisation d'un détergent ou d'un produit de nettoyage inadapté peut entraîner une détérioration de la finition ou des dommages ayant pour conséquence la perte de la garantie de l'appareil.

Contactez directement votre revendeur Buffalo pour acheter les produits recommandés.

Nettoyage de tous les plateaux de cuisson

- Après utilisation, retirez les pièces de l'appareil pour les nettoyer.
- Nettoyez-le à l'eau chaude et savonneuse. Rincez abondamment et séchez bien.
- Remettez-la en place dans l'appareil.

Dépannage

Un technicien qualifié doit effectuer les réparations si nécessaire.

Dysfonctionnement	Cause probable	Intervention
L'appareil ne fonctionne pas	Le congélateur n'est pas allumé	Vérifiez que l'appareil est correctement câblé et allumé
	Le câble est endommagé	Remplacer le câble
	Dysfonctionnement de l'alimentation secteur	Vérifier l'alimentation secteur
	Le coupe-circuit thermique est activé	Vérifier que l'appareil est en sécurité, puis appuyer sur l'interrupteur de réinitialisation
L'appareil ne fonctionne pas correctement	La porte ne se ferme pas bien	Fermer complètement la porte
	Le micro-interrupteur de la porte ne fonctionne pas	Contactez un technicien qualifié
Cuisson inappropriée	Température/temps de cuisson inadaptés	Ajuster la température/le temps
	Humidité ou vitesse du ventilateur inadaptée	Régler l'humidité ou la vitesse du ventilateur
La vapeur s'échappe lorsque la porte est fermée	Défaillance du mécanisme de la porte	Contactez un technicien qualifié
	Positionnement incorrect du raccord	Positionner correctement. Si le problème persiste, contactez un technicien qualifié
La lampe intérieure ne s'allume pas	Défaillance de la lampe	Remplacer la lampe

Spécifications techniques

Remarque : raison de notre processus d'amélioration continue, les spécifications des produits sont susceptibles d'être modifiées sans préavis.

Modèle	Tension	Puissance (max.)	Plage de température	Dimensions H x L x P (mm)	Poids net
CU768	400 V 3 N~, 50/60 Hz	9200 W	50 °C - 250 °C	715 x 660 x 724	65 kg

Garantie

Cet appareil est fourni avec une garantie complète du fabricant.

La garantie ne couvre pas :

- les dommages accidentels, la mauvaise utilisation ou l'utilisation non conforme aux instructions du fabricant
- les articles consommables (tels que les filtres, les joints de porte, les sondes et les tuyaux)
- les dommages dus à une installation incorrecte, à une modification, à des travaux d'entretien non autorisés ou les dommages dus au calcaire, à l'accumulation de débris d'aliments, etc.

Conformité

Le logo DEEE qui figure sur ce produit ou sa documentation indique qu'il ne doit pas être mis au rebut avec les ordures ménagères. Pour éviter qu'il ne présente un risque pour la santé humaine et/ou l'environnement, confiez la mise au rebut de ce produit à un site de recyclage agréé respectueux de l'environnement. Pour de plus amples détails sur la mise au rebut appropriée de ce produit, contactez le fournisseur du produit ou l'autorité responsable de l'enlèvement des ordures dans votre région.



Les pièces Buffalo ont été soumises à des tests rigoureux pour pouvoir être déclarées conformes aux normes et spécifications réglementaires définies par les autorités internationales, indépendantes et fédérales.

Les produits Buffalo ont été déclarés aptes à porter le symbole suivant :



Tous droits réservés. La production ou transmission, partielle ou intégrale, sous quelque forme que ce soit ou par n'importe quel moyen, tant électronique que mécanique, sous forme de photocopie, d'enregistrement ou autre de ce mode d'emploi sont interdites sans l'autorisation préalablement accordée par Buffalo.

Nous nous efforçons, par tous les moyens dont nous disposons, de faire en sorte que les détails contenus dans le présent mode d'emploi soient corrects en date d'impression. Toutefois, Buffalo se réserve le droit de changer les spécifications de ses produits sans préavis.

Sicherheitshinweise

GEFAHR HOHER SPANNUNG!

Elektrische Anforderungen:

Schalten Sie das Gerät vor der Installation, bei längerer Nichtbenutzung, vor der Reinigung und vor der Wartung/ Reparatur immer aus und trennen Sie die Stromversorgung.

Dieses Gerät sollte ausschließlich von einem qualifizierten Elektriker an die Stromversorgung angeschlossen werden. Verdrahten Sie das Gerät in einer geeigneten Stromversorgung mit der richtigen Spannung und ausreichender Leistung. Beachten Sie bezüglich der Spannungs- und Wattanforderungen die Angaben am Typenschild.

Schließen Sie das Gerät an einen Stromkreis an, der durch einen geeigneten FI-Schalter abgesichert ist.

Bringen Sie unter keinen Umständen einen Stecker am Kabel an.

Das Nichtbeachten dieser Sicherheitshinweise entbindet Buffalo von jeglicher Verantwortung und die Garantie wird ungültig.

- Auf eine flache, stabile Fläche stellen.
- Alle erforderlichen Installations- und Reparaturarbeiten sollten von Wartungspersonal oder einem qualifizierten Techniker durchgeführt werden. Entfernen Sie keine Komponenten von diesem Gerät.
- Für folgende Normen und Vorschriften sind die lokalen und nationalen Normen heranzuziehen:
 - Arbeitsschutzvorschriften
 - BS EN Verhaltenspraktiken
 - Brandschutzvorschriften
 - IEE-Anschlussvorschriften
 - Bauvorschriften

- Gerät NICHT in Wasser eintauchen.
- NICHT mit Wasserstrahl/Hochdruckreiniger reinigen.
- Gerät während des Betriebs NICHT unbeaufsichtigt lassen.
- Halten Sie alle Verpackungsteile von Kindern fern. Entsorgen Sie die Verpackung gemäß den Vorschriften der örtlichen Behörden.
- Dieses Gerät ist nicht für die Benutzung durch Personen (einschließlich Kindern) mit eingeschränkten körperlichen, sensorischen oder mentalen Fähigkeiten oder einem Mangel an Erfahrung und Wissen ausgelegt, sofern sie nicht von einer für ihre Sicherheit verantwortlichen Person beaufsichtigt werden oder in der Verwendung des Gerätes unterwiesen wurden.
- Kinder müssen beaufsichtigt werden, um sicherzustellen, dass sie nicht mit dem Gerät spielen.
- Aus Sicherheitsgründen muss ein beschädigtes Stromkabel von einem Buffalo-Mitarbeiter oder empfohlenen qualifizierten Elektriker erneuert werden.
- Buffalo empfiehlt, dass dieses Gerät regelmäßig (wenigstens jährlich) von einem Fachmann überprüft wird. Die Prüfung sollte unter anderem Folgendes beinhalten: Visuelle Inspektion, Polaritätstest, Erddurchgängigkeit, Isolierdurchgängigkeit und Funktionsprüfung.

Sicherheitshinweise für Installation und Wartung

- Stellen Sie vor der Installation oder Wartung sicher, dass das Gerät von der Stromversorgung getrennt ist.
- Stellen Sie vor dem Installieren des Geräts sicher, dass die Installation den geltenden Vorschriften des Landes entspricht, in dem das Gerät verwendet wird, und beachten Sie die Angaben auf dem Typenschild.
- Sie dürfen die Sicherheitsvorrichtungen des Geräts nicht manipulieren oder abschalten. Dies führt zum Erlöschen der Garantie.
- Das Nichtbeachten der Anweisungen des Herstellers kann zu Schäden, Verletzungen oder tödlichen Unfällen führen.

- Wenn der Ofen auf Stützen oder sich überlagernden Teilen installiert wird, verwenden Sie nur die von Buffalo gelieferten Teile und befolgen Sie die Montageanweisungen in der Verpackung.
- Nicht originale Ersatzteile gewährleisten keinen korrekten Betrieb des Geräts und führen zum Verlust der Garantie.
- Der Ofen darf nur von geschulten Bedienern verwendet werden.
- Das Typenschild des Ofens enthält die für Reparatur und Wartung notwendigen technischen Informationen. Deswegen sollten Sie es nicht entfernen, beschädigen oder verändern.

Sicherheitshinweise für die Verwendung

- Wenn das Gerät 6 Monate oder länger nicht benutzt wird, müssen alle Anschlüsse getrennt/isoliert werden (Stromversorgung und Wasser). Wenn das Gerät bereits längere Zeit vom Strom getrennt war, sollte es von einem Servicetechniker überprüft werden, z. B. auf stehendes Wasser usw.
- Der Ofen darf nur und ausschließlich für den Zweck verwendet werden, für den er entwickelt wurde, d. h. zum Backen von Produkten wie frischem oder tiefgekühltem Brot, Gebäck und allen Arten von gastronomischen Produkten. Jede andere Verwendung kann das Gerät beschädigen.
- Legen Sie keine Produkte mit einer hohen Alkoholkonzentration in den Ofen.
- Die Außen- und Innenoberflächen des Ofens sollten regelmäßig gereinigt werden, um Hygiene und einwandfreie Funktion sicherzustellen. Verwenden Sie keine scheuernden oder brennbaren Produkte, die das Gerät beschädigen könnten.
- Es wird empfohlen, die Gebrauchs- und Reinigungsanweisungen des Herstellers zu befolgen. Die Verwendung von nicht zugelassenen Produkten kann zu Schäden führen.
- Es wird empfohlen, am Wasserzulauf einen Anti-Kalk-Filter zu verwenden. Anderenfalls können einige Bauteile des Ofens beschädigt werden. **Durch Kalk oder Wasserablagerungen verursachte Defekte fallen nicht unter die Garantie.**

Maximallasten

Modell	KAPAZITÄT	MAXIMALLAST	MAX. LAST JE GESTELL
CU768	5 x (GN 1/1)	25 kg	Maximal 12,5 je Gestell

- Überschreiten Sie niemals die maximale Belastbarkeit, um eine Beschädigung des Geräts zu vermeiden. Das Nichtbeachten dieser maximalen Belastungswerte entbindet Buffalo von jeglicher Verantwortung und führt zum Erlöschen der Garantie.

Verbrennungsgefahr

- Lesen und befolgen Sie diese Warnhinweise sorgfältig, wenn der Ofen in Betrieb oder noch nicht vollständig abgekühlt ist.
- Berühren Sie das Gerät nur an den Bedienelementen und am Türgriff. Vermeiden Sie das Berühren anderer externer Elemente des Ofens, da diese Temperaturen von mehr als 60 °C erreichen können.
- Tragen Sie Thermohandschuhe oder ähnliches, um Behälter oder Bleche im Inneren des Garraums zu bewegen oder zu handhaben.
- Öffnen Sie die Ofentür langsam und achten Sie dabei auf die Dämpfe, die bei hohen Temperaturen aus dem Garraum austreten.
- Stehen Sie beim Öffnen nicht direkt über der Tür.

Brandgefahr

- Verwenden Sie nur die vom Hersteller empfohlenen Reinigungsmittel. Das Verwenden anderer Produkte kann das Gerät beschädigen und zum Erlöschen der Garantie führen.
- Wenn Sie das Gerät nicht ordnungsgemäß und so oft wie nötig reinigen, können sich Fett und Speisereste im Garraum ansammeln und entzünden.

Lieferumfang

Folgendes ist im Lieferumfang enthalten:

- Buffalo-Konvektionsofen
- Bedienungsanleitung

Buffalo ist stolz auf die hochwertige Qualität seiner Produkte und seinen erstklassigen Service. Wir stellen sicher, dass alle gelieferten Produkte zum Zeitpunkt der Verpackung voll funktionsfähig sind und sich in einwandfreiem Zustand befinden.

Sollten Sie Transportschäden feststellen, wenden Sie sich bitte unverzüglich an Ihren Buffalo-Händler.

Transport

Stellen Sie vor dem Transport des Geräts zum Installationsort Folgendes sicher:

- Es passt durch die Tür
- Der Boden hält dem Gewicht des Geräts stand

Der Transport sollte nur und ausschließlich mit mechanischen Hilfsmitteln, wie z. B. einem Hubwagen, und immer auf einer Palette erfolgen.

Installation



Warnung: Unsachgemäße Installation, Benutzung, Wartung oder Reinigung des Gerätes sowie Modifikationen können Sachschäden und Verletzungen verursachen. Vor der Installation müssen alle Anweisungen vollständig gelesen und verstanden werden.

Nicht geeignet für Einbauinstallationen.

Vorbereitende Maßnahmen

Entfernen Sie die Schutzfolie vom Gerät. Reinigen Sie die Kleberückstände mit einem geeigneten Lösungsmittel. Verwenden Sie niemals scheuernde beziehungsweise säurehaltige Produkte oder Werkzeuge, die die Oberfläche beschädigen könnten.

Aufstellen des Geräts

Stellen Sie das Gerät am gewählten Arbeitsplatz auf und halten Sie einen Sicherheitsabstand ein, wie er unten angegeben ist. Vergewissern Sie sich, dass das Gerät über ausreichende Kaltluftzufuhr durch die Lüftungsöffnungen verfügt, um einen ordnungsgemäßen Betrieb sicherzustellen. Anderenfalls kann sich das Gerät überhitzen und es können einige Bauteile zerstört werden.

- Wenn der Backofen auf einem zusätzlichen Gestell installiert wird, muss er daran festgemacht werden.
- Die jeweiligen Räume müssen vorbereitet sein und den geltenden Vorschriften für Installationssicherheit entsprechen.
- Außerdem muss das Gerät vor Witterungseinflüssen geschützt werden.
- Die Umgebungstemperatur muss zwischen 5 °C und maximal 35 °C liegen, damit das Gerät richtig funktioniert.
- Die Luftfeuchtigkeit in den Räumen darf 70% nicht überschreiten.



Max. 70%

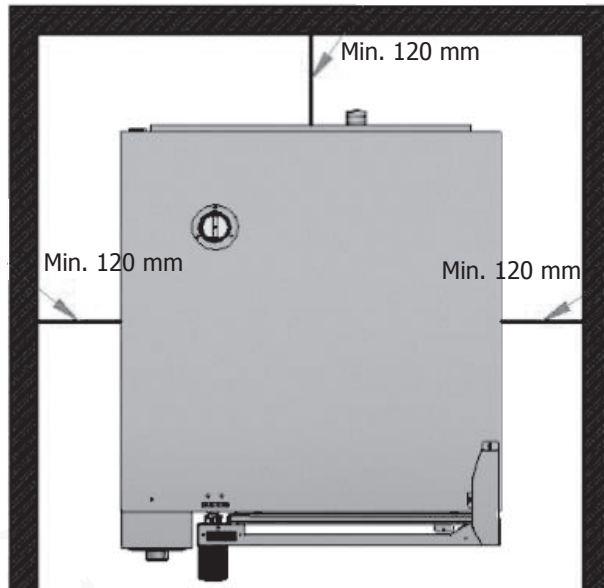


Max. 35 °C

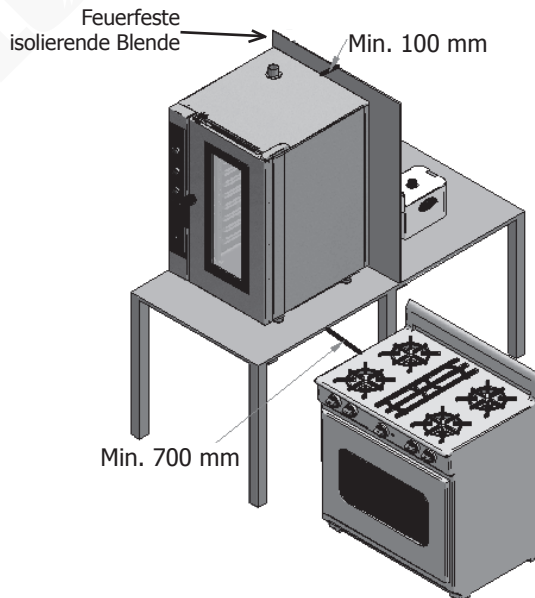
Min. 5 °C

Wir empfehlen, bei Reparaturen einen Abstand von 120 mm einzuhalten, wenn es Wärmequellen oder brennbare Elemente gibt, muss der Sicherheitsabstand mindestens 700 mm betragen. Wir empfehlen auch, für eine gute Belüftung des Geräts zu sorgen, um eine Überhitzung seiner Bauteile zu vermeiden.

Beispiel für das Aufstellen des Geräts ohne Wärmequellen in der Nähe:



Beispiel für das Aufstellen des Geräts in der Nähe von Wärmequellen:



Wir empfehlen, einen Arbeitsbereich von etwa 500 mm zur Wartung freizuhalten.

Inbetriebnahme des Geräts

Starten und installieren Sie das Gerät ordnungsgemäß, indem Sie die Anweisungen in der Bedienungsanleitung befolgen.

Denken Sie daran, dass jeder Fehler oder jede Beschädigung, die auf eine unsachgemäße Installation oder Inbetriebnahme zurückzuführen ist, zum Erlöschen der Garantie führt.

Elektroanschlüsse



GEFAHR eines Stromschlags bei fehlerhaftem Anschluss

Es besteht Lebensgefahr, wenn die Kabel falsch angeschlossen werden. Der Anschluss an eine geeignete Stromversorgung sollte von einem qualifizierten und sachkundigen Elektriker durchgeführt werden.
Warnung: Die Festverdrahtung des Netzkabels muss entsprechend den Verdrahtungsregeln über eine Trennvorrichtung (Fehlerstromschalter) mit einem Kontaktabstand von mehr als 30 mm verfügen.

Schließen Sie das Gerät entsprechend den geltenden Richtlinien Ihrer lokalen Behörden an.

Verbinden Sie das Gerät mit einem herkömmlichen Stromnetz.

Passen Sie für einen geeigneten Elektroanschluss die Leistungsangaben an die lokalen Bedingungen und Anforderungen an.



Eine Potentialausgleichsklemme in elektrischen Geräten soll freiliegendes Metall und leitfähige Teile elektrischer Geräte sowie anderer Geräte in elektrischen Geräten mit künstlichen oder natürlichen Erdleitern verbinden, um Spannungsunterschiede zu reduzieren (Stromschlaggefahr reduzieren oder verhindern).

- Dieses Gerät wird ohne Stecker geliefert und erfordert eine Festverdrahtung mit einer geeigneten Stromversorgung.
CU768 erfordert einen dreiphasigen Stromkreis mit 9200 W, 400 V bei 50/60 Hz
- Verbinden Sie die Drähte richtig entsprechend ihrer Farbcodierung. Das Gerät ist wie folgt verdrahtet:

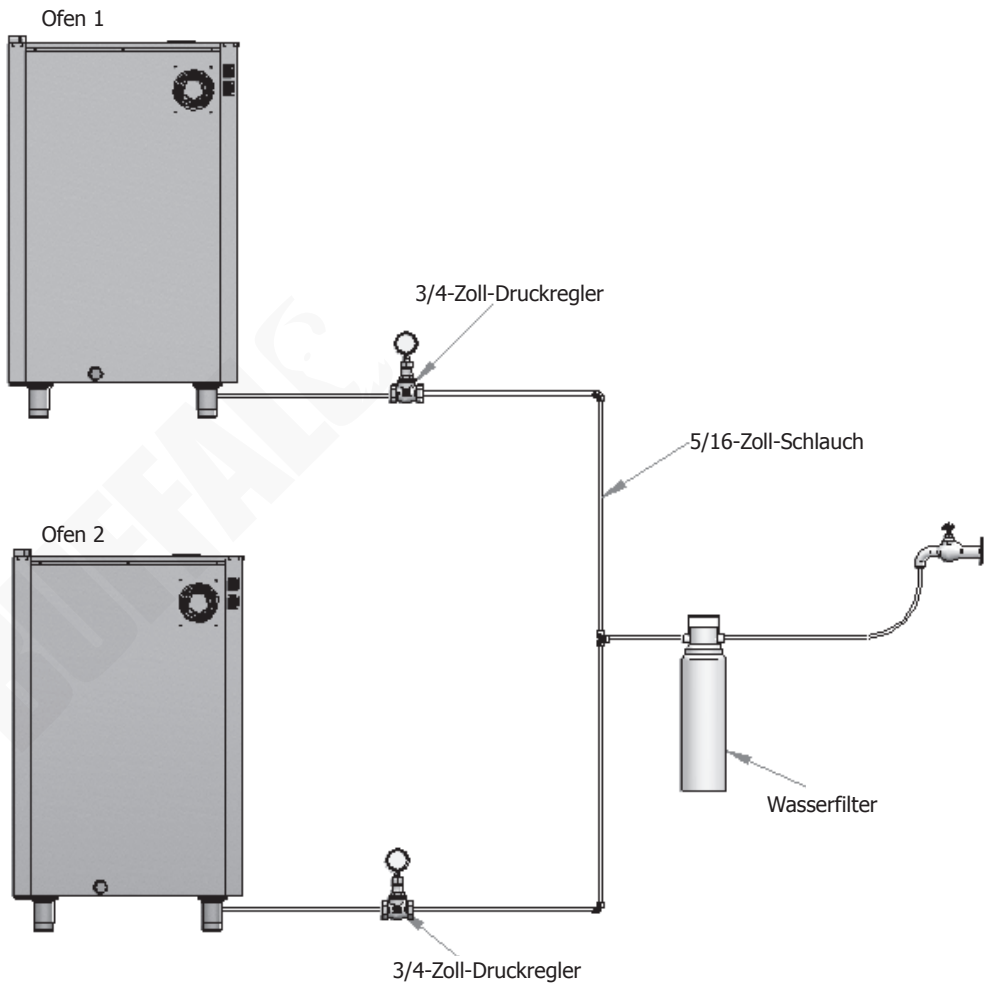
Drahtfarbe	Drahtfunktion	An Anschlüsse der Stromversorgung
Gelb/grün	Erdungsleitung, Schutzleiter	Mit E gekennzeichneten Anschluss
Blau	Neutralleiter, Nulleiter	Mit N gekennzeichneten Anschluss
Braun, grau und schwarz	Spannungsführende Kabel, Phase L1, L2, L3	Mit L1, L2, L3 gekennzeichneten Anschluss

- Das Gerät muss geerdet werden. Bei Fragen wenden Sie sich bitte an einen qualifizierten Elektriker.
- Elektroisolierpunkte dürfen nicht blockiert werden. Bei einem Notstopp müssen diese Punkte jederzeit sofort zugänglich sein.

Wasserzulauf

Der Ofen hat einen $\frac{3}{4}$ -Anschluss für den Wasserzulauf. Die Verwendung eines Anti-Kalk-Filters am Wasserzulauf und eines Rückschlagventils wird dringend empfohlen. Zudem wird dringend empfohlen, ein „Digimeter“ bzw. eine digitales Instrument zur Überwachung der vom Ofen verbrauchten Liter Wasser zu verwenden. Dadurch wissen Sie, wann der Filter ausgewechselt werden muss.

Wichtig: Überprüfen Sie vor dem Anschluss der Wasserzufuhr, dass sich keine Rückstände in der Leitung befinden. Der Druck des zulaufenden Wassers sollte zwischen 2 und 3 bar liegen und die Temperatur nicht höher als 30 °C sein. Wenn der Druck höher als diese Werte ist, sollte ein Druckminderer am Zulauf installiert werden.



Bedienung

Vor der erstmaligen Benutzung Folgendes sicherstellen

- Innenraum und GN-Bleche mit Seifenwasser reinigen. Gut trocknen lassen.
- Gerät bei 200 °C 30 Minuten lang laufen lassen, um Fertigungsreste zu verbrennen.

Kochtipps

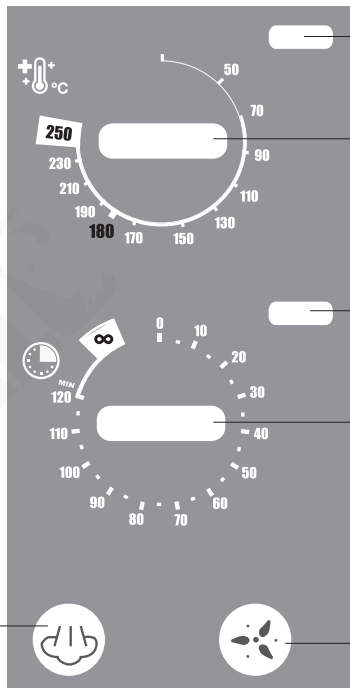
- Abstand zwischen Blechen: 68 mm. Für einen effizienten Luftstrom wird ein Platz von 40-60 mm zwischen Lebensmitteln auf demselben Blech empfohlen.
- Buffalo empfiehlt perforierte Alubleche für Gebäck und Backwaren, Stahl für die Gastronomie und Grillroste beim Braten.
- Zudem sollte das Gerät für optimale Produktergebnisse etwa 20 Minuten vorgeheizt werden.

Bedienfeld

Befeuchtungstaste:

Die Feuchtigkeit kann durch das Einspritzen von Wasser in der Turbine und die unmittelbare Erzeugung von Dampf kontrolliert werden, damit die Lebensmittel nicht austrocknen.

Halten Sie die Befeuchtungstaste zum Einspritzen von Dampf gedrückt. Lassen Sie die Taste zum Stoppen los.



Thermostat-Anzeigeleuchte

Thermostat:

Wählen Sie über den Regler die Temperatur (50 bis 250 °C)

Timer-Anzeigeleuchte:

Wenn das Gerät startet, schaltet sich diese Anzeige ein

Timer-Knopf:

Verwenden Sie den Knopf zur Auswahl der Zeit (0 bis 120 Minuten).

Bei Einstellung auf „∞“ arbeitet das Gerät weiterhin kontinuierlich.

Lüfterdrehzahlstaste:

Zum Wechseln zwischen einer Lüfterdrehzahl von 100% und 60%. Standardeinstellung ist 100% und es wird kein Licht angezeigt. Bei Betätigung wird die Taste rot, was anzeigt, dass der Ofen bei 60% der Lüfterdrehzahl läuft.

Reinigung, Pflege und Wartung

- **Warnung: Schalten Sie das Gerät vor der Reinigung und Wartung immer aus und trennen Sie es von der Stromversorgung und vom Wasser.**
 - Lassen Sie das Gerät vor der Reinigung immer abkühlen.
 - Reinigen Sie den Innenraum des Gerätes so häufig wie möglich.
 - Verwenden Sie KEINE Chemikalien in einem heißen Ofen.
- Verwenden Sie zum Reinigen der äußeren Beschichtung nur haushaltsübliche Reinigungsmittel und ein weiches, feuchtes Tuch. Verwenden Sie keine ätzenden oder reizenden Substanzen.
- Verschmutzungen an den Innenwänden können Sie mit einem in einer milden Seifenlösung angefeuchteten Tuch abwischen.
 - Wischen Sie das Gerät nach dem Reinigen immer trocken.



Achtung:

Ziehen Sie Gummischutzhandschuhe und eine Schutzmaske oder -brille an, bevor Sie mit chemischen Produkten hantieren.

Die Verwendung ungeeigneter Reinigungsmittel oder Reiniger kann zu einem schlechten Reinigungsergebnis oder zu Schäden führen, die den Verlust der Garantie für das Gerät zur Folge haben.

Bitte wenden Sie sich zum Kauf empfohlener Produkte direkt an Ihren Buffalo-Händler.

Reinigen aller Backbleche

- Nehmen Sie nach Gebrauch die Teile zur Reinigung aus dem Gerät.
- Reinigen Sie ihn mit warmer Seifenlauge. Gründlich abspülen und gut abtrocknen.
- Setzen Sie ihn wieder in das Gerät ein.

Störungssuche

Falls erforderlich, muss ein qualifizierter Techniker Reparaturen durchführen.

Störung	Vermutliche Ursache	Lösung
Das Gerät läuft nicht	Das Gerät ist nicht eingeschaltet	Prüfen Sie, ob das Gerät richtig verkabelt und eingeschaltet ist
	Kabel ist beschädigt	Kabel ersetzen
	Fehler Netzstromversorgung	Prüfen Sie die Netzstromversorgung
	Wärmeschutzschalter ist aktiviert	Prüfen Sie, dass das Gerät sicher ist, drücken Sie dann den Rücksetzschalter
Das Gerät funktioniert nicht richtig	Tür nicht richtig geschlossen	Tür richtig schließen
	Türmikroschalter funktioniert nicht	Einen qualifizierten Techniker kontaktieren
Nicht zufriedenstellendes Garergebnis	Ungeeignete Gartemperatur/-zeit	Temperatur/Zeit anpassen
	Nicht geeignete Befeuchtung oder Lüfterdrehzahl	Befeuchtung oder Lüfterdrehzahl anpassen
Dampf entweicht durch die geschlossene Tür	Türmechanismus fehlerhaft	Einen qualifizierten Techniker kontaktieren
	Scharnier falsch platziert	Richtig platzieren. Sollte das Problem weiterhin auftreten, wenden Sie sich an einen qualifizierten Techniker.
Innenbeleuchtung leuchtet nicht auf	Lampenfehler	Lampe austauschen

Technische Spezifikationen

Hinweis: Aufgrund unseres kontinuierlichen Verbesserungsprozesses können sich die Produktspezifikationen ohne Ankündigung.

Modell	Spannung	Leistung (max.)	Temperaturbereich	Abmessungen H x B x T (mm)	Nettogewicht
CU768	400 V 3 N~, 50/60 Hz	9200 W	50 °C - 250 °C	715 x 660 x 724	65 kg

Garantie

Dieses Gerät wird mit einer umfassenden Herstellergarantie geliefert.

Was die Garantie nicht abdeckt:

- Unbeabsichtigte Beschädigung, unsachgemäße oder nicht den Anweisungen des Herstellers entsprechende Verwendung
- Verbrauchsmaterial (wie Filter, Türdichtungen, Fühler und Schläuche)
- Schäden durch falsche Installation, Modifikation, nicht autorisierte Wartungsarbeiten oder Schäden durch Kalkablagerungen, Lebensmittelreste usw.

Konformität

Das WEEE-Logo an diesem Produkt oder in der Dokumentation weist darauf hin, dass das Produkt nicht mit dem normalen Hausmüll entsorgt werden darf. Um potenziellen Gesundheits- bzw. Umweltschäden vorzubeugen, muss das Produkt durch einen zugelassenen und umweltverträglichen Recyclingprozess entsorgt werden. Ausführliche Informationen zur korrekten Entsorgung dieses Produkts erhalten Sie von Ihrem Produktlieferanten oder der für die Müllentsorgung in Ihrer Region zuständige Behörde.



Buffalo-Teile wurden strengen Produkttests unterzogen, um die von internationalen, unabhängigen und Bundesbehörden festgelegten Normen und Spezifikationen zu erfüllen.

Buffalo-Produkte sind für die Verwendung des folgenden Symbols zugelassen:



Alle Rechte vorbehalten. Kein Teil dieser Anleitung darf ohne vorherige schriftliche Genehmigung von Buffalo in irgendeiner Form oder mit irgendwelchen Mitteln, sei es elektronisch, mechanisch, durch Fotokopie, Aufzeichnung oder anderweitig, erstellt oder übertragen werden.

Es werden alle Anstrengungen unternommen um sicherzustellen, dass alle Angaben zum Zeitpunkt der Drucklegung korrekt sind. Buffalo behält sich jedoch das Recht vor, Spezifikationen ohne vorherige Ankündigung zu ändern.

Istruzioni per la sicurezza

PERICOLO DI ALTA TENSIONE!

Linee guida per la sicurezza elettrica:

Spegnere e scollegare sempre l'alimentazione dell'apparecchio prima di procedere all'installazione, alla manutenzione/riparazione e quando l'apparecchio non è in uso.

Il collegamento dell'apparecchio alla rete elettrica deve essere effettuato esclusivamente da un elettricista qualificato. Collegare l'apparecchio a una fonte di alimentazione adeguata, con tensione appropriata e capacità di potenza sufficiente. Per i requisiti di tensione e potenza, consultare l'etichetta dell'apparecchio.

Collegare l'apparecchio a un circuito protetto da un interruttore differenziale (RCD).

Non inserire in nessun caso una spina sul cavo.

La mancata osservanza delle presenti istruzioni di sicurezza esonera Buffalo da qualsiasi responsabilità con conseguente annullamento della garanzia.

- Posizionare su una superficie piana e stabile.
- L'installazione e le eventuali riparazioni devono essere eseguite da un agente/tecnico qualificato. Non rimuovere alcun componente da questo prodotto.
- Rispettare le seguenti norme locali e nazionali:
 - Norme sugli infortuni sul lavoro
 - Linee guida BS EN
 - Precauzioni antincendio
 - Norme IEE sui circuiti elettrici
 - Norme sugli edifici

- NON immergere l'apparecchio in acqua.
- NON pulire con dispositivi a getto o a pressione.
- NON lasciare l'apparecchio incustodito mentre è in funzione.
- Tenere lontano l'imballaggio dalla portata dei bambini. Smaltire l'imballaggio in conformità alle normative locali.
- Questo apparecchio non è destinato all'uso da parte di persone (compresi i bambini) con capacità fisiche, sensoriali o mentali limitate, o con mancanza di esperienza e conoscenza, a meno che non siano sorvegliati o istruiti sull'uso dell'apparecchio da una persona responsabile della loro sicurezza.
- I bambini devono essere sorvegliati per evitare che giochino con l'apparecchio.
- Se è danneggiato, il cavo di alimentazione deve essere sostituito da un agente di Buffalo o da un tecnico qualificato per evitare possibili rischi.
- Buffalo consiglia di sottoporre questo apparecchio a test periodici (almeno una volta all'anno) a cura di una persona competente. I test devono comprendere, tra gli altri: ispezione visiva, controllo della polarità, continuità dei conduttori di terra, continuità dell'isolamento e prove di funzionamento.

Istruzioni sulla sicurezza per l'installazione e la manutenzione

- Prima dell'installazione o della manutenzione, verificare che l'unità sia scollegata dall'alimentazione.
- Prima di installare l'unità, verificare che l'installazione sia conforme alla legislazione vigente nel Paese di utilizzo e fare riferimento alle indicazioni riportate sulla targhetta dati.
- Evitare di manomettere o scollegare i dispositivi di sicurezza dell'unità. Ciò comporta l'annullamento della garanzia.
- La mancata osservanza delle istruzioni del produttore può causare danni, lesioni o incidenti fatali.

- In caso di installazione del forno su supporti o parti sovrapposte, utilizzare esclusivamente quelli forniti da Buffalo e seguire le istruzioni di montaggio contenute nella confezione.
- Le parti di ricambio non originali non garantiscono il corretto funzionamento dell'apparecchio e comportano la perdita della garanzia.
- Il forno deve essere utilizzato esclusivamente da personale specializzato.
- La targhetta dati del forno fornisce le informazioni tecniche necessarie per la riparazione e la manutenzione. Pertanto, evitare di rimuoverla, danneggiarla o modificarla.

Istruzioni sulla sicurezza per l'uso

- In caso di inutilizzo dell'unità per 6 mesi o più, tutti i collegamenti devono essere scollegati/isolati (alimentazione e acqua). Qualora sia rimasto scollegato per lungo tempo, è necessario che venga controllato da un tecnico dell'assistenza, ad es. per verificare la presenza di acqua stagnante, ecc.
- Il forno deve essere utilizzato solo ed esclusivamente per lo scopo per cui è stato progettato, ovvero per la cottura di prodotti come pane fresco o congelato, prodotti di pasticceria e tutti i tipi di prodotti gastronomici. Altri utilizzi diversi da quelli indicati possono portare al danneggiamento dell'unità.
- Evitare di introdurre nel forno prodotti con un'elevata concentrazione di alcol.
- Le superfici esterne e interne del forno devono essere pulite frequentemente per garantire l'igiene e il corretto funzionamento. Evitare l'uso di prodotti abrasivi o infiammabili che potrebbero danneggiare l'unità.
- Si consiglia di seguire le istruzioni per l'uso e la pulizia fornite dal produttore. L'uso di prodotti non autorizzati può causare danni.
- Per l'ingresso dell'acqua, si consiglia l'uso di un filtro anticalcare. In caso contrario, alcuni componenti del forno potrebbero danneggiarsi. **I guasti dovuti a calcare o sedimenti d'acqua non sono coperti dalla garanzia.**

Carichi massimi

Modello	CAPACITÀ	CARICO MASSIMO	MAX. CARICO PER RIPIANO
CU768	5 x (GN 1/1)	25 kg	Massimo 12,5 kg per ripiano

- Evitare in qualsiasi caso di superare la capacità di carico massima per non danneggiare l'unità. La mancata osservanza dei valori di carico massimo esonera Buffalo da qualsiasi responsabilità con conseguente annullamento della garanzia.

Pericolo di ustioni



- Leggere attentamente queste avvertenze e seguire le indicazioni quando il forno è in funzione o non è completamente raffreddato.
- Toccare solamente i comandi dell'unità e la maniglia dello sportello. Evitare di toccare altri elementi esterni del forno in quanto possono raggiungere superiori a 60 °C.
- Indossare guanti termici o simili per spostare o maneggiare contenitori o vassoi all'interno della camera di cottura.
- Aprire lentamente lo sportello del forno e fare attenzione ai vapori delle temperature elevate che fuoriescono dalla camera di cottura.
- Evitare di posizionarsi direttamente davanti lo sportello durante l'apertura.

Pericolo di incendio



- Utilizzare esclusivamente prodotti per la pulizia consigliati dal produttore. L'utilizzo di altri prodotti potrebbe danneggiare l'unità e invalidare la garanzia.
- Se non si pulisce l'unità in modo adeguato e con la frequenza necessaria, il grasso e i residui di alimenti potrebbero accumularsi nella camera di cottura e quindi incendiarsi.

Contenuto della confezione

Sono inclusi i seguenti componenti:

- Forno a convezione Buffalo
- Manuale di istruzioni

Buffalo garantisce una qualità e un servizio impeccabili e assicura che al momento dell'imballaggio tutti i componenti forniti sono integralmente funzionanti e privi di difetti.

Nel caso siano rilevati danni risultanti dal trasporto del prodotto, rivolgersi immediatamente al rivenditore Buffalo locale.

Trasporto

Prima di trasportare l'unità verso il luogo di installazione, assicurarsi che:

- Passi attraverso la porta
- Il pavimento è in grado di supportare il suo peso

Il trasporto deve essere effettuato solo ed esclusivamente con mezzi meccanici, come un transpallet e sempre su un pallet.

Installazione



Avvertenza: L'installazione, l'uso, la manutenzione o la pulizia non appropriati dell'apparecchiatura, così come qualsiasi modifica, possono causare danni alle cose e lesioni personali. Leggere attentamente tutte le istruzioni prima dell'installazione e assicurarsi di averle comprese.

Non adatto per installazioni a incasso.

Operazioni preliminari

Rimuovere la pellicola protettiva dall'unità. Pulire i residui di adesivo con un solvente adatto. Evitare in qualsiasi caso di utilizzare prodotti o utensili abrasivi o acidi che potrebbero danneggiare la superficie.

Collocazione dell'unità

Collocare il forno nel luogo di lavoro prescelto e mantenere una distanza di sicurezza come indicato di seguito. Verificare che l'unità disponga di sufficienti ingressi di aria fredda attraverso i canali di ventilazione per garantire il corretto funzionamento. In caso contrario, l'unità potrebbe surriscaldarsi e alcuni componenti potrebbero venire distrutti.

- In caso di installazione del forno su un supporto ausiliario, è necessario fissarlo ad esso.
- Le strutture devono essere climatizzate e conformi alle disposizioni vigenti in materia di sicurezza degli impianti.
- Inoltre, l'unità deve essere protetta dagli agenti atmosferici.
- Per il corretto funzionamento dell'unità, la temperatura ambiente deve essere compresa tra 5 e 35 °C al massimo.
- L'umidità nelle strutture non deve superare il 70%.



Max. 70%

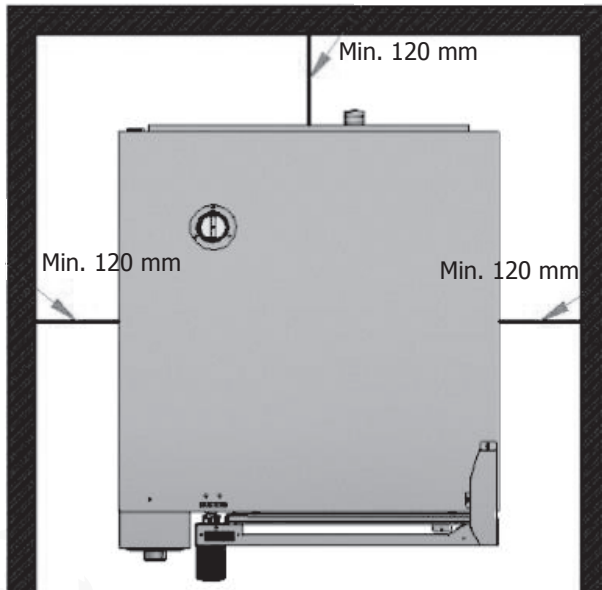


Max. 35 °C

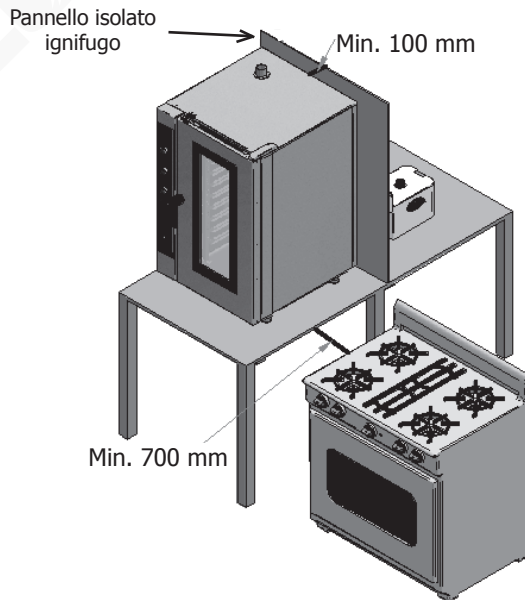
Min. 5 °C

Si consiglia di lasciare uno spazio di 120 mm per la riparazione e, in presenza di fonti di calore o elementi combustibili, la distanza di sicurezza deve essere di almeno 700 mm. Si consiglia inoltre di garantire una buona circolazione dell'aria per evitare il surriscaldamento dei componenti dell'unità.

Esempio di collocazione dell'unità senza fonti di calore nelle vicinanze:



Esempio di collocazione dell'unità in prossimità di fonti di calore:



Si consiglia di lasciare uno spazio di lavoro libero di circa 500 mm per gli interventi di manutenzione.

Avviamento dell'unità

Per avviare e installare correttamente l'unità, seguire le istruzioni contenute nel presente manuale.

Tenere presente che eventuali guasti o rotture dovuti a un'installazione o a una messa in funzione errata comportano l'annullamento della garanzia.

Cablaggio elettrico



PERICOLO di scosse elettriche in caso di collegamento errato

Pericolo di morte se i cavi sono collegati in modo errato.

Il collegamento a una rete di alimentazione compatibile deve essere effettuato esclusivamente da un tecnico elettrico qualificato e competente.

Avvertenza: Il cablaggio fisso del collegamento del cavo di alimentazione deve essere dotato di un dispositivo di disconnessione (interruttore di protezione dalle dispersioni) con una distanza di contatto maggiore di 30 mm secondo le norme di cablaggio.

Collegare l'unità in base alle norme vigenti del proprio Paese, stato federale, città o autorità locale.

Collegare l'unità a una rete di alimentazione standard.

Per un corretto collegamento elettrico, regolare i valori di potenza in base alle condizioni e ai requisiti locali.



Il terminale di collegamento equipotenziale negli apparecchi elettrici serve a collegare le parti metalliche e conduttive esposte dei dispositivi elettrici e altri dispositivi negli apparecchi elettrici con conduttori di messa a terra artificiali o naturali per ridurre le differenze di potenziale (ridurre e prevenire il rischio di scosse elettriche).

- Questo apparecchio viene fornito senza spina e deve essere collegato a una rete elettrica compatibile. Il modello CU768 richiede un circuito trifase da 9200 W 400 V a 50/60 Hz.
- Collegare correttamente i fili in base al loro codice colore. L'apparecchio ha i seguenti cablaggi:

Colore del filo	Funzione del filo	Ai terminali dell'alimentazione
Giallo/Verde	Filo di messa a terra, conduttore di protezione	Terminale contrassegnato con E
Blu	Filo neutro, conduttore neutro	Terminale contrassegnato con N
Marrone, grigio e nero	Fili sotto tensione, Fase L1, L2, L3	Terminale contrassegnato con L1, L2, L3

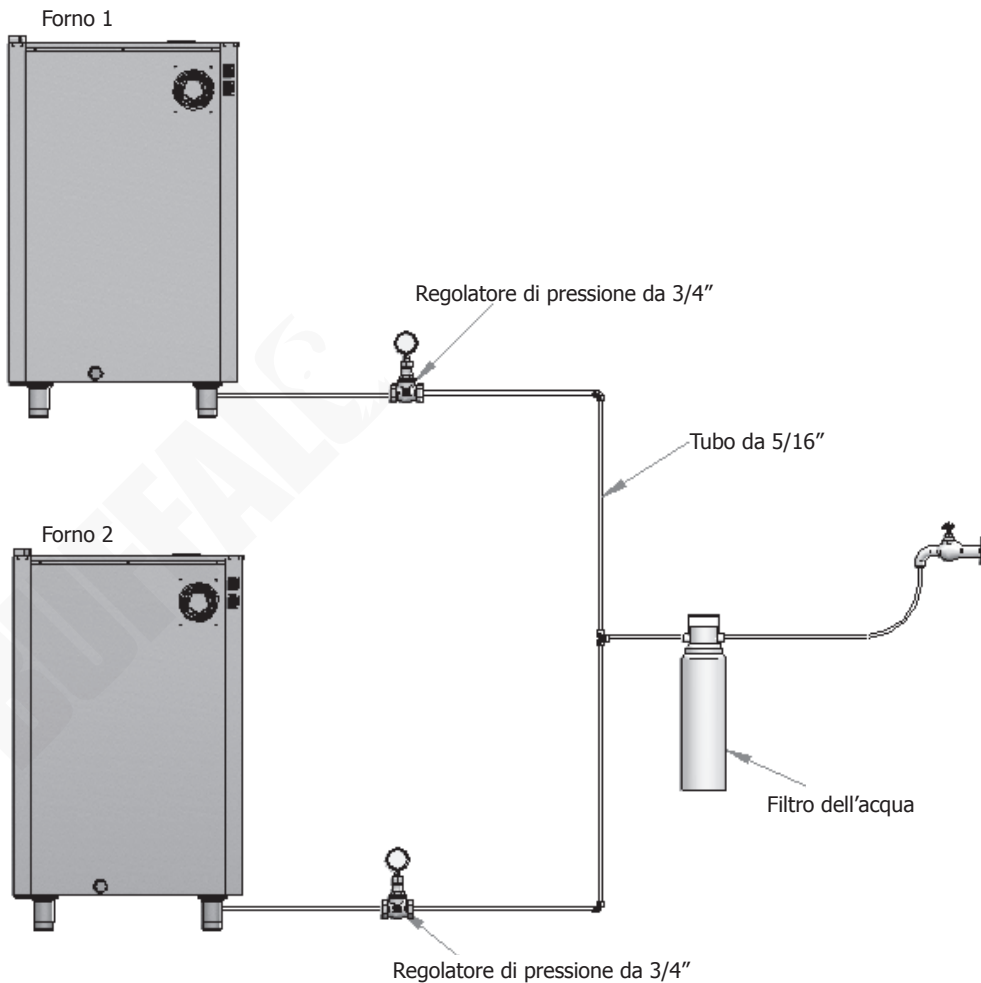
- L'apparecchio deve disporre di una messa a terra. In caso di dubbi, consultare un elettricista qualificato.
- I punti di interruzione dell'alimentazione elettrica devono rimanere privi di ostacoli. In caso di emergenza devono essere facilmente raggiungibili, qualora sia necessario interrompere l'alimentazione.

Ingresso dell'acqua

Il forno è dotato di un attacco a $\frac{3}{4}$ " per l'ingresso dell'acqua. Per l'ingresso dell'acqua si consiglia l'uso di un filtro anticalcare e di una valvola di non ritorno.

Oltre a ciò, si consiglia vivamente di installare un "digimetro" o uno strumento digitale per monitorare i litri d'acqua consumati dal forno e sapere così quando il filtro deve essere sostituito.

Importante: prima di collegare l'alimentazione idrica, verificare che non vi siano residui nella tubazione. La pressione dell'acqua in ingresso deve essere compresa tra 2 e 3 bar, con una temperatura non superiore a 30 °C. Se la pressione è superiore a tali valori, è necessario installare un regolatore di pressione all'ingresso.



Funzionamento

Prima del primo utilizzo assicurarsi di

- Pulire la parte interna e le piastre GN con acqua e sapone. Lasciare asciugare completamente.
- Lasciar funzionare l'apparecchio alla temperatura di 200 °C per 30 minuti per bruciare eventuali residui di fabbricazione.

Suggerimenti per la cottura

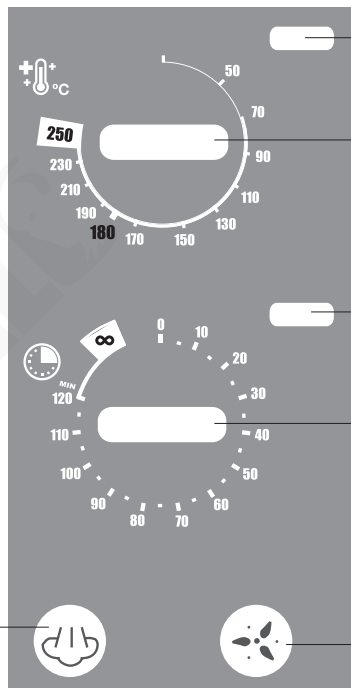
- Distanza tra i vassoi: 68 mm. Per garantire un flusso d'aria efficiente, si consiglia di lasciare uno spazio di 40-60 mm tra gli alimenti sullo stesso vassoio.
- Buffalo consiglia vassoi in alluminio perforati da pasticceria e panetteria, in acciaio per la gastronomia e griglie per gli arrostiti.
- Si consiglia inoltre di preriscaldare l'apparecchio per circa 20 minuti per ottenere una finitura ottimale del prodotto.

Pannello di controllo

Pulsante umidità:

L'umidità può essere controllata immettendo acqua nella turbina e generando immediatamente vapore per evitare che gli alimenti si asciughino.

Tenere premuto il pulsante dell'umidità per erogare il vapore. Rilasciare il pulsante per fermare l'operazione.



Spia del termostato

Termostato:

Usare la manopola per regolare la temperatura (50-250 °C)

Indicatore luminoso timer:

All'avvio dell'apparecchio, questo indicatore si accende

Manopola del timer:

Usare la manopola per selezionare il tempo (0-120 minuti).

Quando viene impostato "∞", l'apparecchio continua a funzionare in modo continuo

Pulsante della velocità della ventola:

La velocità della ventola può essere selezionata tra il 100 e il 60%. L'impostazione predefinita è 100% e non si accende alcuna luce. Quando viene premuto, il pulsante diventa rosso per indicare che il forno sta funzionando al 60% della velocità della ventola.

Pulizia, cura e manutenzione

- **Avvertenza: Prima di procedere con la pulizia e la manutenzione, spegnere e scollegare sempre l'apparecchio dall'alimentazione elettrica e dalla rete idrica.**
- Attendere sempre che l'apparecchio si raffreddi prima della pulizia.
- Pulire spesso l'interno dell'apparecchio.
- NON utilizzare prodotti chimici quando il forno è caldo.
- Per la pulizia dell'involucro esterno, utilizzare esclusivamente prodotti per la pulizia domestici e un panno morbido e umido. Evitare l'uso di sostanze corrosive o irritanti.
- Per le macchie sulle pareti interne, strofinare con un panno inumidito con una soluzione di acqua e sapone delicato.
- Asciugare sempre l'apparecchio dopo la pulizia.



Attenzione:

Utilizzare guanti di protezione in gomma e maschera o occhiali di protezione prima di utilizzare prodotti chimici.

L'uso di detergenti o prodotti per la pulizia non idonei può produrre finiture scadenti o danni che comportano la perdita della garanzia del dispositivo.

Per l'acquisto dei prodotti consigliati, rivolgersi direttamente al proprio rivenditore Buffalo.

Pulizia di tutti i vassoi di cottura

- Dopo l'utilizzo, rimuovere le parti dall'apparecchio per pulirle.
- Pulire con acqua calda e sapone. Sciacquare con cura e asciugare a completamente.
- Ricollocarla nell'apparecchio.

Risoluzione dei problemi

Se necessario, contattare un tecnico qualificato per le eventuali riparazioni.

Problema	Probabile causa	Azione
L'unità non funziona	L'apparecchio non è acceso	Controllare che l'unità sia collegata correttamente e che sia accesa
	Il cavo di alimentazione è danneggiato	Sostituire il cavo di alimentazione
	Problema con l'alimentazione elettrica	Controllare l'alimentazione elettrica
	Il limitatore di temperatura è attivato	Verificare che l'apparecchio sia sicuro, quindi premere l'interruttore di reset.
L'unità non funziona correttamente	Lo sportello non si chiude bene	Chiudere saldamente lo sportello
	Il microinterruttore dello sportello non funziona	Contattare un tecnico qualificato
Cottura inadeguata	Temperatura/tempo di cottura non adatto	Regolare la temperatura/il tempo
	Umidità o velocità della ventola non adatta	Regolare l'umidità o la velocità della ventola
Il vapore fuoriesce con lo sportello chiuso	Guasto al meccanismo dello sportello	Contattare un tecnico qualificato
	Posizionamento errato del giunto	Posizionarlo correttamente. Se il problema persiste, contattare un tecnico qualificato
La lampadina interna non si accende	Guasto alla lampadina	Sostituire la lampadina

Specifiche tecniche

Nota: a causa del nostro continuo processo di miglioramento, le specifiche del prodotto sono soggette a modifiche senza preavviso.

Modello	Tensione	Potenza (max)	Intervallo di temperatura	Dimensioni A x L x P (mm)	Peso netto
CU768	400 V 3 N~, 50/60 Hz	9200 W	50 °C - 250 °C	715 x 660 x 724	65 kg

Garanzia

Questa unità offre una garanzia completa del produttore.

La garanzia non copre quanto segue:

- Danni accidentali, uso improprio o non conforme alle istruzioni del produttore.
- Elementi usurabili (come filtri, guarnizioni dello sportello, sonde e tubi flessibili)
- Danni dovuti a installazione errata, modifiche, interventi di assistenza non autorizzati o danni dovuti a calcare, accumulo di residui di alimenti, ecc.

Conformità

Il logo WEEE riportato su questo prodotto o sulla relativa documentazione indica che il prodotto non può essere smaltito come normale rifiuto domestico. Per evitare possibili danni alla salute e/o all'ambiente, il prodotto deve venire smaltito utilizzando una procedura di riciclaggio approvata e sicura per l'ambiente. Per ulteriori informazioni su come smaltire in maniera corretta questo prodotto, contattare il fornitore del prodotto o l'ente locale responsabile per lo smaltimento dei rifiuti.



I componenti Buffalo sono sottoposti a un rigoroso collaudo per verificarne la conformità alle condizioni e alle specifiche di legge previste dalle autorità internazionali, indipendenti e locali.

I prodotti Buffalo sono autorizzati a esporre il seguente simbolo:



Tutti i diritti riservati. È vietata la riproduzione o la trasmissione in alcuna forma, elettronica, meccanica, mediante fotocopiatura o altro sistema di riproduzione, di qualsiasi parte delle presenti istruzioni senza la previa autorizzazione scritta di Buffalo.

Le informazioni contenute sono corrette e accurate al momento della stampa, tuttavia Buffalo si riserva il diritto di modificare le specifiche senza preavviso.

Consejos de Seguridad

¡PELIGRO DE ALTA TENSIÓN!

Requisitos eléctricos:

Apague y desconecte siempre el suministro de alimentación del aparato antes de la instalación, cuando no esté en uso, antes de limpiar y antes de realizar tareas de mantenimiento/servicio.

Únicamente un electricista cualificado debe conectar este aparato a la red eléctrica. Instale eléctricamente el aparato en un suministro de alimentación adecuado con el voltaje correcto y suficiente capacidad energética. Consulte la etiqueta de características del aparato para más información sobre los requisitos de tensión y potencia.

Conecte el aparato a un circuito protegido mediante un RCD (dispositivo de corriente residual) adecuado.

En ningún caso instale un enchufe en el cable.

No respetar estas instrucciones de seguridad eximirá a Buffalo de toda responsabilidad y anulará la garantía.

- Colóquela sobre una superficie plana, estable.
- Un agente de servicio / técnico cualificado debería llevar a cabo la instalación y cualquier reparación si se precisa. No retire ninguna pieza del producto.
- Consulte las Normas Locales y Nacionales correspondientes a lo siguiente:
 - Legislación de Seguridad e Higiene en el Trabajo
 - Códigos de Práctica BS EN
 - Precauciones contra Incendios
 - Normativos de Cableado de la IEE
 - Normativas de Construcción

- NO sumerja el aparato en agua.
- NO utilice limpiadores de chorro ni a presión para limpiarlo.
- NO deje el aparato desatendido mientras esté en funcionamiento.
- Mantenga el embalaje lejos del alcance de los niños. Elimine el embalaje de acuerdo con las normas de las autoridades locales.
- Este aparato no ha sido diseñado para ser utilizado por personas (incluidos niños) con capacidades físicas, sensoriales o mentales reducidas, o que carezcan de la experiencia y los conocimientos necesarios, a menos que sean supervisados o instruidos en el uso seguro del aparato por una persona responsable de su seguridad.
- Los niños deben estar supervisados para garantizar que no juegan con el aparato.
- Si el cable eléctrico está dañado, debe ser reemplazado por un agente de Buffalo o un técnico cualificado recomendado para evitar cualquier riesgo.
- Buffalo recomienda que este aparato debe ser periódicamente probado (al menos anualmente) por una Persona Competente. Las pruebas deben incluir, entre otras: Inspección visual, ensayo de polaridad, puesta a tierra, continuidad de aislamiento y prueba de funcionamiento.

Instrucciones de seguridad de instalación y mantenimiento

- Compruebe que la unidad esté desconectada del suministro eléctrico antes de realizar tareas de instalación o mantenimiento.
- Antes de instalar la unidad, compruebe que el lugar de instalación está en conformidad con la legislación vigente del país de uso y consulte las indicaciones de la placa de características.
- No manipule ni desconecte los dispositivos de seguridad de la unidad. De hacerlo, la garantía quedará anulada.
- No respetar las instrucciones del fabricante puede causar daños, lesiones o accidentes mortales.

- Si instala el horno en soportes o piezas superpuestas, use solamente aquellos que hayan sido recomendados por Buffalo y respete las instrucciones de montaje que encontrará en el interior del paquete.
- Las piezas de repuesto no originales no garantizan el correcto funcionamiento de la unidad e invalidarán la garantía.
- El horno solamente debe ser usado por personal formado.
- La placa de características del horno proporciona información técnica necesaria para las tareas de reparación y mantenimiento. Por lo tanto, evite retirarla, dañarla o modificarla.

Instrucciones de seguridad durante el uso

- Si la unidad no va a ser utilizada durante 6 meses o más, todas las conexiones deben desconectarse/aislarse (suministro de alimentación y agua). Si ha estado desconectada durante un largo período, deberá ser comprobada por un técnico de servicio, p. ej., para buscar agua estancada, etc.
- El horno solamente debe ser utilizado para el propósito para el cual ha sido diseñado, es decir, para cocinar alimentos tales como pan fresco o congelado, pasteles y todo tipo de productos gastronómicos. Cualquier otro uso distinto al mencionado podría dañar la unidad.
- No coloque productos con alto contenido de alcohol dentro del horno.
- Las superficies exteriores e interiores del horno deben limpiarse con frecuencia para asegurar un rendimiento higiénico y adecuado. No use productos abrasivos o inflamables, puesto que pueden dañar la unidad.
- Se recomienda seguir las instrucciones de uso y limpieza del fabricante. El uso de productos no autorizados podría causar daños.
- Se recomienda usar un filtro antical en la entrada del suministro de agua. De lo contrario, algunos componentes del horno podrían sufrir daños. **Las averías causadas por la cal o los sedimentos de agua no están cubiertas por la garantía.**

Cargas máximas

Modelo	CAPACIDAD	CARGA MÁXIMA	MÁX. CARGA POR ESTANTE
CU768	5 x (GN 1/1)	25 kg	Máximo de 12,5 kg por estante

- Nunca exceda la capacidad de carga máxima para evitar dañar la unidad. No respetar estos valores de carga máxima liberará a Buffalo de toda responsabilidad y la garantía quedará anulada.



Riesgo de quemaduras

- Lea detenidamente estas advertencias y respete las indicaciones cuando el horno esté en marcha o si no se ha enfriado completamente.
- Únicamente toque los controles de la unidad y el asa de la puerta. Evite tocar otros elementos externos del horno, puesto que podrían alcanzar temperaturas superiores a los 60 °C.
- Use guantes térmicos o similares para mover o manipular recipientes o bandejas dentro de la cámara de cocción.
- Abra lentamente la puerta del horno y tenga cuidado con los vapores a alta temperatura que salen de la cámara de cocción.
- No se pare directamente sobre la puerta al abrirla.



Riesgo de incendio

- Solamente use productos de limpieza recomendados por el fabricante. Usar otros productos podría dañar la unidad e invalidará la garantía.
- Si no limpia la unidad correctamente y con la frecuencia necesaria, la grasa y los restos de alimentos se acumularán en la cámara de cocción y podrían causar un incendio.

Contenido del Conjunto

Se incluye:

- Horno de convección de Buffalo
- Manual de instrucciones

Buffalo se enorgullece de su calidad y servicio y asegura que en el momento del embalaje, el contenido se suministró con plena funcionalidad y sin ningún defecto.

Si encontrara algún daño resultante del transporte, póngase en contacto inmediatamente con su distribuidor Buffalo.

Transporte

Antes de transportar la unidad a su lugar de instalación, asegúrese de lo siguiente:

- Cabe por la puerta
- El suelo puede soportar su peso

El transporte solamente debe ser realizado por medios mecánicos, tal como con una carretilla hidráulica, y siempre sobre un palé.

Instalación



Advertencia: La instalación, uso, mantenimiento o limpieza incorrectos del equipo, además de cualquier modificación no autorizada, puede causar daños materiales y lesiones mortales. Lea y comprenda detenidamente todas las instrucciones antes de la instalación.

No apto para instalaciones empotradas.

Operaciones preliminares

Retire la película protectora de la unidad. Limpie los residuos de adhesivo con disolvente adecuado. Nunca use productos abrasivos o ácidos ni herramientas que puedan dañar la superficie.

Colocación de la unidad

Coloque la unidad en el lugar de trabajo seleccionado y mantenga una distancia segura tal y como se indica a continuación. Compruebe que la unidad tenga suficientes entrada de aire frío a través de las rejillas de ventilación para asegurar un funcionamiento correcto. De lo contrario, la unidad podría sobrecalentarse y algunos componentes podrían destruirse.

- Si instala el horno en un soporte auxiliar, debe fijarse al mismo.
- Las instalaciones deben estar acondicionadas y cumplir con las normativas en vigor en lo que respecta a la seguridad de las instalaciones.
- Además, la unidad debe estar protegida contra los agentes atmosféricos.
- La temperatura ambiente debe ser de entre 5 °C y 35 °C para garantizar el funcionamiento correcto de la unidad.
- La humedad de las instalaciones nunca deben superar el 70%.



Máx. 70%

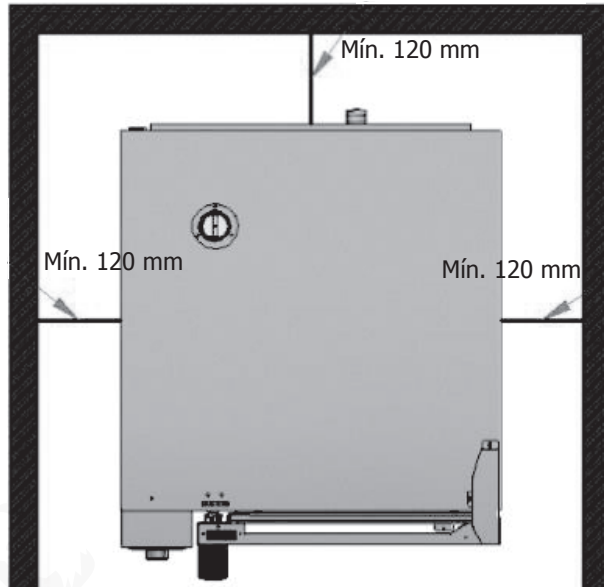


Máx. 35 °C

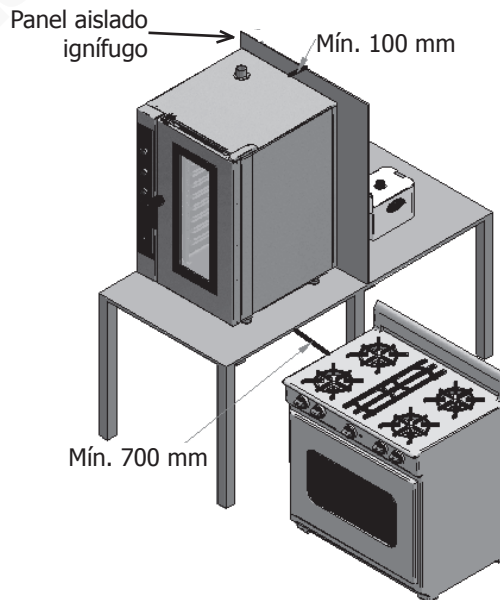
Mín. 5 °C

Recomendamos dejar un espacio de 120 mm para las tareas de reparación y en presencia de fuentes de calor o elementos combustibles, la distancia de seguridad deberá ser de un mínimo de 700 mm. También recomendamos garantizar una buena ventilación de la unidad para evitar el sobrecalentamiento de sus componentes.

Ejemplo de instalación de la unidad sin fuentes de calor cerca:



Ejemplo de instalación de la unidad cerca de fuentes de calor:



Recomendamos dejar un espacio de trabajo libre de aproximadamente 500 mm para las tareas de mantenimiento.

Puesta en marcha de la unidad

Para instalar y poner en marcha la unidad correctamente, siga las indicaciones del manual de instrucciones.

Recuerde que cualquier fallo o avería resultantes de una instalación o puesta en marcha incorrectas causará la anulación de la garantía.

Cableado Eléctrico



PELIGRO de descarga eléctrica a causa de una conexión incorrecta

Existe un peligro mortal si los cables no se conectan correctamente.

La conexión a un suministro de alimentación adecuado solamente debe realizar un ingeniero eléctrico cualificado y competente.

Advertencia: El cableado fijo de la conexión del cable de alimentación debe estar equipado con un dispositivo de desconexión (interruptor de protección de fugas) con una distancia de contacto superior a los 30 mm en conformidad con las normas del cableado.

Conecte la unidad en conformidad con las normativas aplicables de su país, estado, ciudad o ayuntamiento.

Conecte la unidad a una red de suministro energético estándar.

Para realizar una conexión eléctrica correcta, ajuste la potencia nominal al entorno y requisitos locales.



El terminal de conexión equipotencial en aparatos eléctricos conecta el metal expuesto y las piezas conductoras de los dispositivos eléctricos y otros dispositivos en aparatos eléctricos con conductores de toma a tierra artificiales o naturales para reducir las diferencias potenciales (reducir y prevenir el riesgo de descargas eléctricas).

- El aparato se suministra sin enchufe y requiere su conexión a un suministro de alimentación eléctrica adecuado.
CU768 requiere un circuito trifásico de 9200 W 400 V a 50/60 Hz
- Conecte los cables correctamente en conformidad con su codificación de color. Este aparato está conectado de la forma siguiente:

Color del cable	Función del cable	A los terminales del suministro eléctrico
Amarillo/verde	Cable de toma a tierra, conductor protector	Terminal E marcado
Azul	Cable neutro, conductor neutro	Terminal N marcado
Marrón, gris y negro	Cables con carga, fase L1, L2, L3	Terminal marcado L1, L2, L3

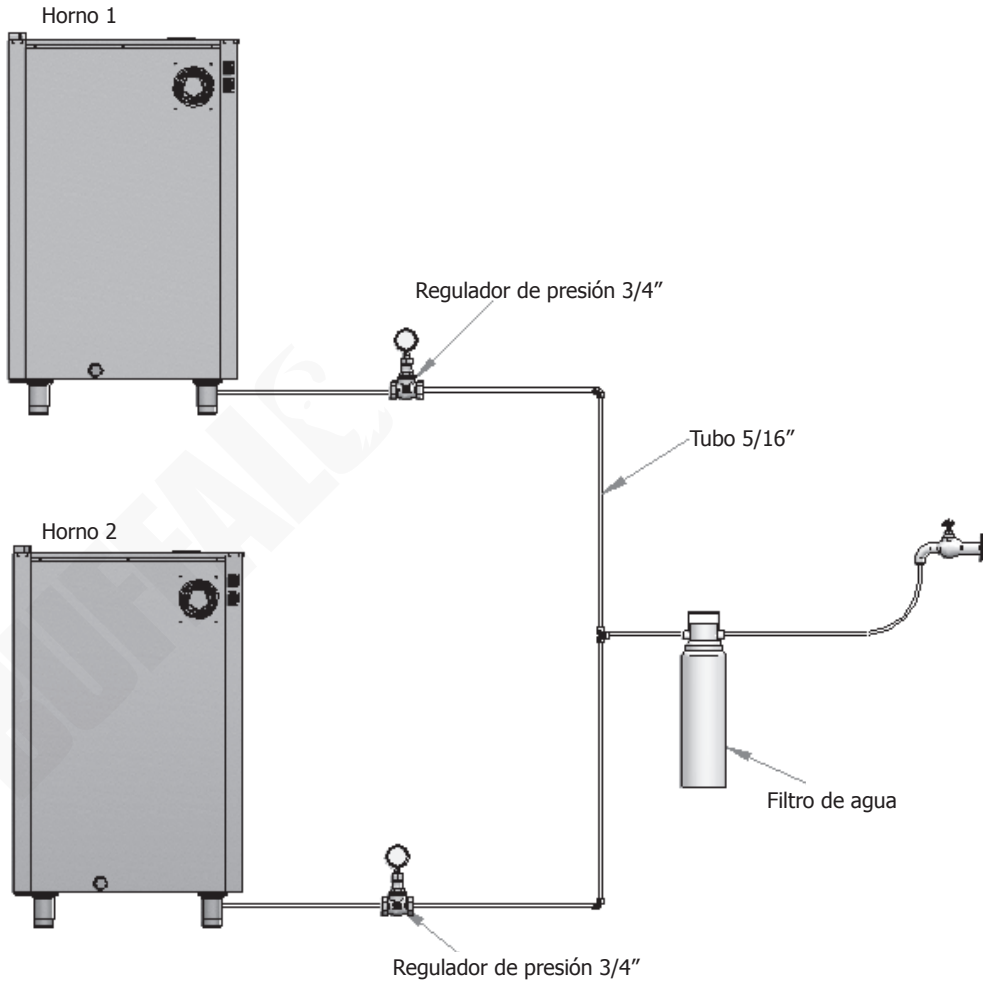
- El aparato debe conectarse a tierra. Si tiene alguna duda, consulte a un electricista cualificado.
- Los puntos de aislamiento eléctrico deben mantenerse libres de cualquier obstrucción. En caso de precisarse una desconexión de emergencia, deben estar disponibles de forma inmediata.

Entrada de agua

El horno tiene una conexión de $\frac{3}{4}$ para la entrada de agua. Se recomienda encarecidamente usar un filtro antical en la entrada del suministro de agua y una válvula de comprobación.

Además, se recomienda encarecidamente instalar un "digimeter" o un instrumento digital para controlar los litros de agua que consume el horno y, de este modo, saber cuándo cambiar el filtro.

Importante: Antes de conectar el suministro de agua, compruebe que la tubería no tenga residuos. La presión del agua entrante debe estar entre 2 y 3 bares, con una temperatura no superior a los 30 °C. Si la presión supera este valor, deberá instalar un reductor de presión en la entrada.



Funcionamiento

Antes del primero uso, asegúrese de lo siguiente

- Limpie el interior y los recipientes GN con agua jabonosa. Deje secar completamente.
- Deje que el aparato opere a una temperatura de 200 °C durante 30 minutos para quemar cualquier residuo de fabricación.

Consejos para cocinar

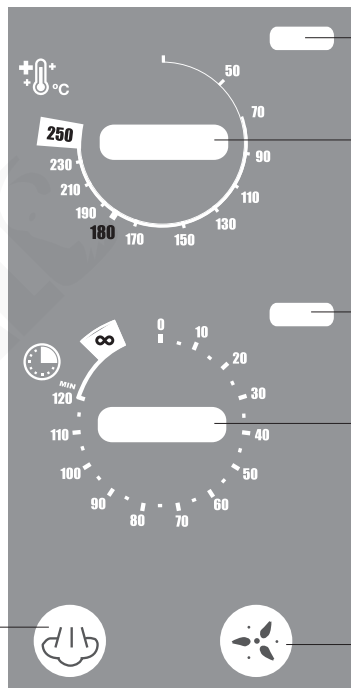
- Distancia entre las bandejas: 68 mm. Para garantizar un flujo de aire eficaz, se recomienda un espacio de 40-60 mm entre los alimentos de la misma bandeja.
- Buffalo recomienda el uso de bandejas de aluminio perforadas para los productos de pastelería y panadería, de acero para gastronomía y rejillas para asados.
- Se recomienda precalentar el aparato durante aproximadamente 20 minutos para lograr un acabado óptimo del producto.

Panel de Control

Botón de humedad:

La humedad se controla inyectando agua en la turbina y generando vapor inmediatamente para evitar que los alimentos se sequen.

Mantenga pulsado el botón de humedad para inyectar vapor. Libere el botón para detener.



Luz indicadora del termostato

Termostato:

Use el mando para seleccionar la temperatura (50 °C-250 °C)

Luz indicadora del temporizador:

Cuando el aparato se ponga en marcha, este indicador se encenderá

Mando del temporizador:

Use el mando para seleccionar el tiempo (0-120 minutos).

Al ajustarse en "∞", el aparato funcionará continuamente

Botón de velocidad del ventilador:

Alterne entre una velocidad del ventilador del 100% y del 60%. El ajuste predeterminado es 100% y no se muestra ninguna luz. Al pulsar el botón se vuelve rojo para indicar que el horno trabaja a una velocidad del ventilador del 60%.

Limpeza, Cuidado y Mantenimiento

- **Advertencia: Apague y desconecte siempre el aparato de la toma de corriente y del suministro de agua antes de realizar tareas de limpieza y mantenimiento.**
- Permita siempre que el aparato se enfríe antes de limpiarlo.
- Limpie el interior del aparato siempre que pueda.
- NO use productos químicos en un horno caliente.
- Solamente use productos de limpieza domésticos y un paño suave y húmedo para limpiar el recubrimiento exterior. No use sustancias corrosivas o irritantes.
- Para las manchas de las paredes interiores, limpie con un paño humedecido con un poco de solución jabonosa suave.
- Siempre seque el producto después de limpiarlo.



Precaución:

Use guantes de protección de goma y mascarilla de protección o gafas antes de manipular productos químicos.

El uso de detergentes o productos de limpieza no adecuados puede producir un mal resultado o daños resultantes en la anulación de la garantía del dispositivo. Póngase en contacto directo con su proveedor de Buffalo para adquirir los productos recomendados.

Limpeza de las bandejas de horneado

- Después del uso, retire las partes del aparato para limpiarlas.
- Limpie usando agua tibia y jabonosa. Aclare y seque completamente.
- Vuelva a colocarla en el aparato.

Resolución de problemas

Un técnico calificado debe realizar las reparaciones si es necesario.

Fallo	Causa probable	Acción
La unidad no funciona	El aparato no está conectado	Compruebe que la unidad está conectada correctamente y que está encendida
	El cable está dañado	Cambie el cable
	Fallo de la fuente de alimentación de red	Compruebe la red eléctrica
	El interruptor de corte térmico se ha activado	Compruebe que el aparato es seguro y pulse el interruptor de restablecimiento
La unidad no funciona correctamente	La puerta no está bien cerrada	Cierre bien la puerta
	El microinterruptor de la puerta no funciona	Consulte con un técnico cualificado
Horneado deficiente	Temperatura/tiempo de horneado no adecuados	Ajuste la temperatura/tiempo
	Humedad o velocidad del ventilador no correctas	Ajuste la humedad o la velocidad del ventilador
Sale vapor por la puerta cerrada	Fallo del mecanismo de la puerta	Consulte con un técnico cualificado
	Colocación incorrecta de la unión	Colóquela correctamente. Si el problema persiste, póngase en contacto con un técnico cualificado
La lámpara interior no se enciende	Fallo en la lámpara	Sustituya la lámpara

Especificaciones Técnicas

Nota: Debido a nuestro proceso de mejora continua, las especificaciones del producto están sujetas a cambios sin previo aviso.

Modelo	Tensión	Potencia (máx.)	Margen de Temperaturas	Dimensiones netas del producto A x A x P (mm)	Peso neto
CU768	400 V 3 N~, 50/60 Hz	9200 W	50 °C - 250 °C	715 x 660 x 724	65 kg

Garantía

Esta unidad se suministra con una garantía integral del fabricante.

La garantía no cubre:

Los daños accidentales, el uso incorrecto o el uso no conforme con las instrucciones del fabricante

- Artículos consumibles (tales como filtros, sellos de las puertas, sondas y mangueras)
- Daños debidos a una instalación incorrecta, modificaciones no autorizadas, tareas de servicio no aprobadas o daños debidos a cal, acumulación de residuos de comida, etc.

Cumplimiento

El logotipo WEEE en este producto o su documentación indica que no debe eliminarse como un residuo doméstico. Para ayudar a prevenir posibles daños a la salud humana y/o el medio ambiente, el producto debe eliminarse en un proceso de reciclaje aprobado y medioambientalmente seguro. Para obtener más información sobre cómo eliminar correctamente este producto, póngase en contacto con el proveedor del mismo o la autoridad local responsable de la eliminación de residuos en su zona.



Las piezas Buffalo han pasado estrictas pruebas de productos para cumplir las especificaciones y normas reguladoras establecidas por las autoridades internacionales, independientes y federales.

Los productos Buffalo han sido aprobados para exhibir el siguiente símbolo:



Reservados todos los derechos. Puede estar prohibida la reproducción o transmisión en cualquier forma o por cualquier medio electrónico, mecánico, de fotocopiado, registro o de otro tipo, de cualquier parte de estas instrucciones sin la autorización previa y por escrito de Buffalo.

Se ha hecho todo lo posible para garantizar que todos los datos son correctos en el momento de su publicación; sin embargo, Buffalo se reserva el derecho a modificar las especificaciones sin que medie notificación previa.

DECLARATION OF CONFORMITY

- Conformanceverklaring • Déclaration de conformité • Konformitätserklärung • Dichiarazione di conformità •
• Declaración de conformidad

Equipment Type • Uitrustingstype • Type d'équipement • Gerätetyp • Tipo di apparecchiatura • Tipo de equipo		Model • Modèle • Modell • Modello • Modelo
Convection Oven with Humidity 5 x GN 1/1		CU768 (-E)
Application of Territory Legislation & Council Directives(s) Toepassing van Europese Richtlijn(en) • Application de la/des directive(s) du Conseil • Anwendbare EU-Richtlinie(n) • Applicazione delle Direttive • Aplicación de la(s) directiva(s) del consejo	<p>Low Voltage Directive (LVD) - 2014/35/EU Electrical Equipment (Safety) Regulations 2016 EN 60335-1:2012 +A11:2014 +A13:2017+A14:2014 +A2:2020 +A1:2020 EN 60335-2-42:2004 +A1:2008 +A11:2012 EN 62233:2008</p> <p>Electro-Magnetic Compatibility (EMC) Directive 2014/30/EU - recast of 2004/108/EC Electromagnetic Compatibility Regulations 2016 (S.I. 2016/1091) EN IEC 55014-1: 2017+A11: 2021 EN IEC 55014-2: 2015 EN IEC 61000-3-2: 2014 EN 61000-3-3: 2013+A1: 2020</p> <p>Restriction of Hazardous Substances Directive (RoHS) 2015/863 amending Annex II to Directive 2011/65/EU Restriction of the Use of Certain Hazardous Substances in Electrical and Electronic Equipment Regulations 2012 (S.I. 2012/3032)</p>	
Manufacturer Name • Naam fabrikant • Nom du fabricant • Name des Herstellers • Nome del fabbricante • Nombre del fabricante		Buffalo

I, the undersigned, hereby declare that the equipment specified above conforms to the above Territory Legislation, Directive(s) and Standard(s).

Ik, de ondergetekende, verklaar hierbij dat de hierboven gespecificeerde uitrusting goedgekeurd is volgens de bovenstaande Richtlijn(en) en Standaard(en).

Je soussigné, confirme la conformité de l'équipement cité dans la présente à la / aux Directive(s) et Norme(s) ci-dessus Ich, der/die Unterzeichnende, erkläre hiermit, dass das oben angegebene Gerät der/den oben angeführten Richtlinie(n) und Norm(en) entspricht.

Il sottoscritto dichiara che l'apparecchiatura di sopra specificata è conforme alle Direttive e agli Standard sopra riportati. El abajo firmante declara por la presente que el equipo arriba especificado está en conformidad con la(s) directiva(s) y estándar(es) arriba mencionadas.

Date • Data • Date • Datum • Data •

Fecha

Signature • Handtekening •
Signature • Unterschrift Firma •
Firma

Full Name • Volledige naam • Nom
et prénom • Vollständiger Name •
Nome completo • Nombre completo

Position • Functie • Fonction •
Position • Qualifica • Posición

Manufacturer Address • Adres
fabrikant • Adresse du fabricant •
Adresse des Herstellers • Indirizzo
del fabbricante • Dirección del
fabricante

08th Oct 2024

DocuSigned by: <i>Ashley Hooper</i> B39382C9FD9C478...	DocuSigned by: <i>Eoghan Donnellan</i> D352874F7FAB460...
Ashley Hooper	Eoghan Donnellan
Group Head of Product Quality & Compliance	Commercial Manager/ Importer
Fourth Way, Avonmouth, Bristol, BS11 8TB United Kingdom	Unit 9003, Blarney Business Park, Blarney, Co. Cork Ireland





UK	+44 (0)845 146 2887
Eire	
NL	040 – 2628080
FR	01 60 34 28 80
BE-NL	0800-29129
BE-FR	0800-29229
DE	0800 – 1860806
IT	N/A
ES	901-100 133



<http://www.buffalo-appliances.com/> 

CU768_ML_A5_v1_2024/10/18