

07/2011

Mod: LD9/35-N

Production code: 1851030



Diamond
catering equipment



SCHEMI ELETTRICI

(ELECTRICAL SCHEME)

Logic Line Plus

(Logic Line Plus Ovens)

FORNI MONOCAMERA

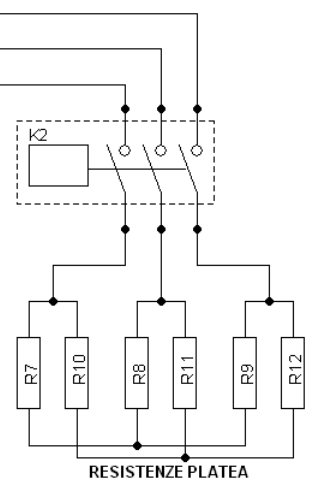
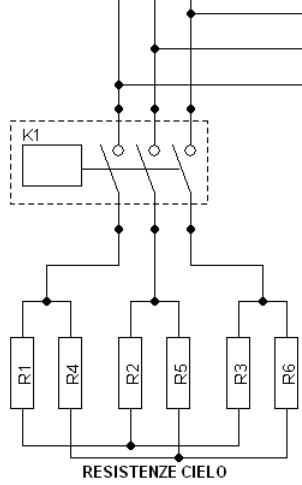
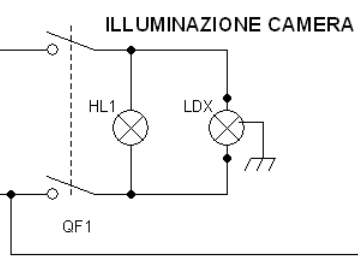
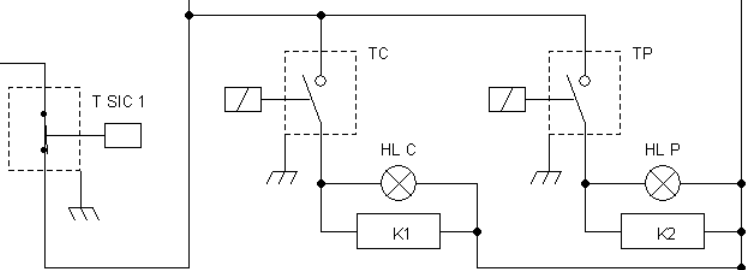
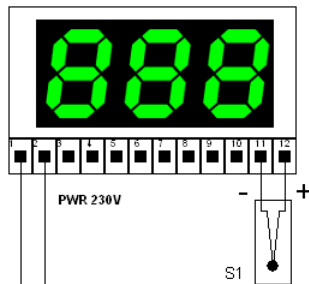
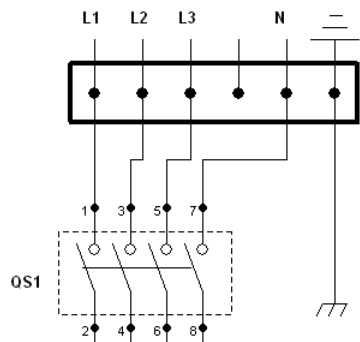
(SINGLE CHAMBER)

M4-M6-M6L-M9

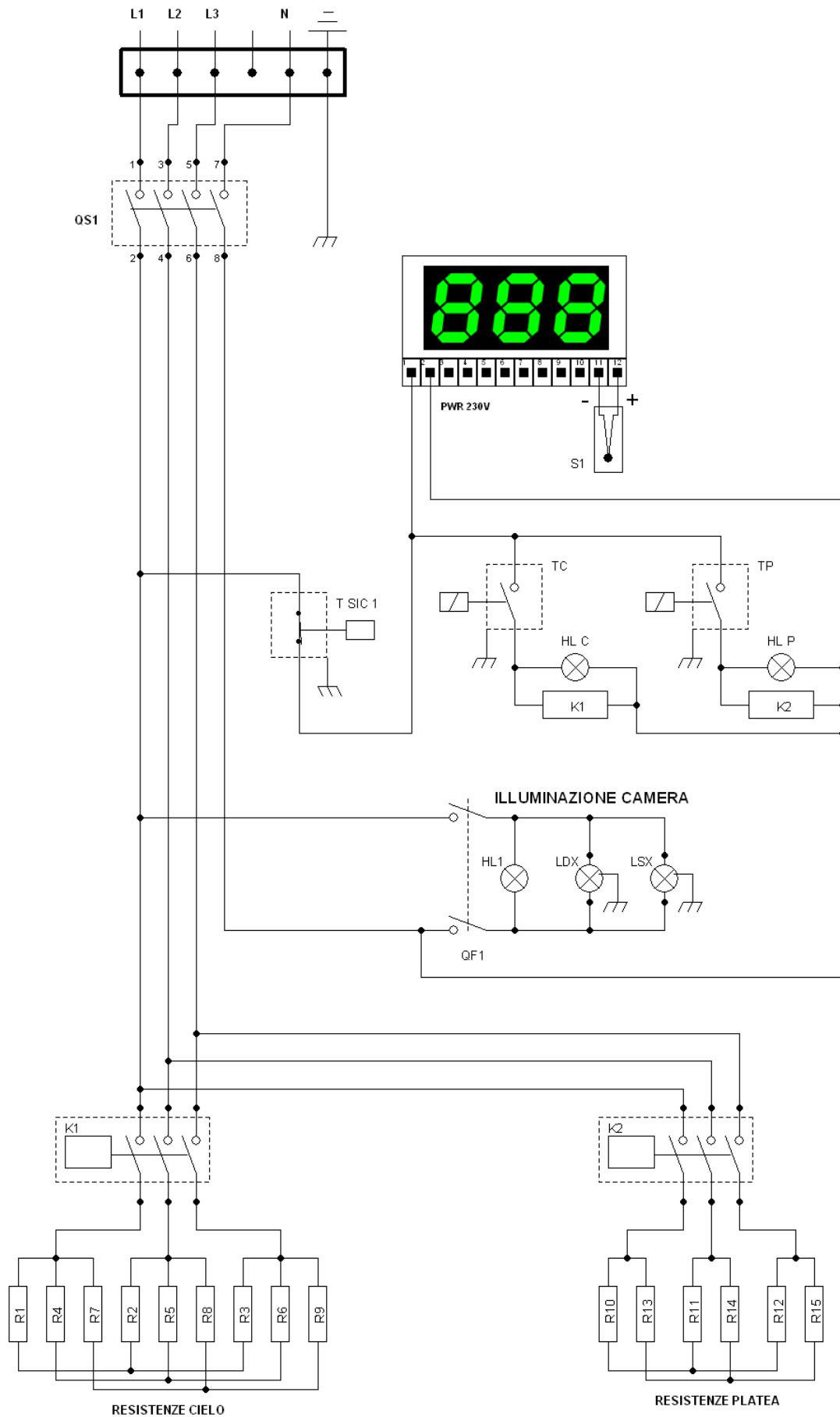
FORNI BICAMERA

(DOUBLE CHAMBER)

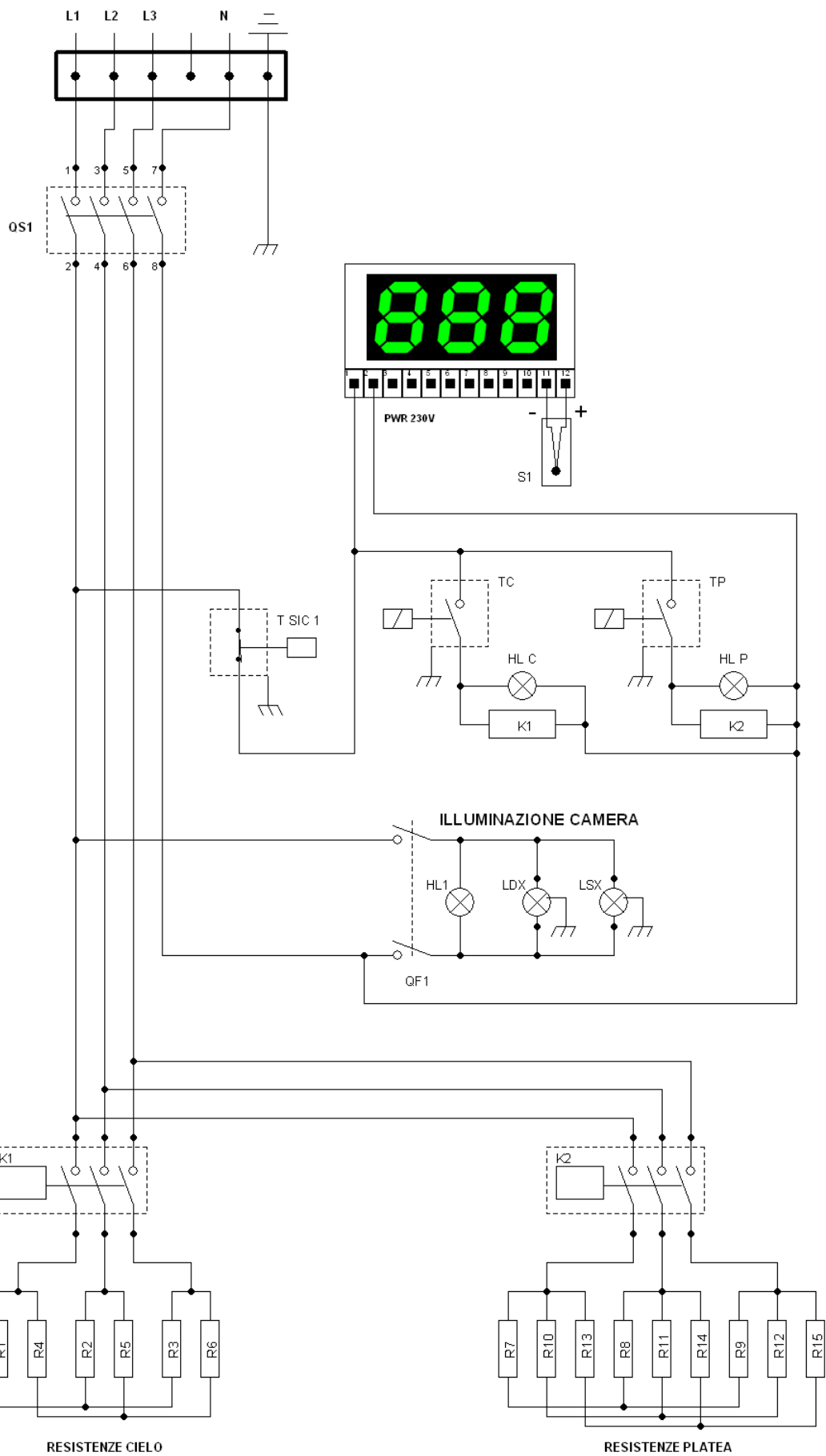
M8-M12-M12L-M18



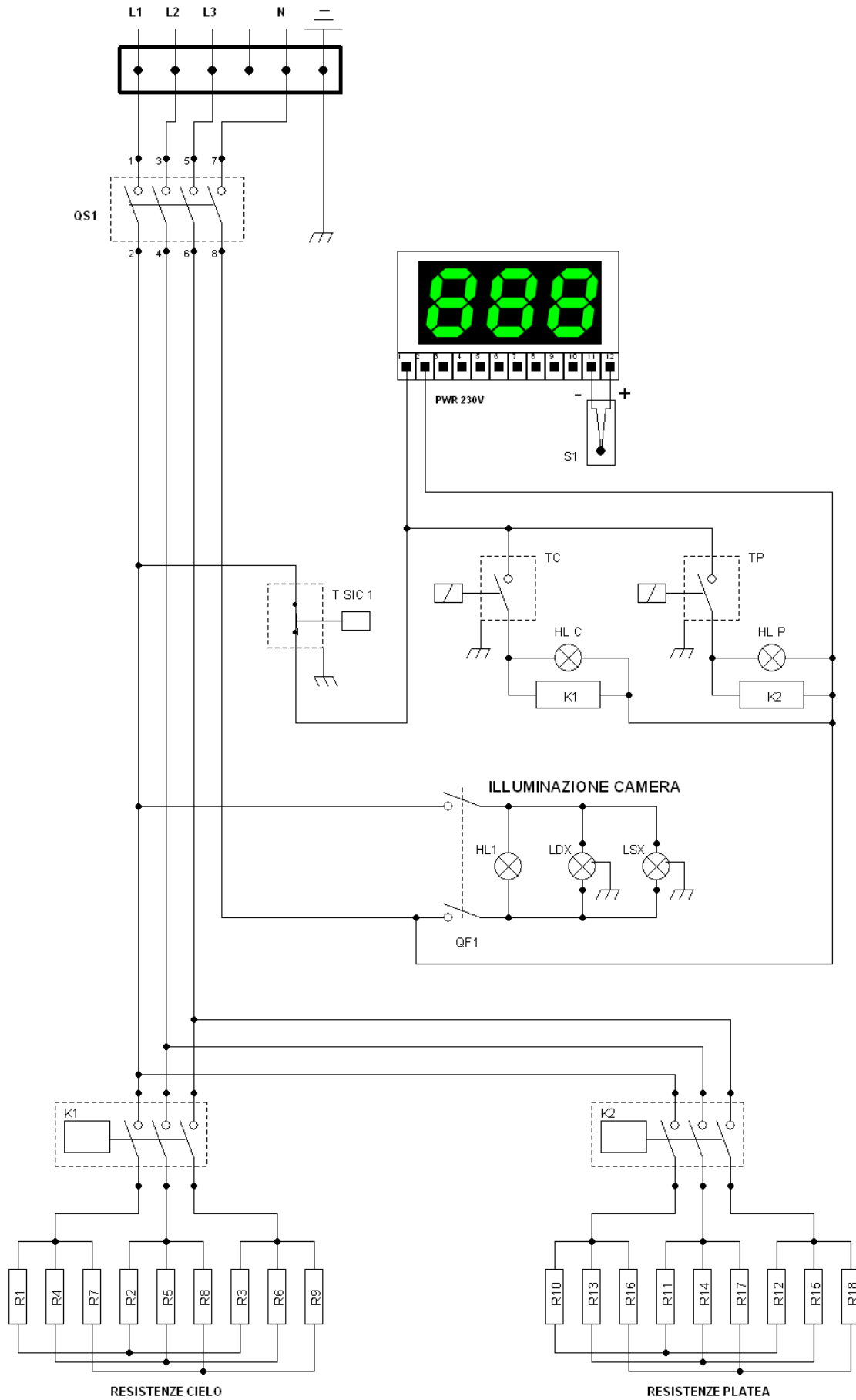
Title		
Logic Line Plus M4_400V Trifase		
Author		
Auto Lenardon		
Pizzagroup S.r.L.		
File	Document	
IFASE\LOGIC LINE PLUS M4_400V Trifase.dsn		
Revision	Date	Sheets
	15/03/2011	1 of 1



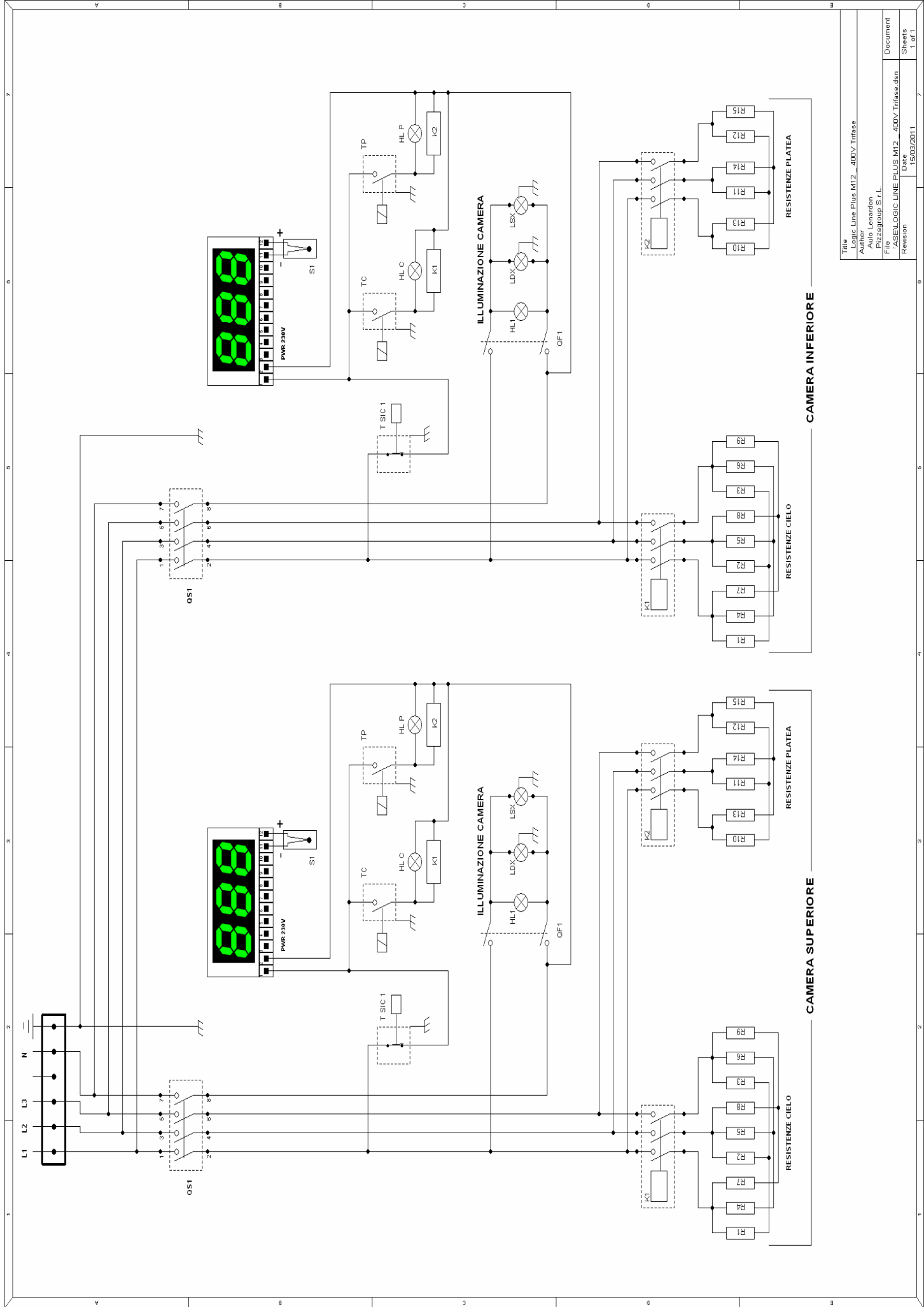
Title		
Logic Line Plus M6 400V Trifase		
Author		
Auto Lenardon		
Pizzagroup S.r.L.		
File	Document	
IFASE\LOGIC LINE PLUS M6 400V Trifase.dsn		
Revision	Date	Sheets
	15/03/2011	1 of 1



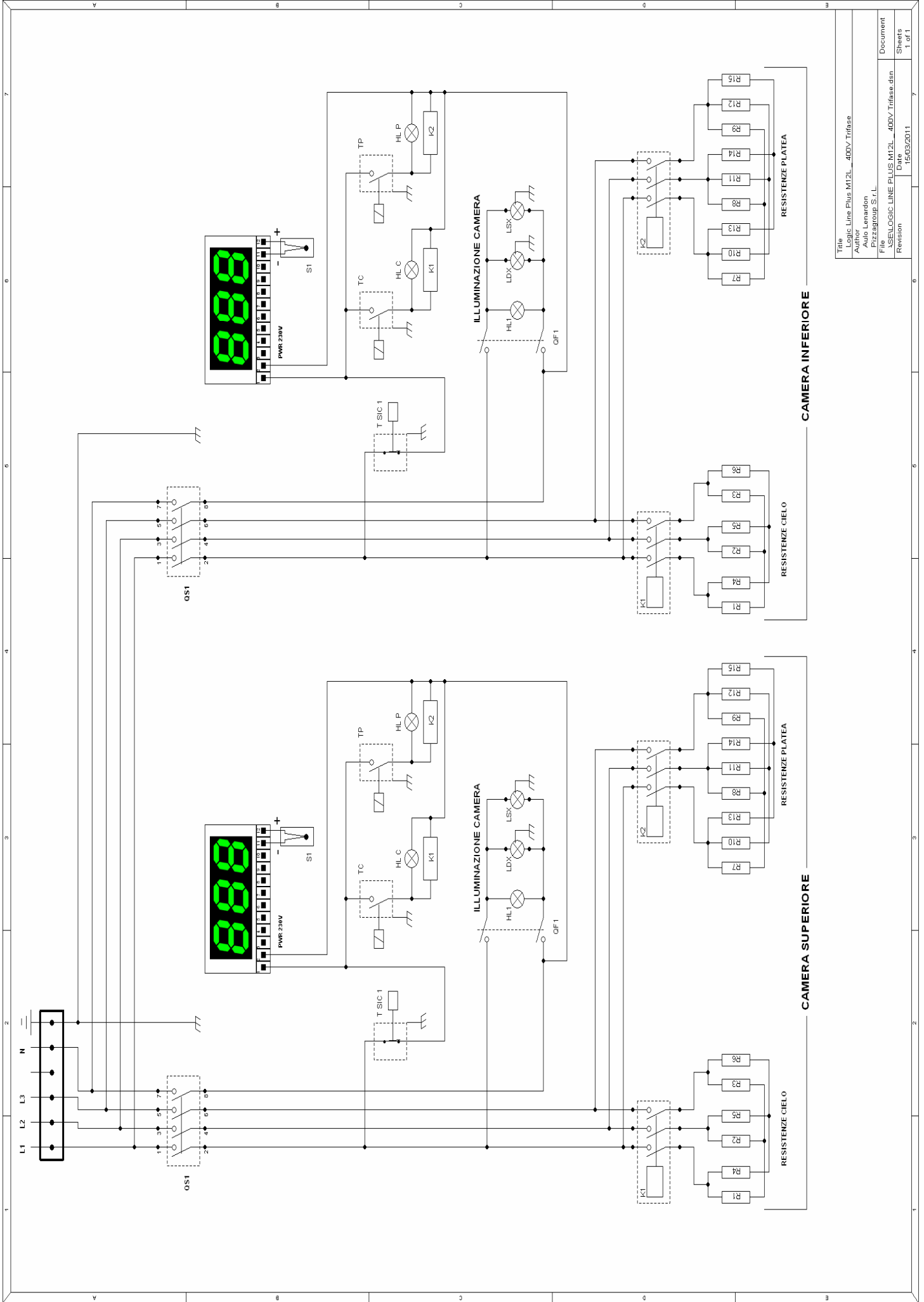
Title Logic Line Plus M6L _ 400V Trifase		
Author Aulo Lenardon Pizzagroup S.r.L.		
File :\ASE\LOGIC LINE PLUS M6L _ 400V Trifase.dsn	Document	
Revision	Date 15/03/2011	Sheets 1 of 1



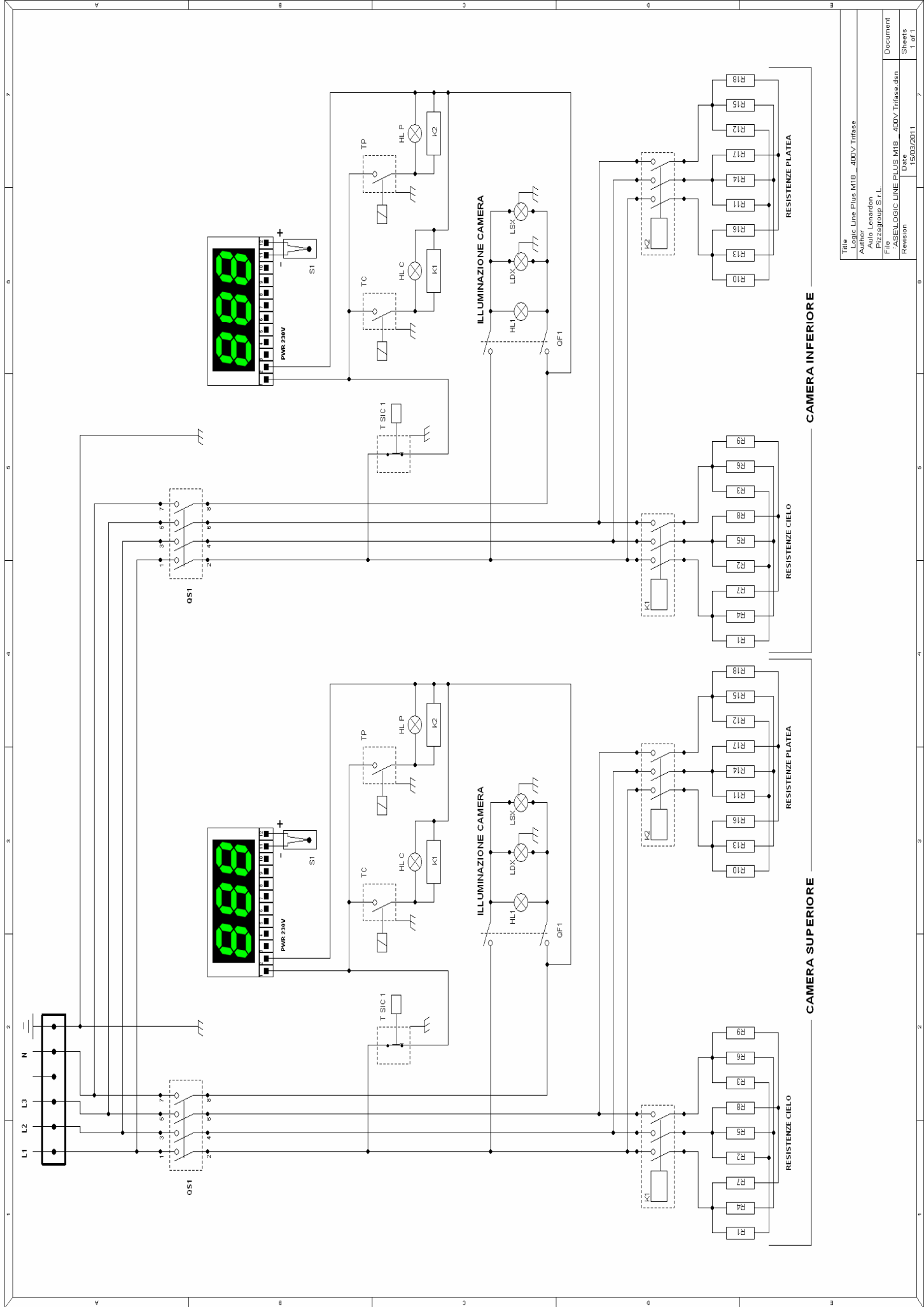
Title		
Logic Line Plus M9_400V Trifase		
Author		
Auto Lenardon		
Pizzagroup S.r.L.		
File	Document	
IFASE\LOGIC LINE PLUS M9_400V Trifase.dsn		
Revision	Date	Sheets
	15/03/2011	1 of 1



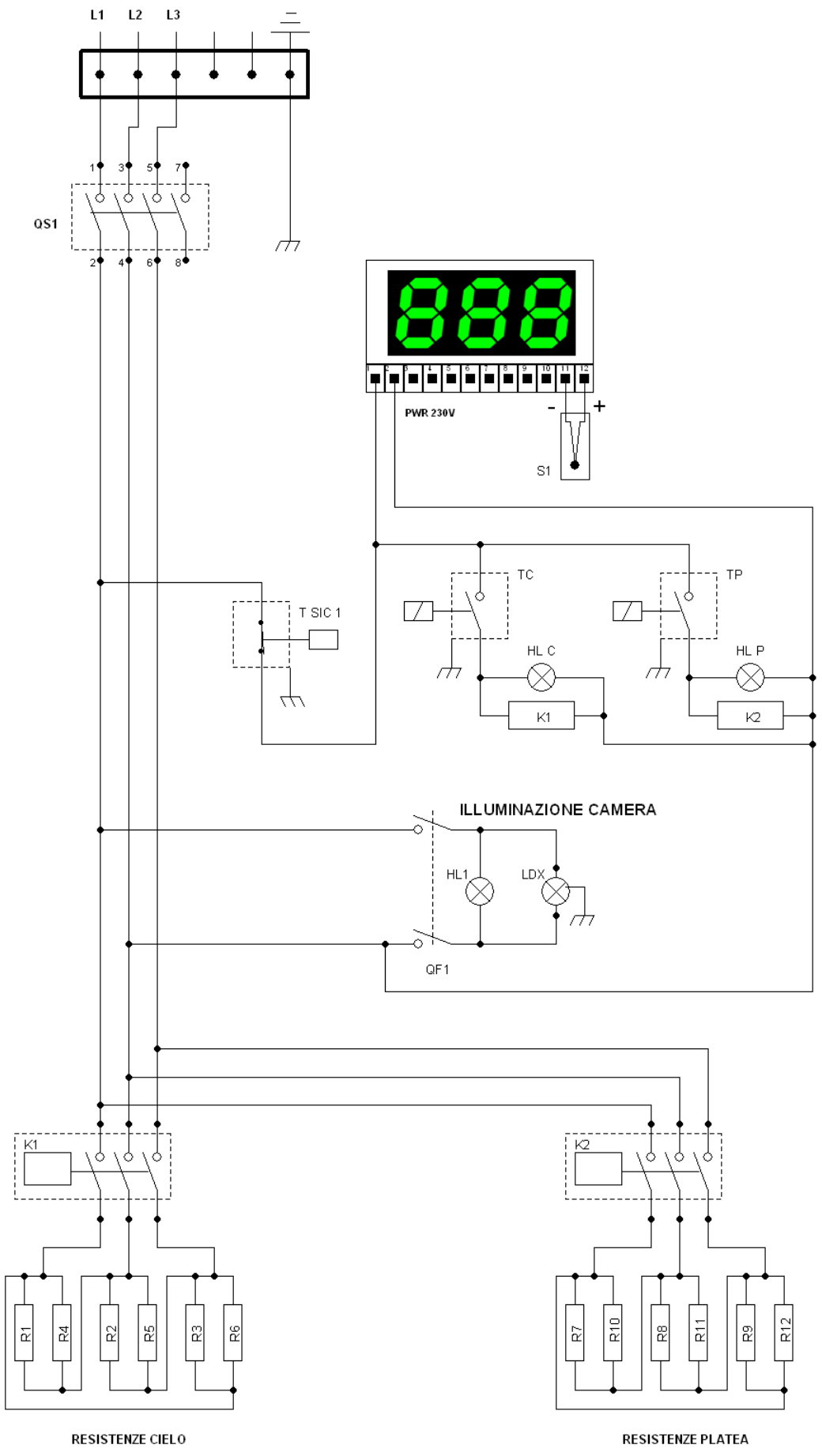
Title	AutoLogic Line Plus M12 - 400V Trifase
Author	AutoLogic
File	AutoLogic Line Plus M12 - 400V Trifase.dsn
Revision	19/03/2011
Document	1 of 1
Sheet	1 of 1



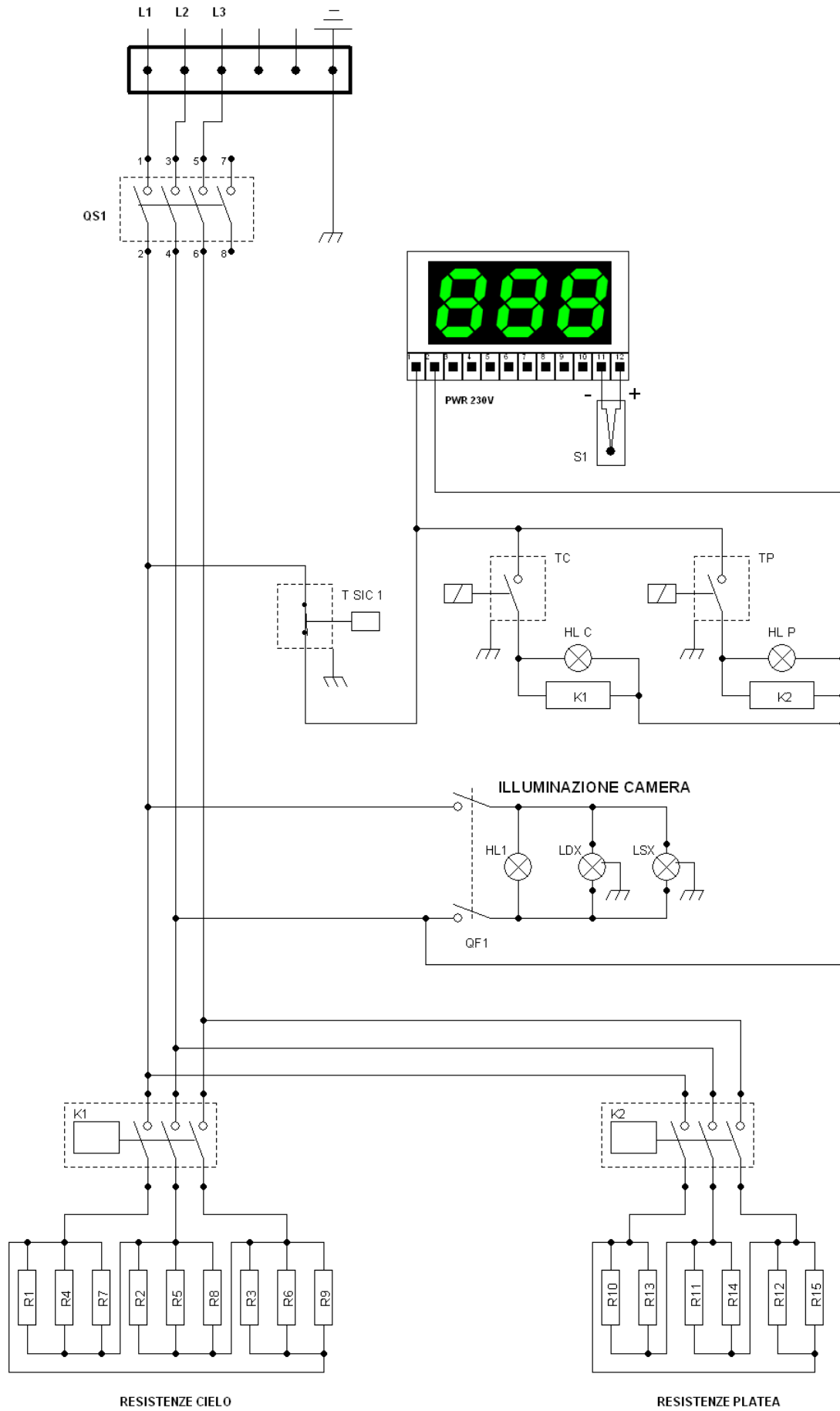
Title	Logic Line Plus M12L_400V_Trifase
Author	Auto Leonardo
File	zzzgroup_S1.L
Document	ASELOGIC LINE PLUS M12L_400V_Trifase.dsn
Revision	
Date	15/03/2011
Sheets	1 of 1



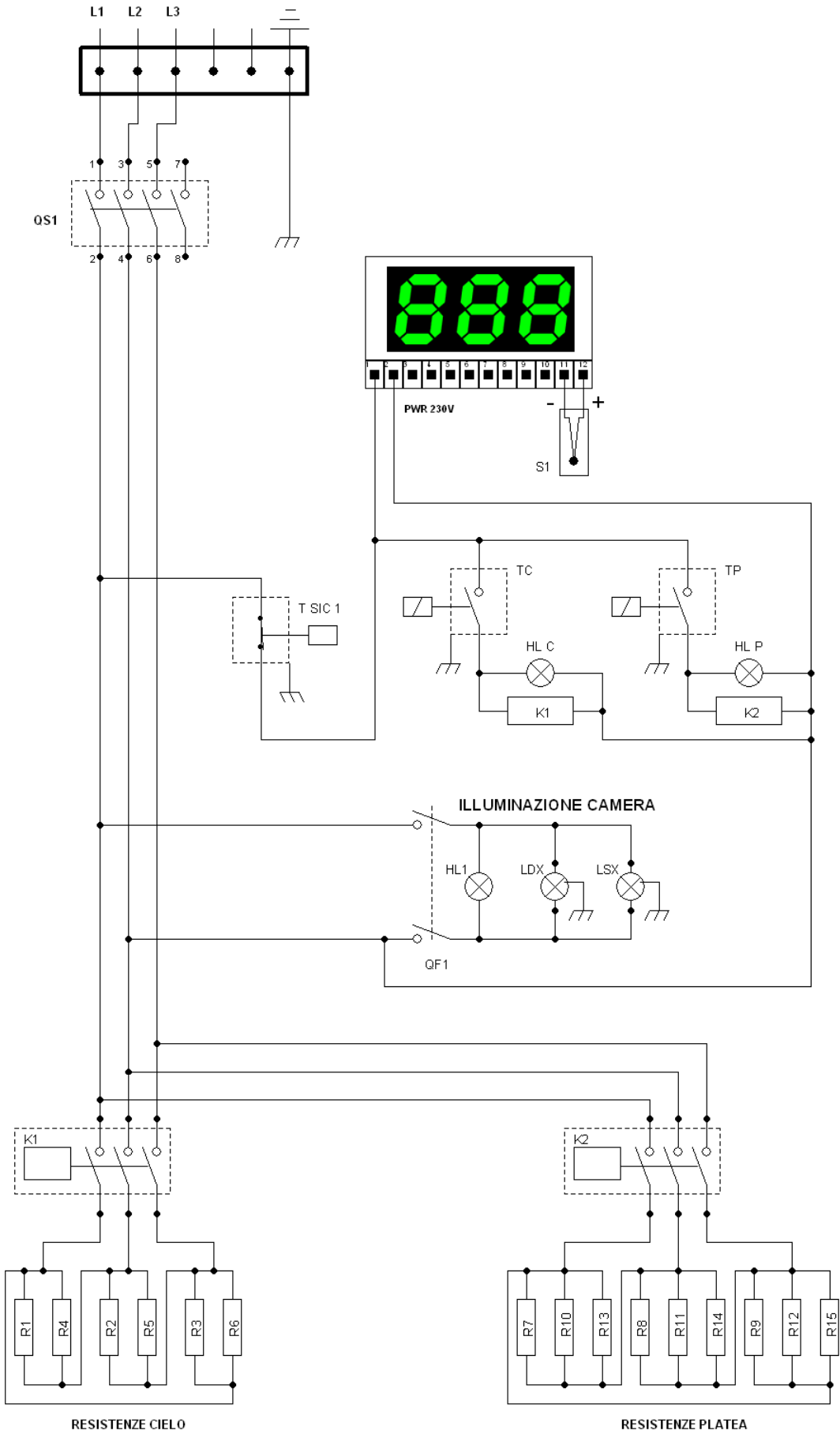
Title	Line Plus M18 - 400V Trifase
Author	Auto Leonardo Pizzagroup S.r.L.
File	ASELOGIC LINE PLUS M18 - 400V Trifase.dsn
Revision	Date: 19/03/2011
Document	Sheets
	1 of 1



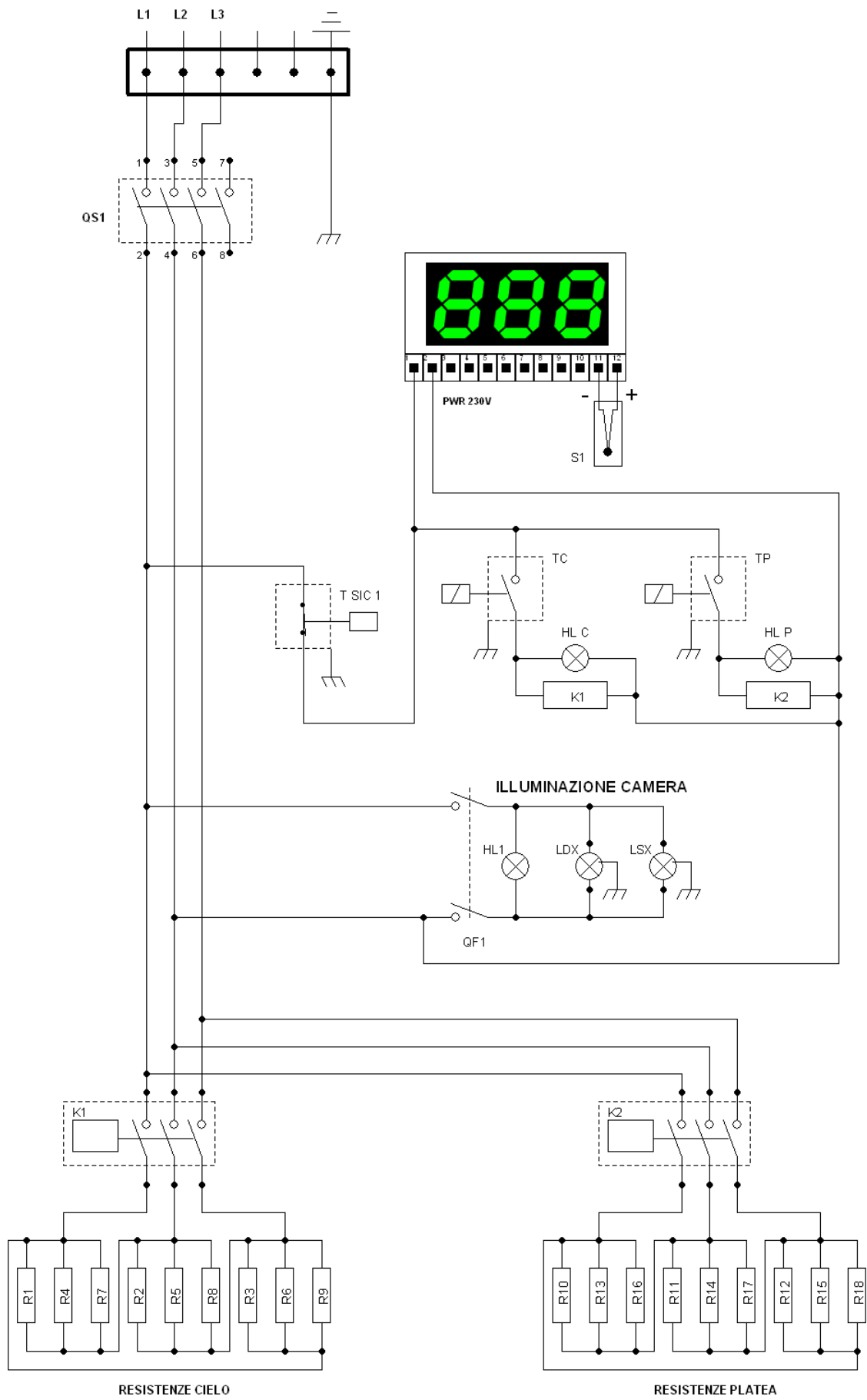
Title Logic Line Plus M4 _ 230V Trifase		
Author Aulo Lenardon Pizzagroup S.r.L.		
File IFASE\LOGIC LINE PLUS M4 _ 230V Trifase.dsn	Document	
Revision	Date 15/03/2011	Sheets 1 of 1



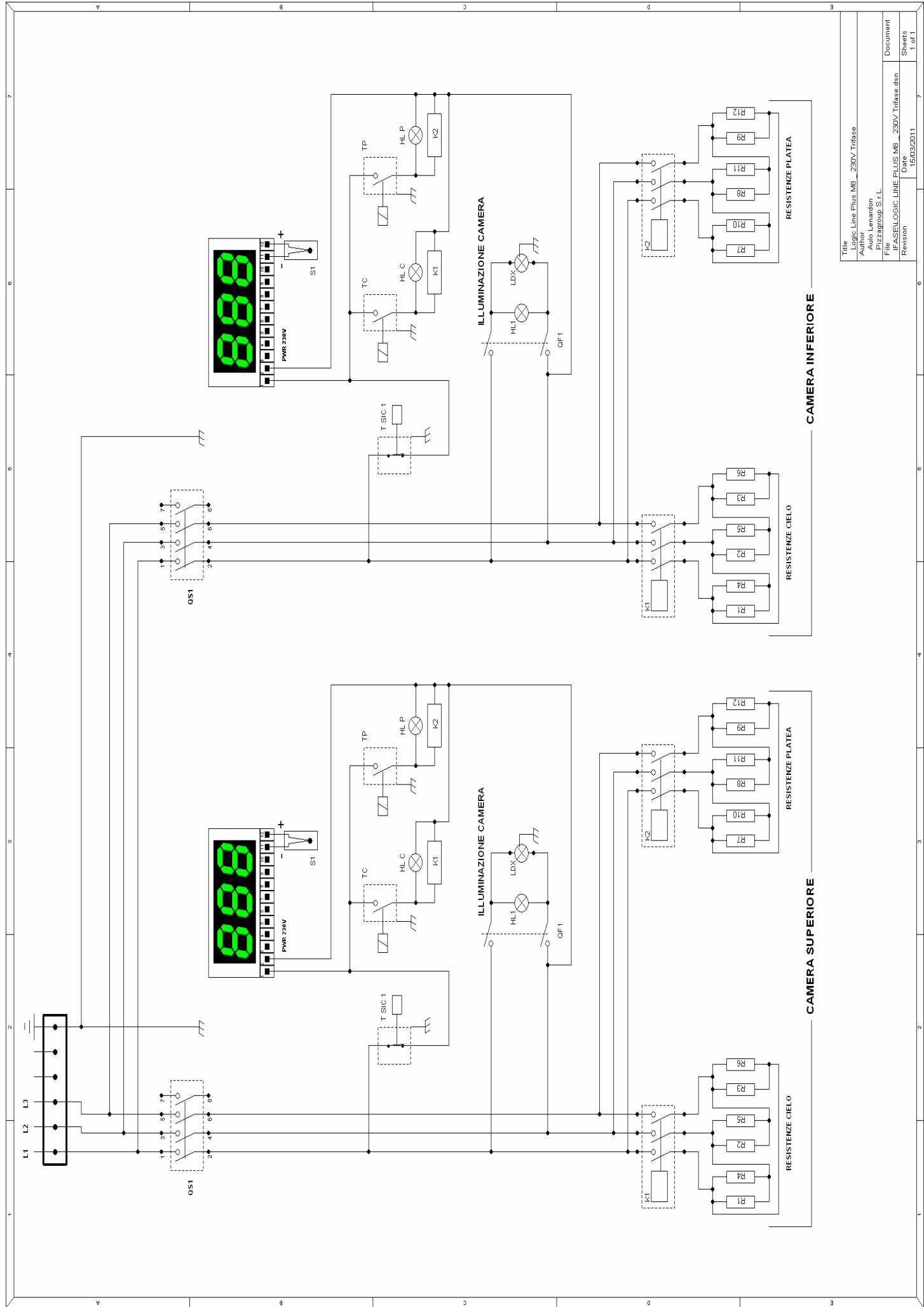
Title		
Logic Line Plus M6 _ 230V Trifase		
Author		
Auto Lenardon		
Pizzagroup S.r.L.		
File	Document	
IFASE\LOGIC LINE PLUS M6 _ 230V Trifase.dsn		
Revision	Date	Sheets
	15/03/2011	1 of 1



Title Logic Line Plus M6L _ 230V Trifase		
Author Aulo Lenardon Pizzagroup S.r.L.		
File :\ASE\LOGIC LINE PLUS M6L _ 230V Trifase.dsn	Document	
Revision	Date 15/03/2011	Sheets 1 of 1



Title		
Logic Line Plus M9_230V Trifase		
Author		
Auto Lenardon Pizzagroup S.r.L.		
File		Document
IFASE\LOGIC LINE PLUS M9_230V Trifase.dsn		Sheets
Revision	Date	1 of 1
	15/03/2011	



Title	Line Plus MB - 230V Trifase
Author	Auto Lenardon
File	Pizzagroup S.r.L.
Revision	01/19/2011
Document	IFASE/LOGIC LINE PLUS MB - 230V Trifase.dsn
Sheets	1 of 1

CAMERA INFERIORE

CAMERA SUPERIORE

RESISTENZE CIELO

RESISTENZE CIELO

RESISTENZE CIELO

RESISTENZE CIELO

RESISTENZE PLATEA

RESISTENZE PLATEA

RESISTENZE PLATEA

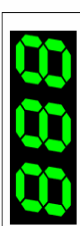
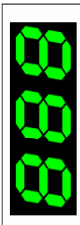
RESISTENZE PLATEA

RESISTENZE PLATEA

RESISTENZE PLATEA

ILLUMINAZIONE CAMERA

ILLUMINAZIONE CAMERA



DS1

DS1

S1

S1

T SIC 1

T SIC 1

TP

TP

TP

HLC

HLC

HLC

HLP

HLP

HLP

K1

K1

K1

K2

K2

K2

LD

LD

LD

LDx

LDx

LDx

QF1

QF1

QF1

L1 L2 L3

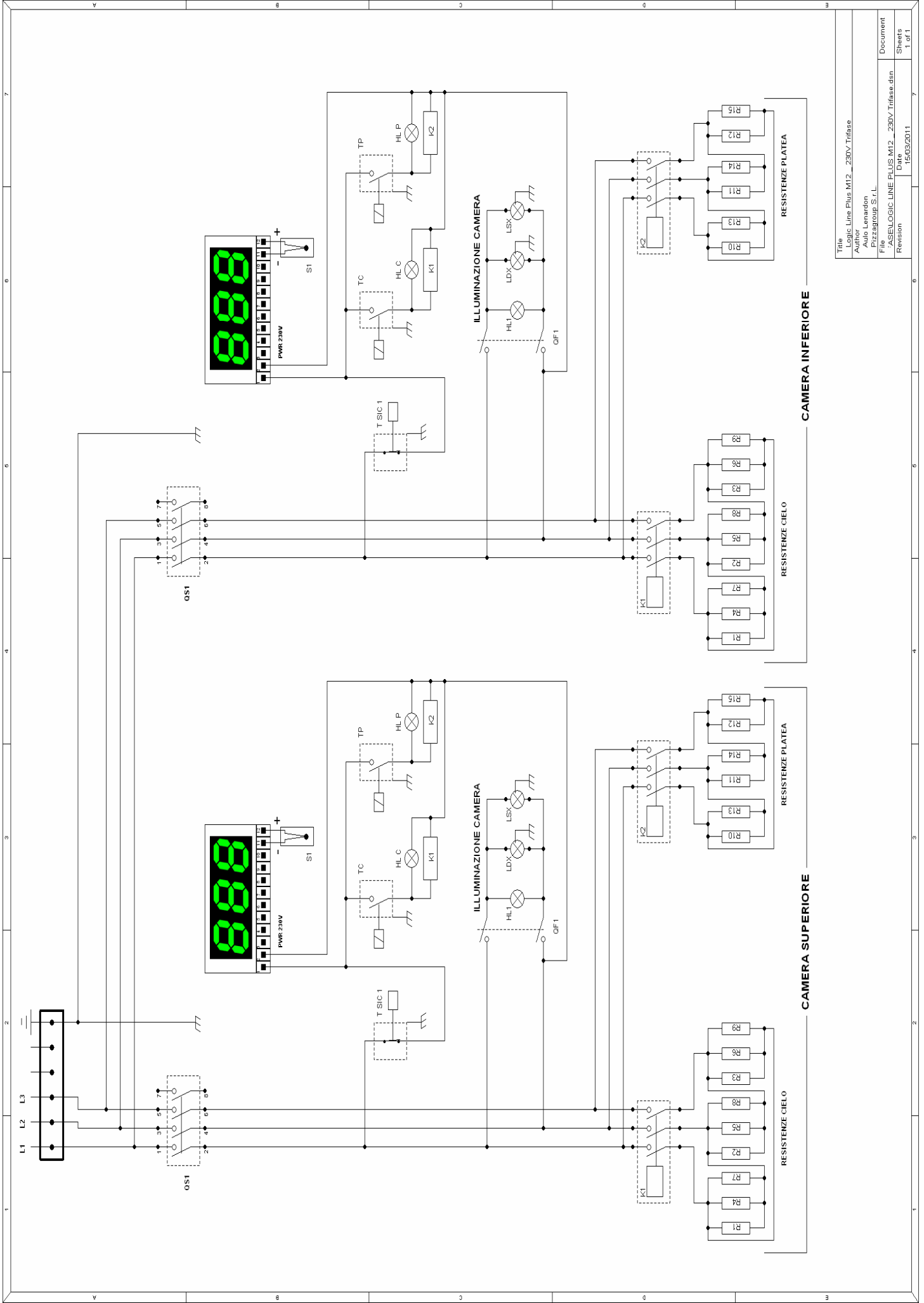
L1 L2 L3

1 2 3 4 5 6 7 8

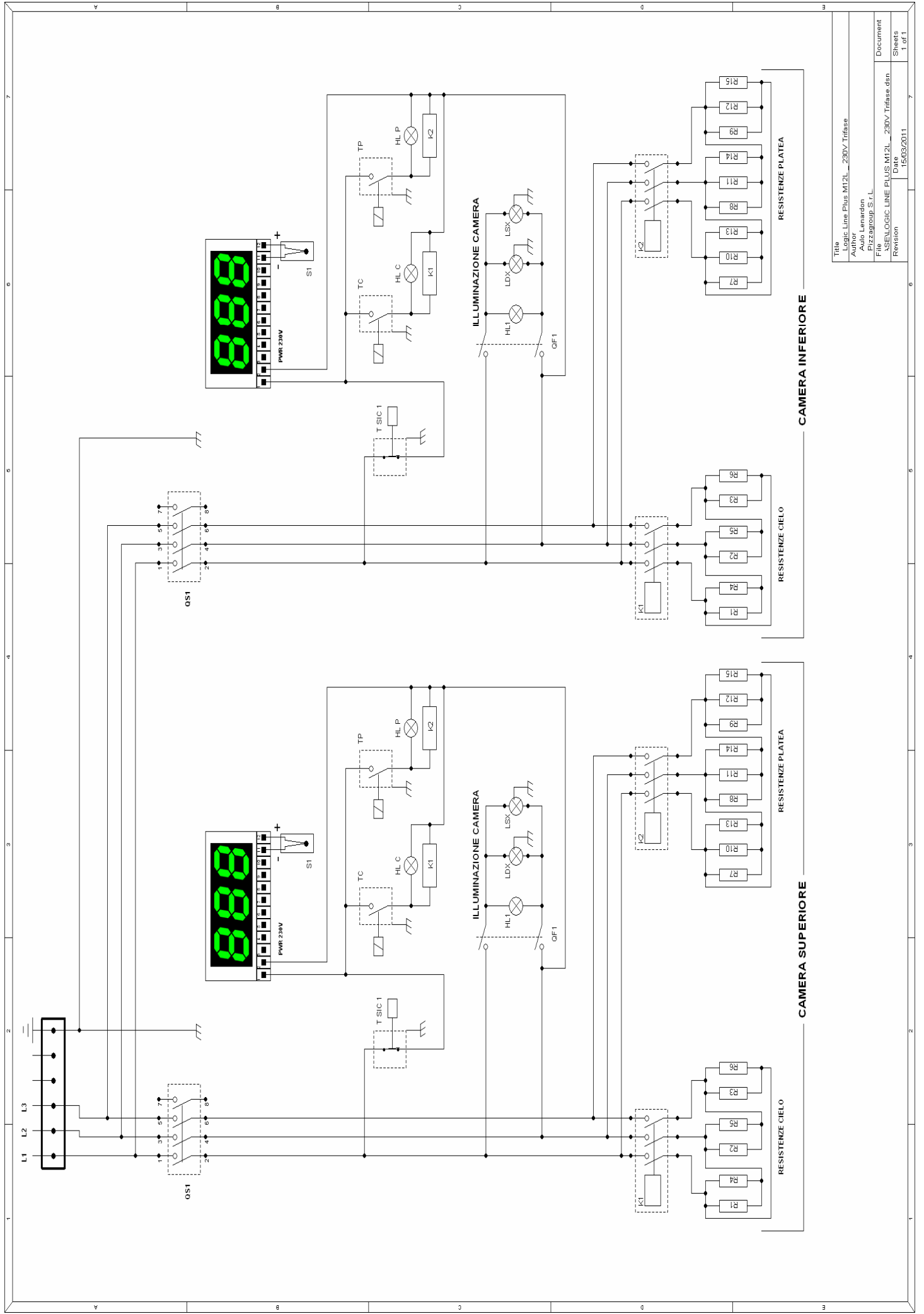
1 2 3 4 5 6 7 8

1 2 3 4 5 6 7 8

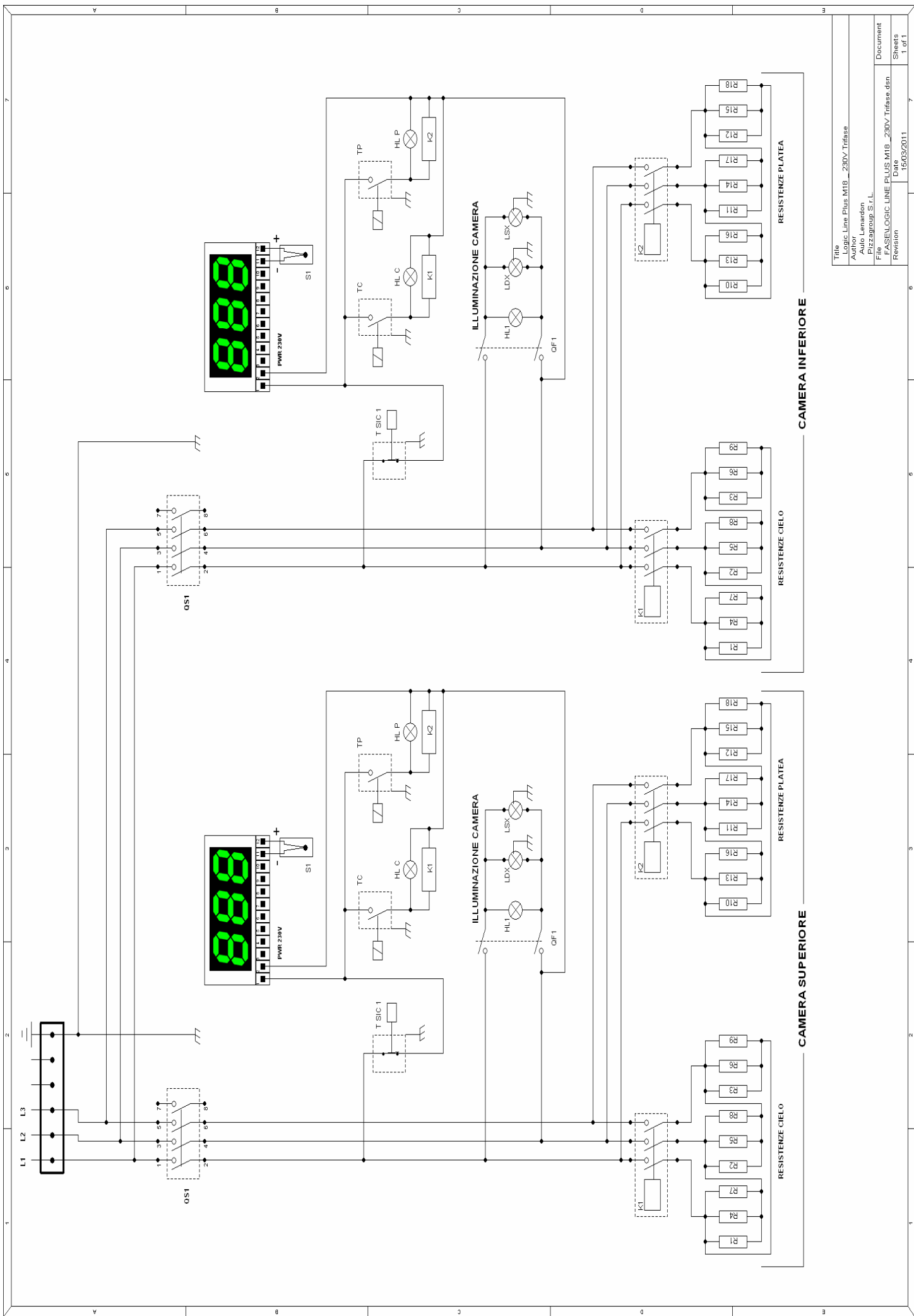
1 2 3 4 5 6 7 8



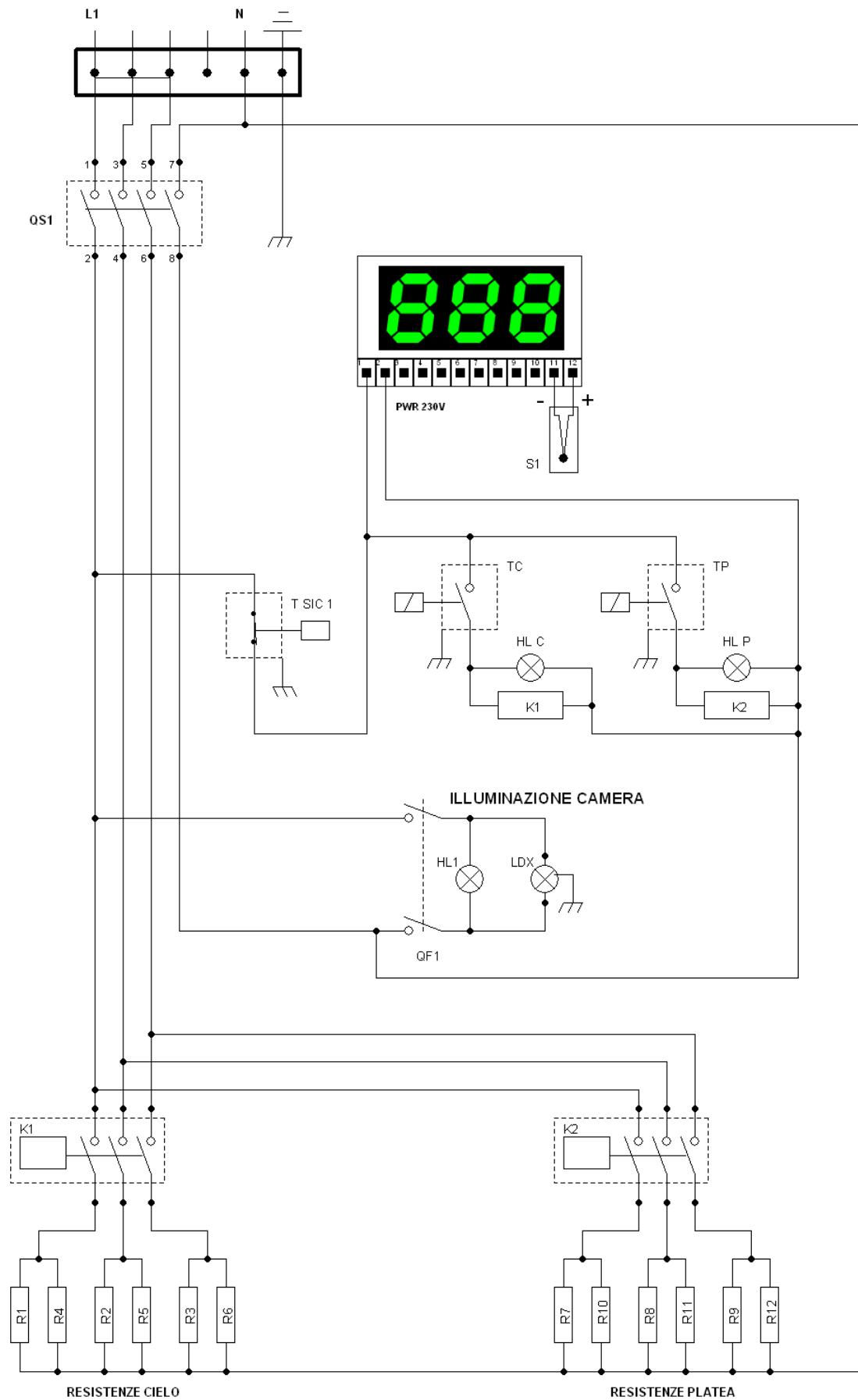
Title	Logic Line Plus M12 - 230V Trifase
Author	Auto Leonardo F. Mazzagroup S.T.L.
Document	'ASEALOGIC LINE PLUS M12 - 230V Trifase.dsn
Revision	Date 15/03/2011
Revision	1 of 1



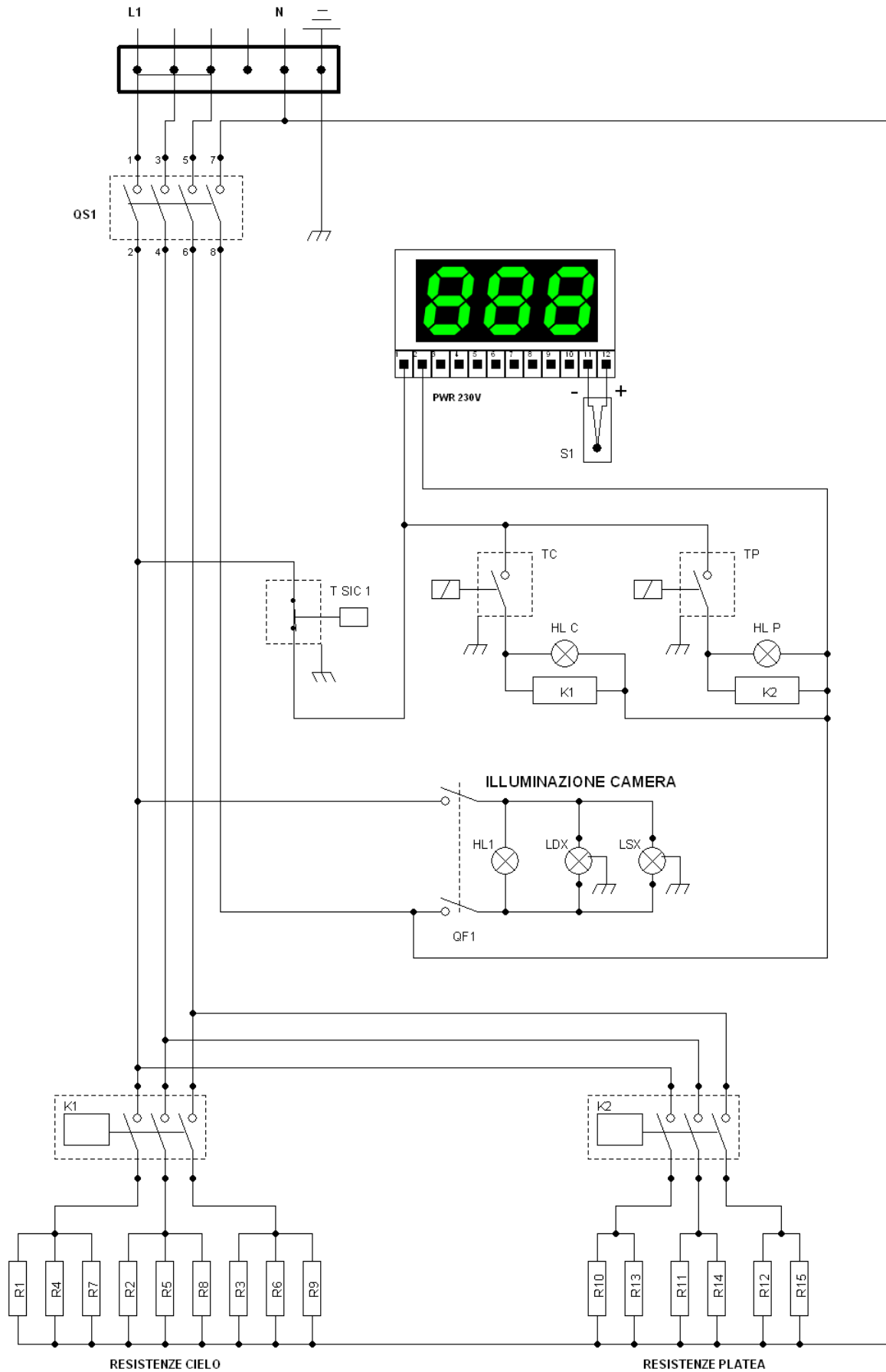
Title	Line Plus M12L_230V_Trifase
Author	Autio Lenardon
File	Pizzagroup S.r.l.
Document	XSELOGIC LINE PLUS M12L_230V_Trifase.dwg
Sheet's	1 of 1
Revision	15/03/2011



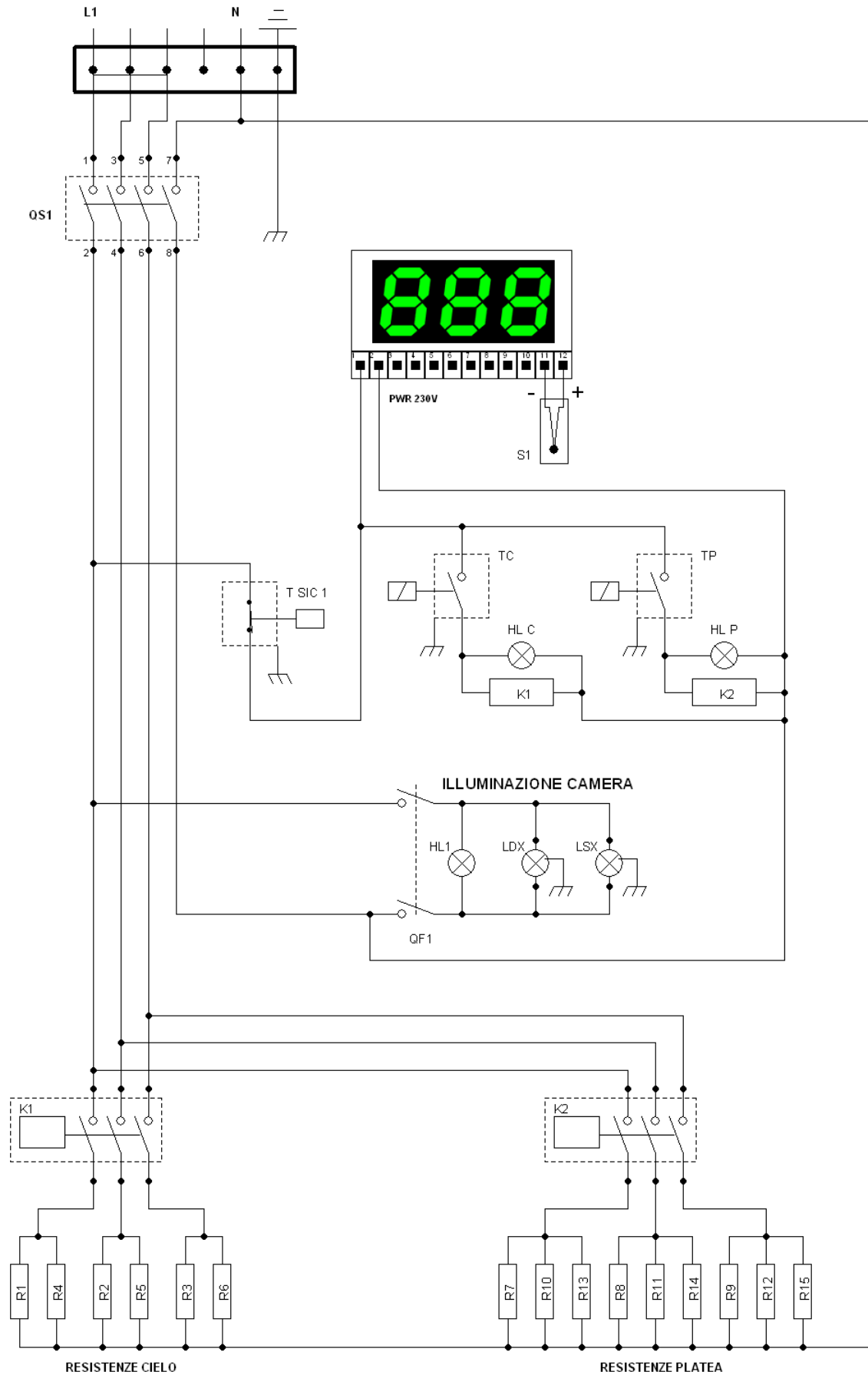
Title	Logic Line Plus M1B - 230V Trifase
Author	Aulo Lenardon
File	FASELOGIC LINE PLUS M1B - 230V Trifase.dgn
Revision	15/03/2011
Date	
Revision	
Document	
Sheets	1 of 1



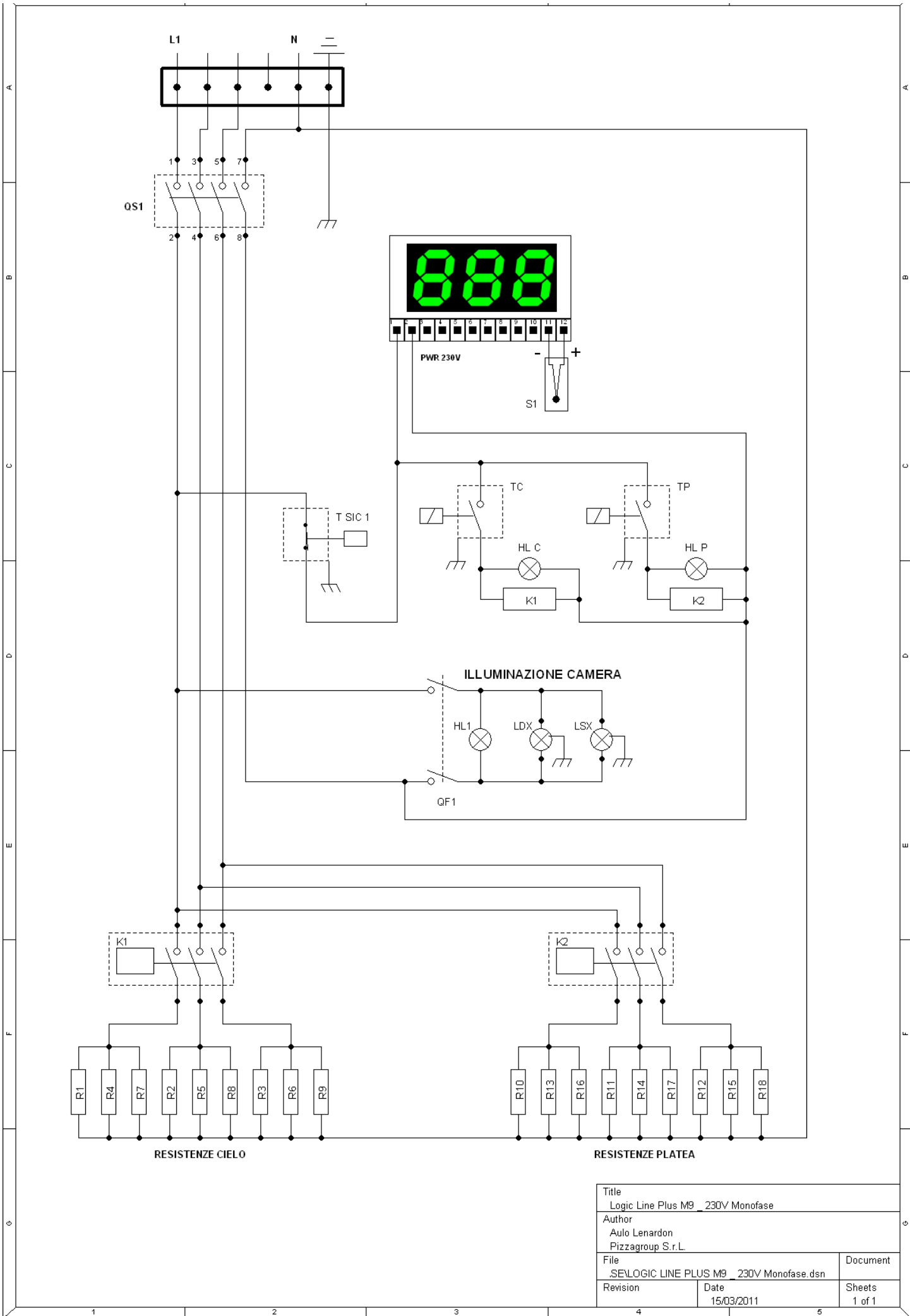
Title Logic Line Plus M4_230V Monofase		
Author Auto Lenardon Pizzagroup S.r.L.		
File _SE\LOGIC LINE PLUS M4_230V Monofase.dsn	Document	
Revision	Date 15/03/2011	Sheets 1 of 1



Title Logic Line Plus M6_230V Monoase		
Author Auto Lenardon Pizzagroup S.r.L.		
File _SELOGIC LINE PLUS M6_230V Monofase.dsn	Document	
Revision	Date 15/03/2011	Sheets 1 of 1



Title		
Logic Line Plus M6L_230V Monoase		
Author		
Aulo Lenardon		
Pizzagroup S.r.L.		
File		Document
J:\FASE\LOGIC LINE PLUS M6L_230V\Monofa.dsn		
Revision	Date	Sheets
	15/03/2011	1 of 1



Title Logic Line Plus M9 _230V Monofase		
Author Auto Lenardon Pizzagroup S.r.L.		
File _SE\LOGIC LINE PLUS M9 _230V Monofase.dsn	Document	
Revision	Date 15/03/2011	Sheets 1 of 1

Legenda schema elettrico	
QS1-QS2	INTERRUTTORE GENERALE
TC1-TC2	TERMOSTATO RESISTENZE CIELO
TP1-TP2	TERMOSTATO RESISTENZE PLATEA
QF1	INTERRUTTORE LUCE CAMERA
LDX - LSX	LUCE ILLUMINAZIONE CAMERA DX e SX
HL1-HL2	SPIA INTERRUTTORE LUCE CAMERA
HLC1-HLC2	SPIA ATTIVAZIONE RESISTENZE CIELO
HLP1-HLP2	SPIA ATTIVAZIONE RESISTENZE PLATEA
R1...R18	RESISTENZE
TSIC1-TSIC2	TERMOSTATO DI SICUREZZA
K1-K2-K3-K4	TELERUTTORE

Electrical scheme legend	
QS1-QS2	MAIN SWITCH
TC1-TC2	TOP HEATING ELEMENTS THERMOSTAT
TP1-TP2	BOTTOM HEATING ELEMENTS THERMOSTAT
QF1-QF2	COOKING CHAMBER LIGHT SWITCH
LDX - LSX	COOKING CHAMBER LIGHT DX and SX
HL1-HL2	COOKING CHAMBER LIGHT SWITCH LED
HLC1-HLC2	TOP HEATING ELEMENTS FUNCTION PILOT LIGHT
HLP1-HLP2	BOTTOM HEATING ELEMENTS FUNCTION PILOT LIGHT
R1...R18	HEATING ELEMENTS
TSIC1-TSIC2	SAFETY THERMOSTAT
K1-K2-K3-K4	CONTACTOR