

06/2016

Mod: LD9/35-N

Production code: P08LG06004



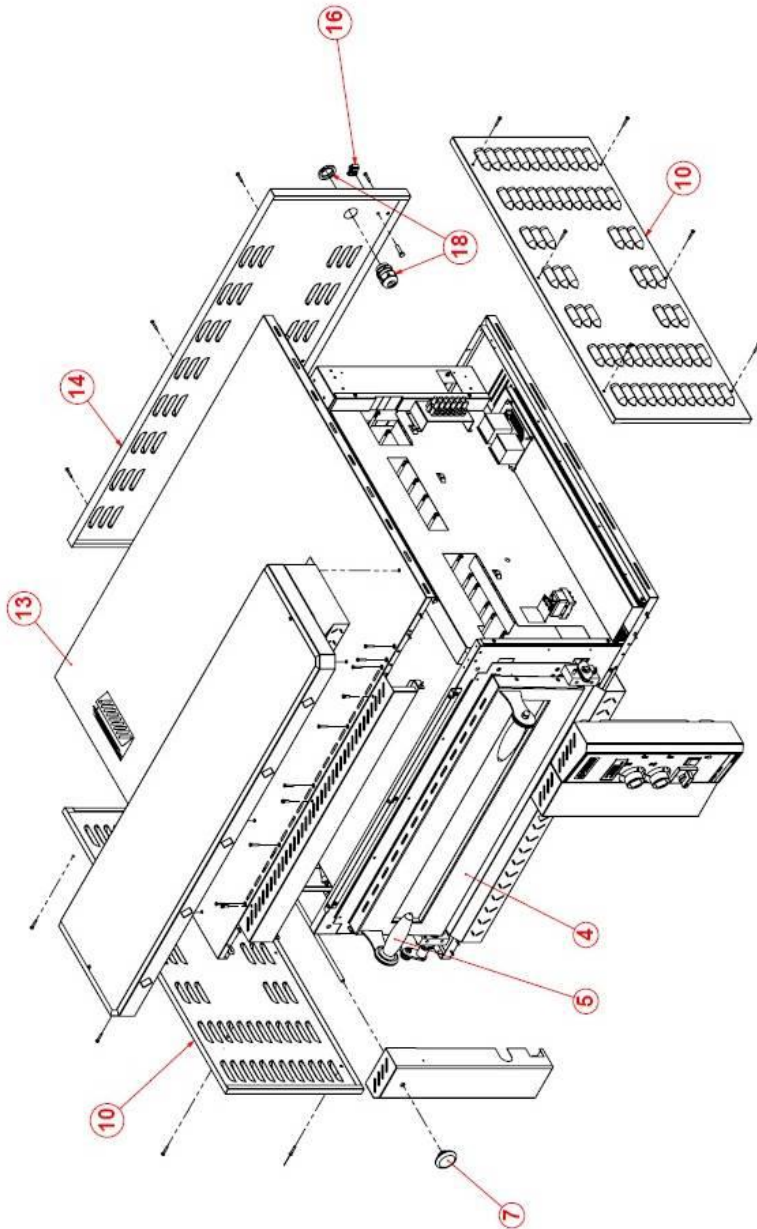
Diamond
catering equipment

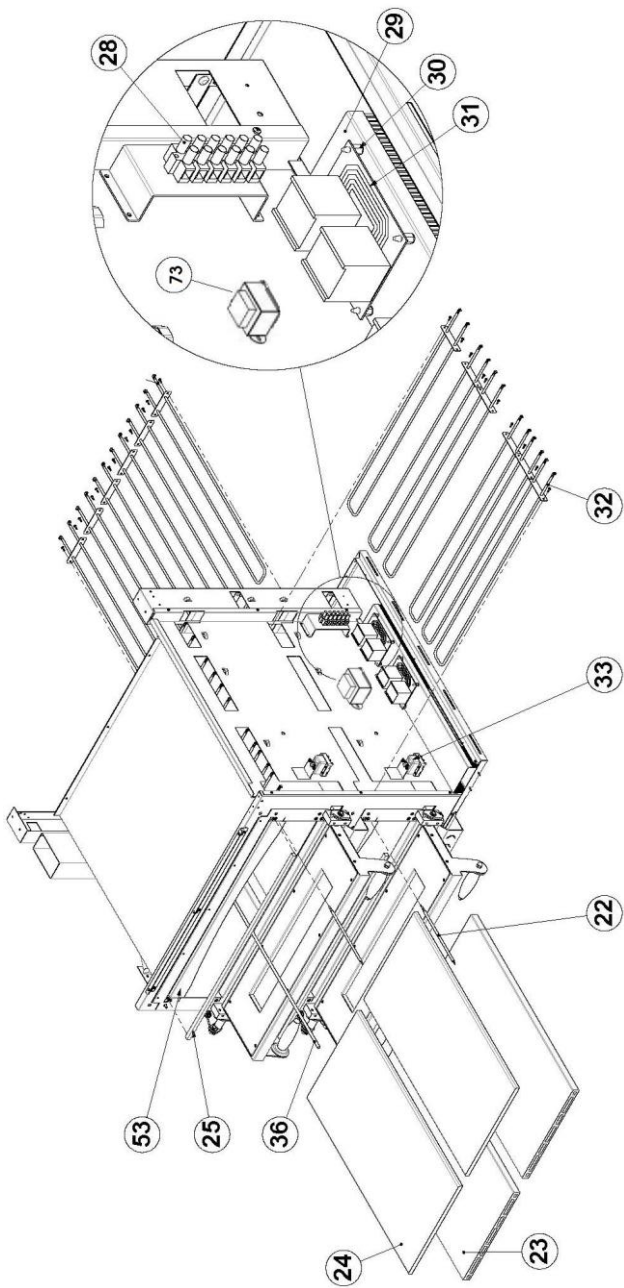


LOGIC LINE PLUS OVENS

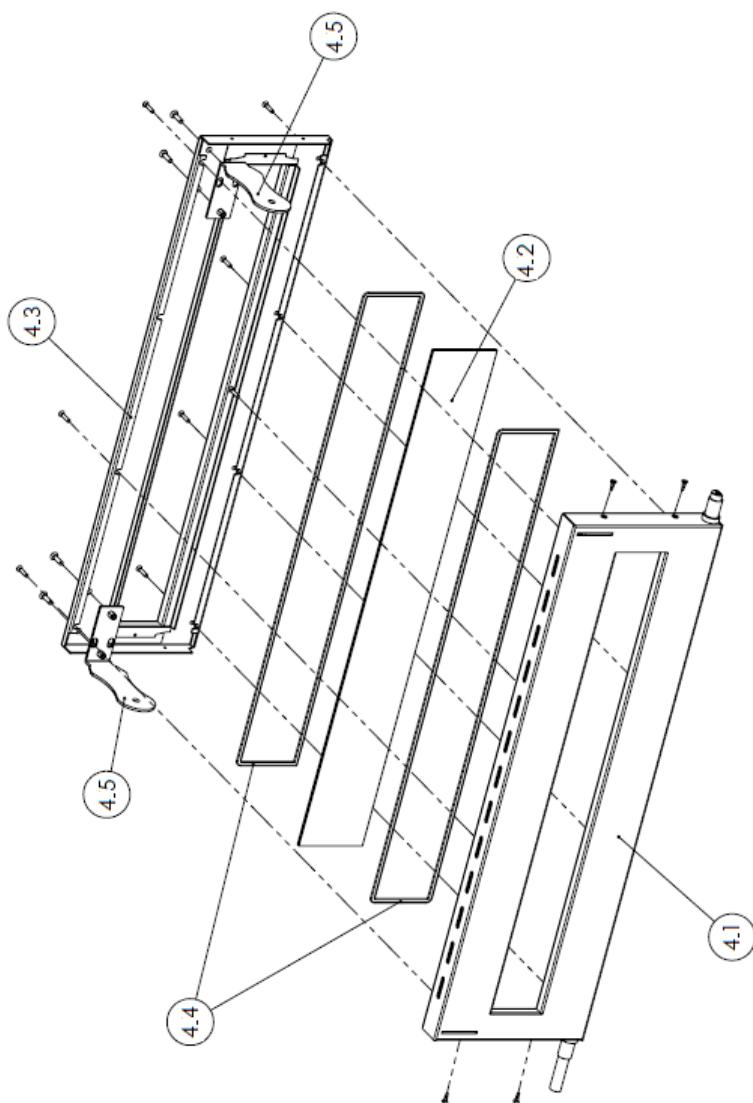
**LD4/35-N ÷ LD6/35-N ÷ LD6/35XL-N ÷ LD9/35-N
LD8/35-N ÷ LD12/35-N ÷ LD12/35XL-N ÷ LD18/35-N**

EXPLODED VIEW and SPARE PARTS LIST





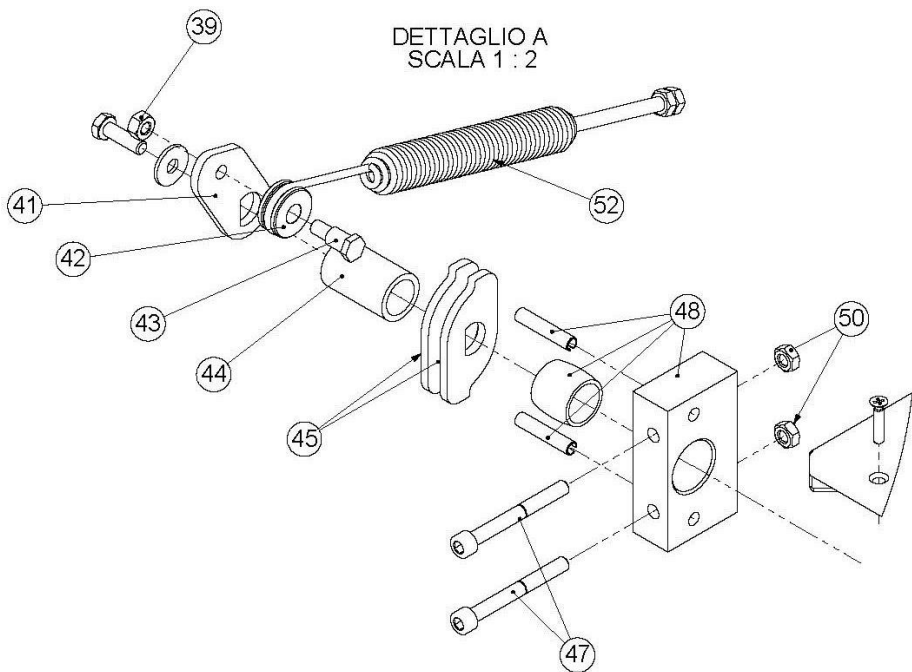
Detail Position 4



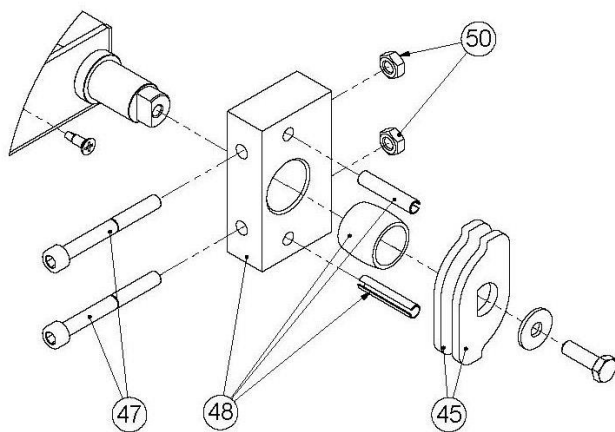
S35FN64025 - LOGIC PLUS 4-6-8-12 (2013) OVEN COMPLETE DOOR			
Pos.	Code	Description	Q.ty
4.1	S66PT64011	OVEN DOOR ASSEMBLY 4-6-8-12 (2013)	1
4.2	A00PT57001	GLASS CERAMIC SHEET Meas. 705X94X4 mm	1
4.3	S66CG64011	OVEN DOOR-FRAME ASSEMBLY 4-6-8-12	1
4.4	A94NC00006	TAPE IN WHITE GLASS FIBRE WITH ADHESIVE SIDE 6X2 mm	2
4.5	S42MG64009	OVEN HANDLE SUPPORT PLATE (2013)	2

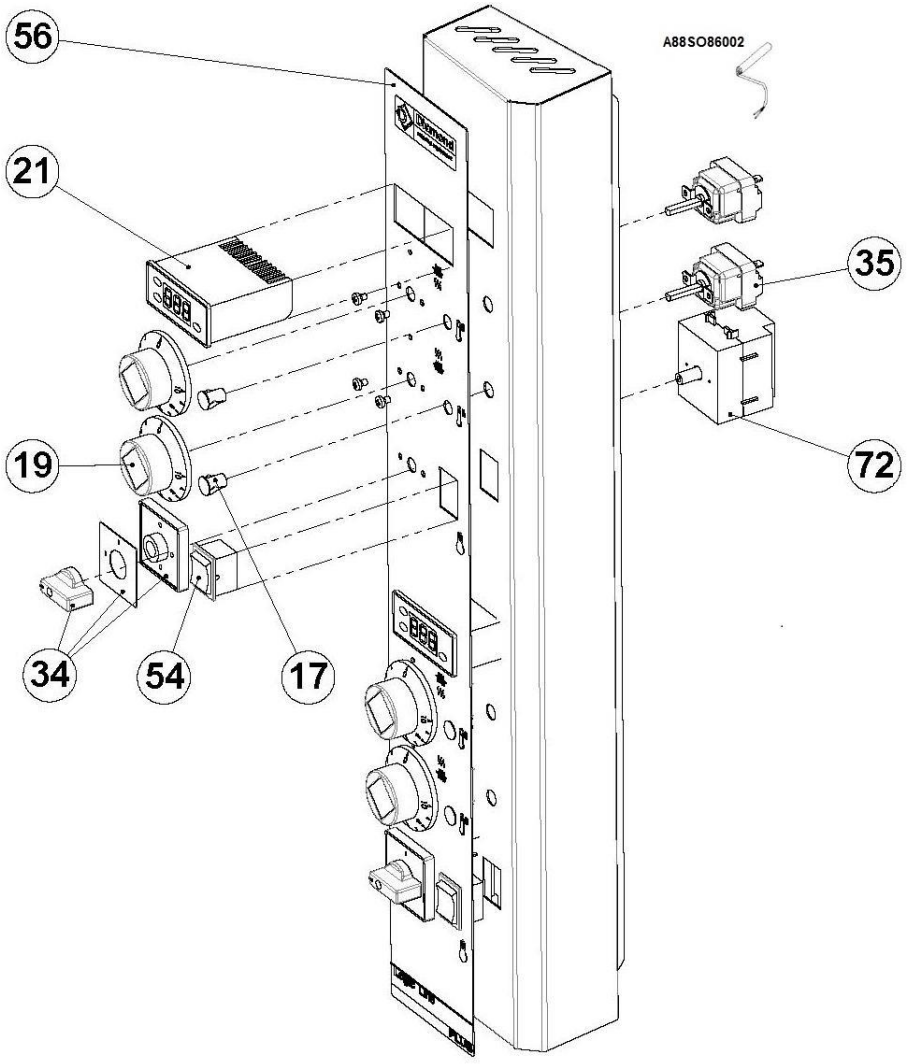
S35FN64030 - LOGIC PLUS 6L-9-12L-18 (2013) COMPLETE OVEN DOOR			
Pos.	Code	Description	Q.ty
4.1	S66PT64012	OVEN DOOR ASSEMBLY 6L-9-12L-18 (2013)	1
4.2	A00PT64001	GLASS CERAMIC SHEET Meas. 865X94X4 mm	1
4.3	S66CG64012	OVEN DOOR-FRAME ASSEMBLY 6L-9-12L-18 (2013)	1
4.4	A94NC00006	TAPE IN WHITE GLASS FIBRE WITH ADHESIVE SIDE 6X2 mm	2
4.5	S42MG64009	OVEN HANDLE SUPPORT PLATE (2013)	2

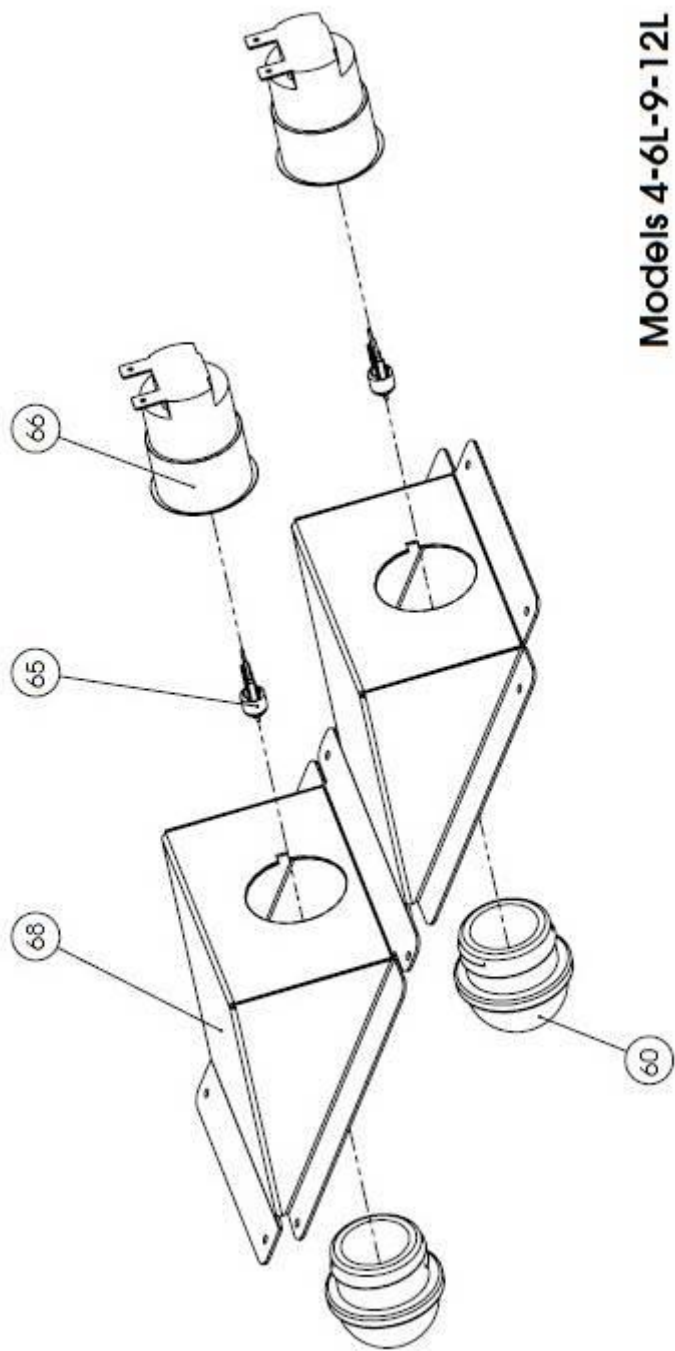
DETTAGLIO A
SCALA 1 : 2



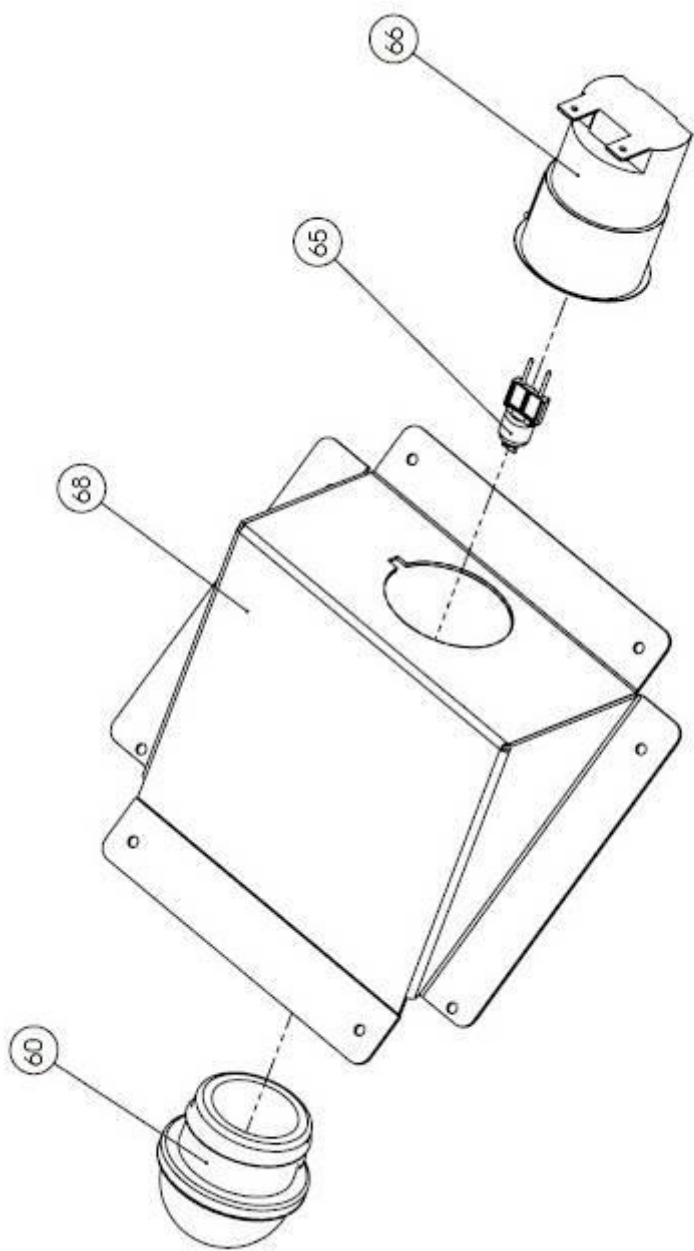
DETTAGLIO B
SCALA 1 : 2







Models 4-6L-9-12L



Models 6-9-12-18

Model LD9/35-N (M9)

Pos.	Code	Description
4	S35FN64030	COMPLETE OVEN DOOR 6L÷9÷12L÷18
5	S66MG58001	LOGIC PLUS LINE OVENS DOOR HANDLE ASSEMBLY
7	S35FN64005	ABS GREY FLUE CLOSING KNOB
10	S40LT58007	LOGIC LINE PLUS 6÷9 OVEN SIDE PANEL
11	S41CU58001	PLAQUE FOR FLUE COVER
	S66CF63001	FLUE COVER ASSEMBLY
13	S32FN20003	LOGIC PLUS LINE 6÷18 UPPER LID
14	S40PS58003	OVEN REAR PANEL LOGIC LINE PLUS÷PYRALIS 6L÷9
18	A86EL47003	NUT FOR CABLE GLAND OBO 106 PG 21
	A86EL46004	CABLE GLAND OBO 106 PG 21
16	A86EL48001	EQUIPOTENTIAL ATTACHMENT
17	A87IL72005	TRANSPARENT LED BULB 380V (INCLUDING HOOD)
19	S73FN55007	AP10 GREY LOGIC OVEN THERMOSTAT KNOB
21	A88TC84001	EVK100J7 DIGITAL THERMOMETER
22	A88SO86002	PROBE T4JA44VH 9,5 IPD-f S/M 600°C
23	A95FA65004	PERFORATED BLOCK 1050X350X22
24	A95OO65009	TILE PRIME-PROFESSIONAL UPPER 6-9-12-18
25	A94NC00004	CORD 15X12
26	A87RZ65056	RESISTANCE 580 W 230 V
28	A87CX62006	MAMMUT ASSEMBLY
31	A88SE81002	PIZZA OVEN RELAYS BOARD
32	A87RZ65010	RESISTANCE 900 W 230 V
33	A88TX77004	UNIPOLAR SAFETY THERMOSTAT
34	A87AZ69011	GIOVENZANA 48X48 GREY/BLACK INT.MASK 32A
35	A88TX77005	EGO UNIPOLAR THERMOSTAT FOR 470° OVENS BULB 163 MM
36	S50ST64001	HEATERS SUPPORT 6-9-12-18
38	A86ME26007	WASHER Ø 6.4 DIN 9021
39	A86ME25013	SELF-TAPPING NUT M6 DIN 980 V
40	A86ME24015	HEX HEAD SCREW DIN 933 M6X20
41	S42ML64001	SPRING FIXING SPLINE LOGIC PLUS LINE
42	S74ML63002	SPRING ROTATION WHEEL RELEASE 2011
43	S69RT63001	WHEEL ROTATION PIN RELEASE 2011
44	S74PT64001	LOGIC PLUS LINE DOOR SPLINES SPACER
45	S42FE58002	LOGIC PLUS LINE DOOR STOP SPLINE
47	A86ME24038	COUNTERSUNK HEX HEAD SCREW M6x55
48	S49PT64001	DOOR FIXING BLOCK
	S64RT58001	LOGIC DOOR ROTATION BUSH
	A86ME31001	SHOT PIN Ø 3x16

50	A86ME25002	HEXAGONAL NUT DIN 934 M6
52	A86ME30012	SPRING
53	S52CO64003	CORD SUPPORT 6L÷9÷12L÷18
54	A87AZ69001	LUMINOUS BI-POLAR SWITCH 0-1 CV2
56	A93OL65034	LOGIC PLUS LINE 175MY 389X100 SINGLE CHAMBER POLYCARB. LABELLING DEV.
60	A87IL74006	DOME-FORM LAMP GLASS 77.222.-503.00
65	A87IL72013	HALOGEN BULB 12V 20W G4
66	A87IL73007	BULB HOLDER G4 12V 20W BJB 77.912
68	S52PD64013	BULB HOLDER SUPPORT
72	A87AZ69009	GIOVENZANA SWITCH SE323004R+0010001 32A 4P
73	A87IL72012	TRANSFORMER 40VA 50/60Hz 230V÷12V

HEATING ELEMENTS

MODEL	POSITION	Q.TY	CODE	POWER (W)
LOGIC LINE PLUS 4 LD4/35-N	32	6	A87RZ65006	700
	26	6	A87RZ65054	400
LOGIC LINE PLUS 6 LD6/35-N	32	9	A87RZ65055	600
	26	6	A87RZ65056	580
LOGIC LINE PLUS 6L LD6/35XL-N	32	6	A87RZ65010	900
	26	9	A87RZ65054	400
LOGIC LINE PLUS 9 LD9/35-N	32	9	A87RZ65010	900
	26	9	A87RZ65056	580
LOGIC LINE PLUS 8 LD8/35-N	32	12	A87RZ65006	700
	26	12	A87RZ65054	400
LOGIC LINE PLUS 12 LD12/35-N	32	18	A87RZ65055	600
	26	12	A87RZ65056	580
LOGIC LINE PLUS 12L LD12/35XL-N	32	12	A87RZ65010	900
	26	18	A87RZ65054	400
LOGIC LINE PLUS 18 LD18/35-N	32	18	A87RZ65010	900
	26	18	A87RZ65056	580
