

01/2013

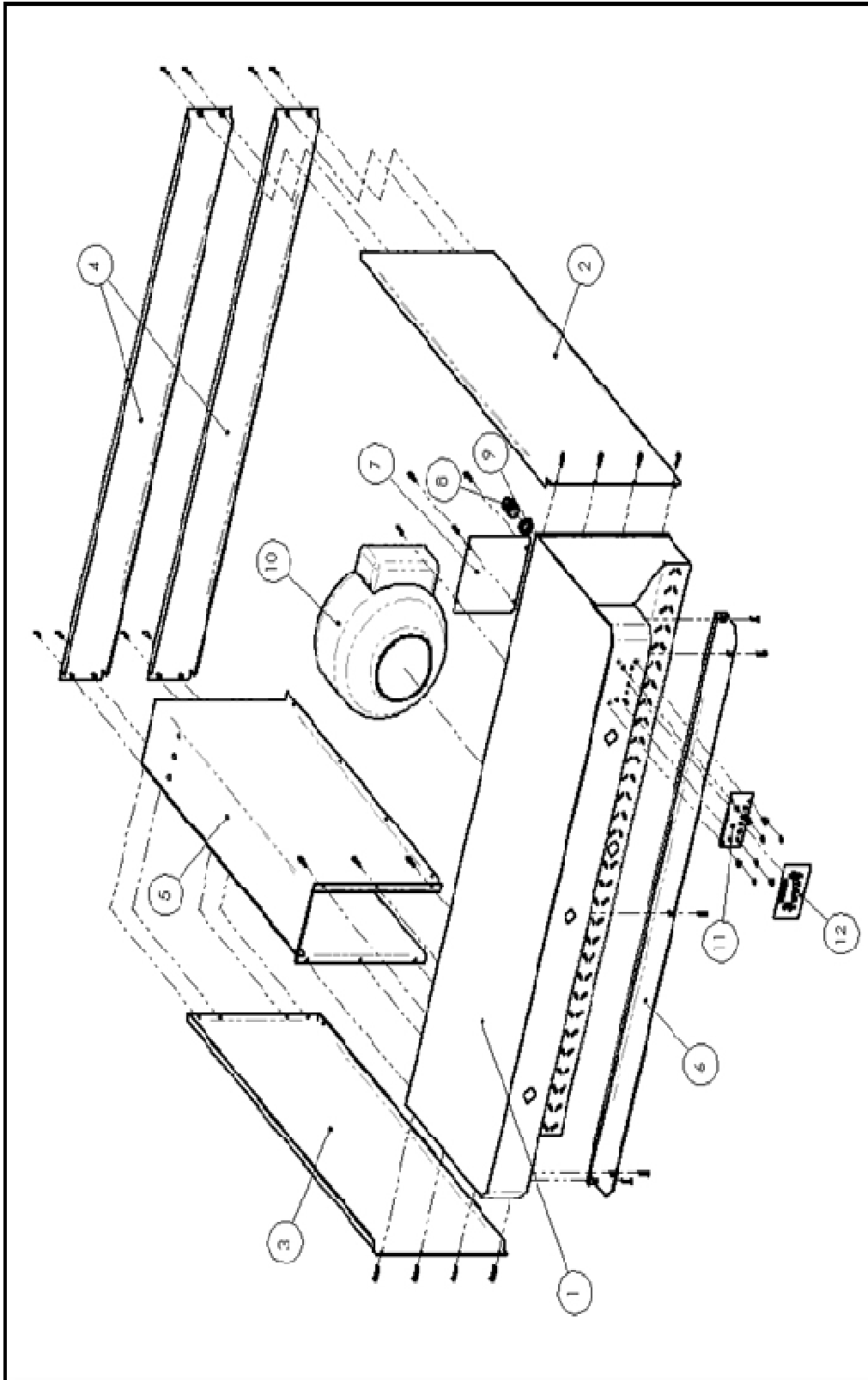
Mod: KLD6-12/35XLAS-N

Production code: P13PY06003



Diamond
catering equipment

9 EXPLODED SPARE PARTS VIEW



| PIÈCES DE RECHANGE | | | | |
|---------------------------|-----------------------|------------------------|--------------------------|------------------------|
| Modèle | | | | |
| | Logic Plus 4÷8 | Logic Plus 6÷12 | Logic Plus 6L÷12L | Logic Plus 9÷18 |
| | KLD4/35AS-N | KLD6/35AS-N | KLD6/35XLAS-N | KLD9/35AS-N |
| Pos. | | | | |
| 1 | S65CA58009 | S65CA58009 | S65CA58010 | S65CA58010 |
| 2 | S60CA64001 | S60CA58005 | S60CA64001 | S60CA58005 |
| 3 | S60CA64005 | S60CA58006 | S60CA64005 | S60CA58006 |
| 4 | S74CA58001 | S74CA58001 | S74CA58003 | S74CA58003 |
| 5 | S66SA58001 | S66SA58002 | S66SA58001 | S66SA58002 |
| 6 | S40FT58001 | S40FT58001 | S40FT58003 | S40FT58003 |
| 7 | S74CA58007 | S74CA58007 | S74CA58007 | S74CA58007 |
| 8 | A86EL46002 | A86EL46002 | A86EL46002 | A86EL46002 |
| 9 | A86EL46002 | A86EL46002 | A86EL46002 | A86EL46002 |
| 10 | A87AS55002 | A87AS55002 | A87AS55002 | A87AS55002 |
| 11 | A88SE00002 | A88SE00002 | A88SE00002 | A88SE00002 |
| 12 | A93OL93004 | A93OL93004 | A93OL93004 | A93OL93004 |