

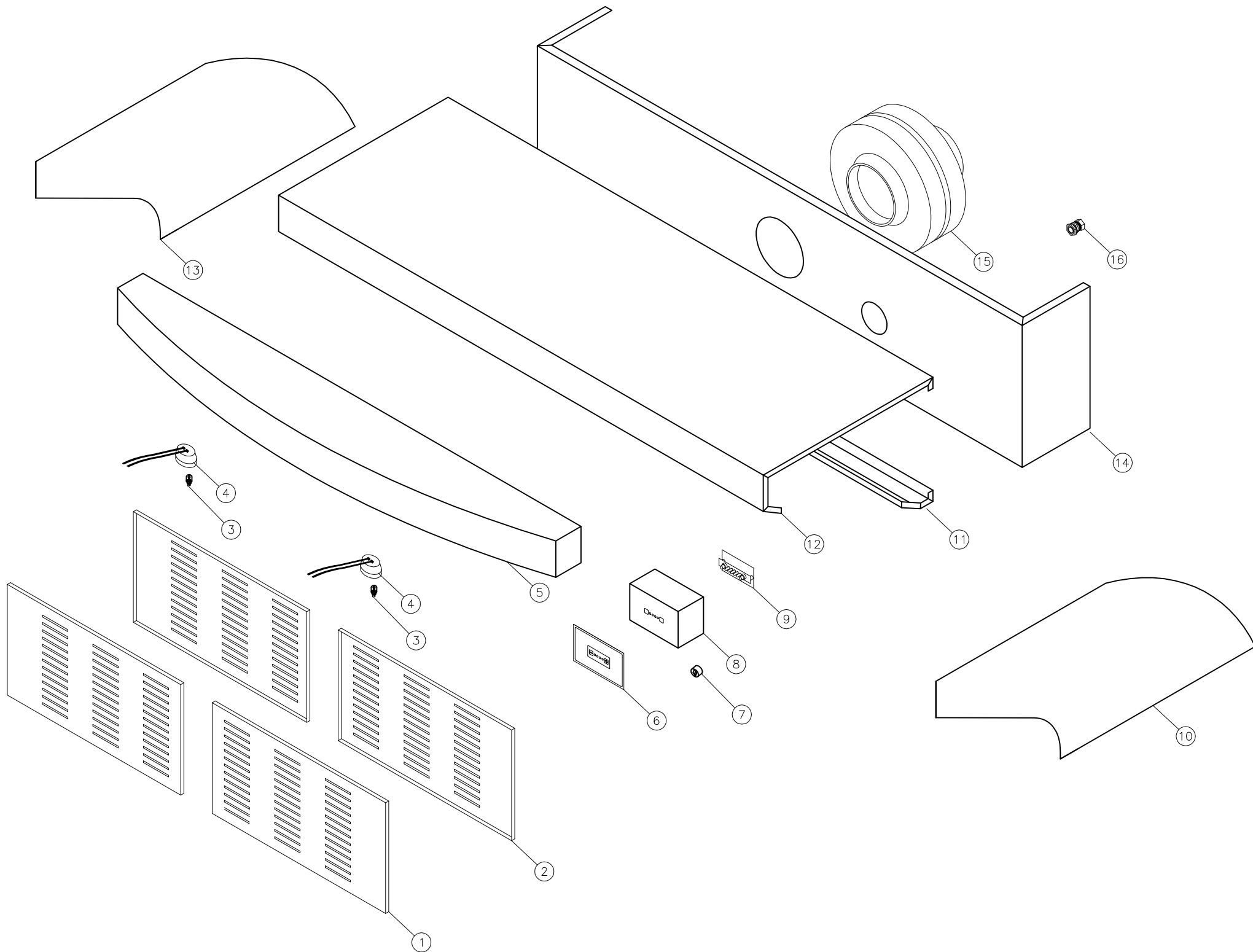
10/2017

Mod: KGD6/AS-LDPS

Production code: KML635LAS



Diamond
catering equipment



KML				
LISTA RICAMBI/SPARE PARTS LIST/ERSATZTEILE				
NR.	COD.	DESCRIZIONE	DESCRIPTION	BESCHREIBUNG
1	97010370	Filtro esterno cappa KML 4 - 6	External filter KML 4 - 6	Aussenfilter KML 4 - 6
1	97010371	Filtro esterno cappa KML 6L - 9	External filter KML 6L - 9	Aussenfilter KML 6L - 9
2	97010380	Filtro interno cappa KML 4 - 6	Internal filter KML 4 - 6	Innenfilter KML 4 - 6
2	97010381	Filtro interno cappa KML 6L - 9	Internal filter KML 6L - 9	Innenfilter KML 6L - 9
3	91310207	Lampada alogena 25W - G9 Baionetta	Halogen lamp 25W - G9 Bayonet lamp	Halogenlampe 25W - G9 Bajonett
4	91310184	Portalampada G9 25W	Lamp holder G9 25W	Glühbirnenfassung G9 25W
5	97020300CP	Frontale cappa KML 4 - 6	Front panel for hood KML 4 - 6	Frontpaneel für Haube KML 4 - 6
5	97020301CP	Frontale cappa KML 6L - 9	Front panel for hood KML 6L - 9	Frontpaneel für Haube KML 6L - 9
6	91612040	Frontale comandi cappa CP aspirata	Front panel CP for hood with motor	Frontpaneel CP für Haube mit Motor
7	91310088	Interruttore luce	Light Switch	Lichtschalter
8	97010330	Colonna destra	Right column	Rechte Spalte
9	91310270	Scheda di controllo cappa	Control panel	Kohntroll Platine
10	97010541	Spalla dx cappa	Stainless steel right panel	Inox Stahl Seitenpaneel Rechts Karosserie
11	97010350	Pannello inferiore KML 4-6	Bottom panel KML 4-6	untere Platte KML 4-6
11	97010351	Pannello inferiore KML 6L-9	Bottom panel KML 6L-9	untere Platte KML 6L-9
12	97010340	Pannello superiore KML 4-6	Upper panel KML 4-6	Top-Panel KML 4-6
12	97010340	Pannello superiore KML 6L-9	Upper panel KML 6L-9	Top-Panel KML 6L-9
13	97010540	Spalla sx cappa	Stainless steel left panel	Inox Stahl Seitenpaneel Links Karosserie
14	97010360	Pannello posteriore KML 4-6	Back panel KML 4-6	Rückseite KML 4-6
14	97010361	Pannello posteriore KML 6L-9	Back panel KML 6L-9	Rückseite KML 6L-9
15	91310330	Aspiratore centrifugo VT 150	Aspirator VT 150	Absauganlage VT 150
16	91510220	Pressacavo PG 9	Cable clamp PG 9	Zug Entlastung PG 9