

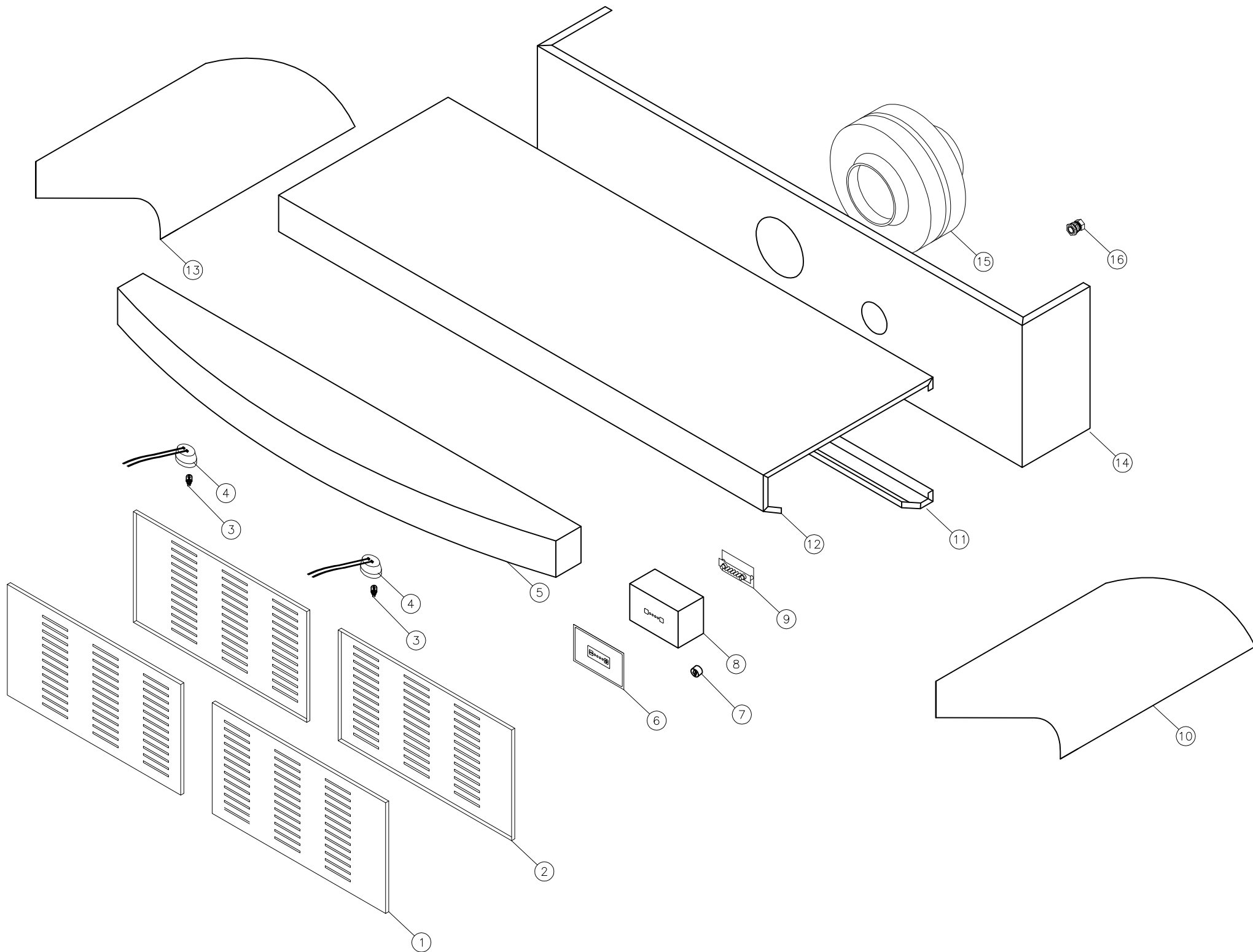
10/2017

# Mod: KGD4/AS-DPS

Production code: KML435AS



**Diamond**  
catering equipment



| KML  |            |                                    |                                    |   |
|--|------------|------------------------------------|------------------------------------|---|
| LISTA RICAMBI/SPARE PARTS LIST/ERSATZTEILE |            |                                    |                                    |   |
| NR.  | COD.       | DESCRIZIONE                        | DESCRIPTION                        | BESCHREIBUNG                              |
| 1  | 97010370   | Filtro esterno cappa KML 4 - 6     | External filter KML 4 - 6          | Aussenfilter KML 4 - 6                    |
| 1  | 97010371   | Filtro esterno cappa KML 6L - 9    | External filter KML 6L - 9         | Aussenfilter KML 6L - 9                   |
| 2  | 97010380   | Filtro interno cappa KML 4 - 6     | Internal filter KML 4 - 6          | Innenfilter KML 4 - 6                     |
| 2  | 97010381   | Filtro interno cappa KML 6L - 9    | Internal filter KML 6L - 9         | Innenfilter KML 6L - 9                    |
| 3  | 91310207   | Lampada alogena 25W - G9 Baionetta | Halogen lamp 25W - G9 Bayonet lamp | Halogenlampe 25W - G9 Bajonett            |
| 4  | 91310184   | Portalampada G9 25W                | Lamp holder G9 25W                 | Glühbirnenfassung G9 25W                  |
| 5  | 97020300CP | Frontale cappa KML 4 - 6           | Front panel for hood KML 4 - 6     | Frontpaneel für Haube KML 4 - 6           |
| 5  | 97020301CP | Frontale cappa KML 6L - 9          | Front panel for hood KML 6L - 9    | Frontpaneel für Haube KML 6L - 9          |
| 6  | 91612040   | Frontale comandi cappa CP aspirata | Front panel CP for hood with motor | Frontpaneel CP für Haube mit Motor        |
| 7  | 91310088   | Interruttore luce                  | Light Switch                       | Lichtschalter                             |
| 8  | 97010330   | Colonna destra                     | Right column                       | Rechte Spalte                             |
| 9  | 91310270   | Scheda di controllo cappa          | Control panel                      | Kohntroll Platine                         |
| 10   | 97010541   | Spalla dx cappa                    | Stainless steel right panel        | Inox Stahl Seitenpaneel Rechts Karosserie |
| 11   | 97010350   | Pannello inferiore KML 4-6         | Bottom panel KML 4-6               | untere Platte KML 4-6                     |
| 11   | 97010351   | Pannello inferiore KML 6L-9        | Bottom panel KML 6L-9              | untere Platte KML 6L-9                    |
| 12   | 97010340   | Pannello superiore KML 4-6         | Upper panel KML 4-6                | Top-Panel KML 4-6                         |
| 12   | 97010340   | Pannello superiore KML 6L-9        | Upper panel KML 6L-9               | Top-Panel KML 6L-9                        |
| 13   | 97010540   | Spalla sx cappa                    | Stainless steel left panel         | Inox Stahl Seitenpaneel Links Karosserie  |
| 14   | 97010360   | Pannello posteriore KML 4-6        | Back panel KML 4-6                 | Rückseite KML 4-6                         |
| 14   | 97010361   | Pannello posteriore KML 6L-9       | Back panel KML 6L-9                | Rückseite KML 6L-9                        |
| 15   | 91310330   | Aspiratore centrifugo VT 150       | Aspirator VT 150                   | Absauganlage VT 150                       |
| 16   | 91510220   | Pressacavo PG 9                    | Cable clamp PG 9                   | Zug Entlastung PG 9                       |