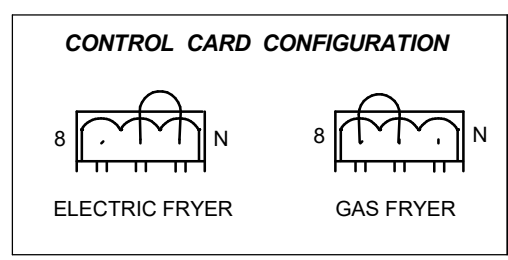
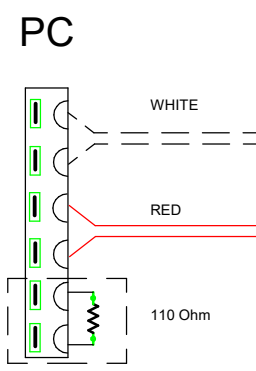
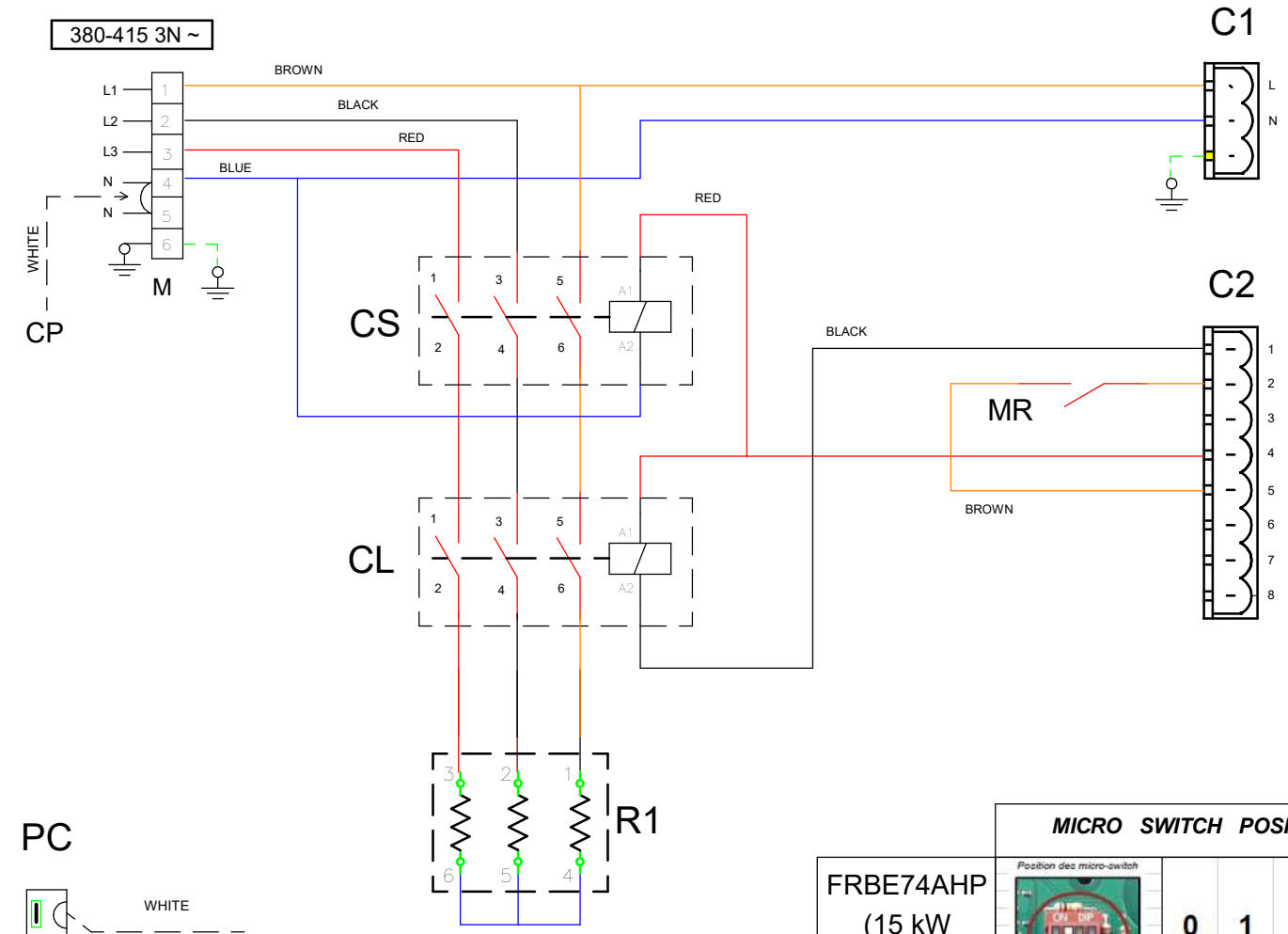




**MOD : E7/F15A4-NAP**

**Production code : DIFRBE74AHP**

**11/2023**



		MICRO SWITCH POSITION			
FRBE74AHP (15 kW ELECTRIC)		0	1	0	0
FRG94AHP (22 kW GAS)		0	1	0	1
FRBE74AD (9 kW ELECTRIC)		0	1	1	0
FRG74AHP (16 kW GAS)		0	1	1	1

	ITALIANO	FRANCAIS	ENGLISH	DEUTSCH
MR	MICROINTERRUTTORE RESISTENZE	MICROCONTACT RESISTANCE	HEATING ELEMENTS MICRO SWITCH	ENDMIKROSCHALTER ROHRHEIZKÖRPER
M	MORSETTIERA	PENNEAU DE CONTROLÉ	TERMINAL BLOCK	KLEMMENLEISTE
CP	CAVO PONTE	CABLE PONT	BRIDGE CABLE	CABLE BRIDGE
CS	TELERUTTORE DI SICUREZZA	RELAIS DE SÉCURITÉ	SAFETY RELAY	SICHERHEITRELAIS
CL	TELERUTTORE DI LAVORO	RELAIS DE TRAVAIL	WORKING RELAY	ARBEITSRELAIS
R1	RESISTENZA	RESISTANCE	HEATING ELEMENT	ROHRHEIZKÖRPER
C1-C2	CONNETTORE SCHEDA	CONNECTEUR DE CARTE	BOARD CONNECTOR	BOARD CONNECTOR
PC	CONNETTORE SONDE	SONDES DE MESURE	PROBE CONNECTOR	MESSTASTER CONNECTOR