



MOD : E7/CPA4-N

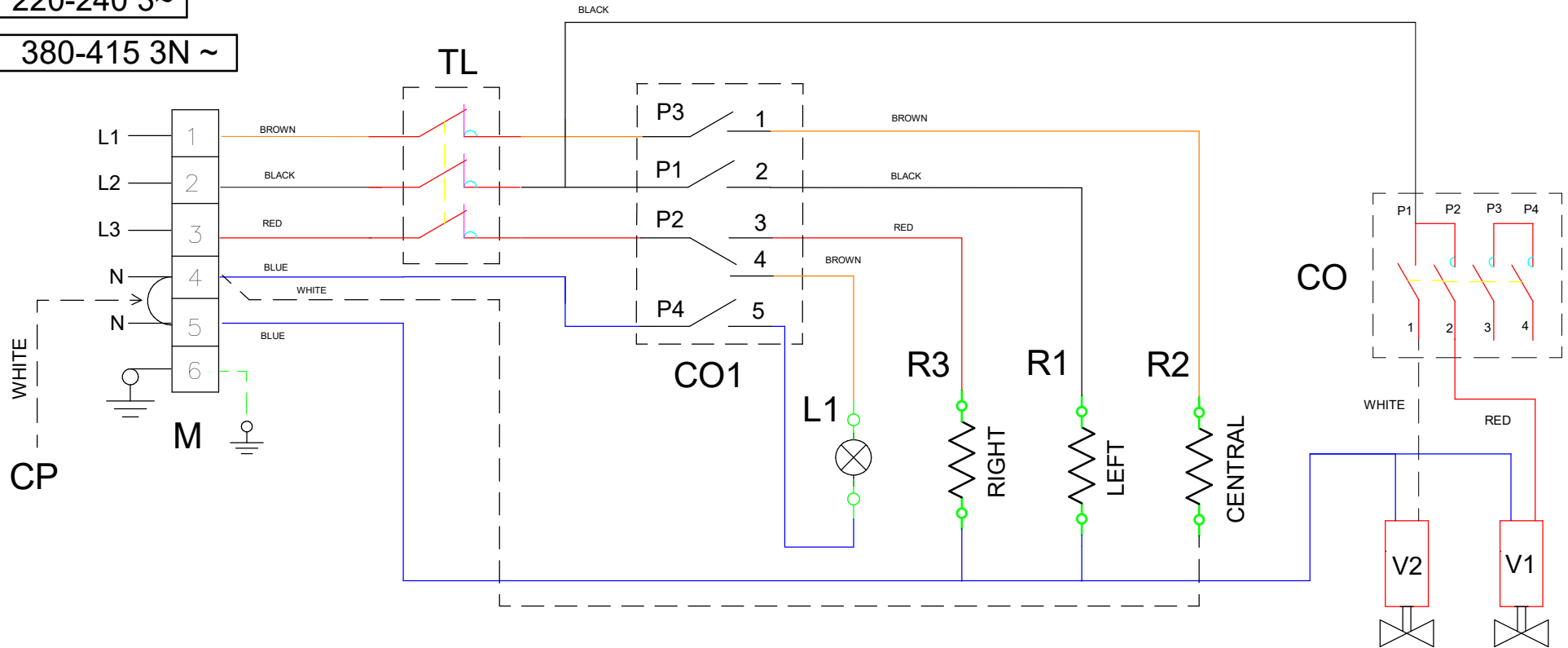
Production code : DICPE74A

11/2023

220-240 1N~

220-240 3~

380-415 3N~



	ITALIANO	FRANCAIS	ENGLISH	DEUTSCH
M	MORSETTIERA	PANNEAU DE CONTROLE	TERMINAL BLOCK	KLEMMENLEISTE
CP	CAVO PONTE	CABLE PONT	BRIDGE CABLE	CABLE BRIDGE
CO_CO1	COMMUTATORE	COMMUTATEUR	SWITCH	HAUPTSCHALTER
R1-R3	RESISTENZA	RESISTANCE	HEATING ELEMENT	WIDERSTAND
L1	LAMPADA ROSSA	LAMP ROUGE	RED LAMP	RED LAMP
TL	TERMOSTATO LIMITE	THERMOSTAT DE SECURITE'	LIMIT THERMOSTAT	SICHERHEIT THERMOSTAT
V1-V2	ELETTROVALVOLA ACQUA	ELECTROVANNE EAU	SOLENOID WATER	MAGNET WASSER

