

Mod: NIAGARA LINE

Production code:

Ref. Diamond

DS1 09 M1 FULL BLACK	NIA09/B5-7
DS1 12 M1 FULL BLACK	NIA12/B5-7
DS1 15 M1 FULL BLACK	NIA15/B5-7
DS1 18 M1 FULL BLACK	NIA18/B5-7
DS1 25 M1 FULL BLACK	NIA25/B5-7
DG1 09 M1 FULL BLACK	NIA09/B5-7-PV
DG1 12 M1 FULL BLACK	NIA12/B5-7-PV
DG1 15 M1 FULL BLACK	NIA15/B5-7-PV
DG1 18 M1 FULL BLACK	NIA18/B5-7-PV
DG1 25 M1 FULL BLACK	NIA25/B5-7-PV

■ ANEXO NORMATIVA / ANNEX NORMATIVE / ANNEXE RÈGLEMENT

- NIA / B5-6

DATA	NIA09/B5-6	NIA12/B5-6	NIA15/B5-6	NIA18/B5-6	NIA25/B5-6
Product temperature	M1-M2	M1-M2	M1-M2	M1-M2	M1-M2
Overall external dimensions at installation(LxHxD) (mm)	1000x2000x635	1310x2000x635	1625x2000x635	1935x2000x635	2560x2000x635
Overall external dimensions in service(LxHxD)(m m)	1000x2000x635	1310x2000x635	1625x2000x635	1935x2000x635	2380x2020x635
Refrigerated shelf area(m ²)	1,50	2	2,5	3	4
Total display area(m ²)	1,20	1,60	2	2,4	3,2
Net volume (l)	326	434	543	652	869
Maximum load in shelf (kg)	30	30	30	30	30
Location of the temperature sensor	Fig. 1	Fig. 1	Fig. 1	Fig. 1	Fig. 1
Maximum values displayed by the instrument or measured at the sensor location in stable operating conditions (°C)	8	8	8	8	8
Conditions where the display or temperature may be interrupted	Defrosting	Defrosting	Defrosting	Defrosting	Defrosting

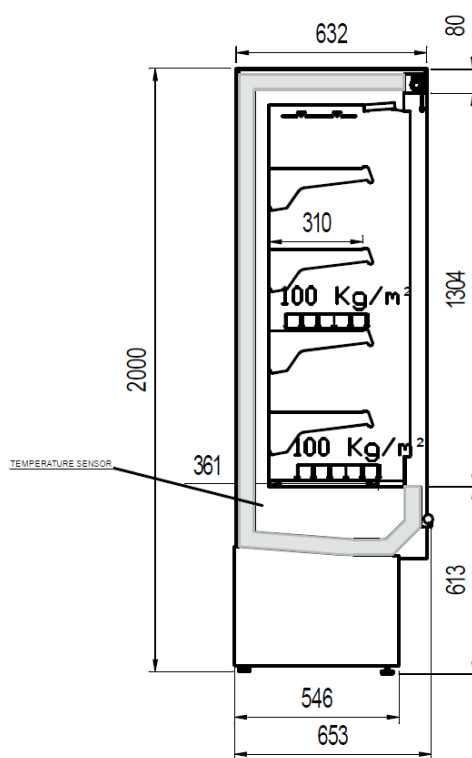


Fig. 1.NIA/B5-6

- NIA / B5-7

DATA	NIA09/B5-7	NIA12/B5-7	NIA15/B5-7	NIA18/B5-7	NIA25/B5-7
Product temperature	M1-M2	M1-M2	M1-M2	M1-M2	M1-M2
Overall external dimensions at installation(LxHxD) (mm)	1000x2000x776	1310x2000x776	1625x2000x776	1935x2000x776	2560x2000x776
Overall external dimensions in service(LxHxD)(m m)	1000x2000x776	1310x2000x776	1625x2000x776	1935x2000x776	2560x2000x776
Refrigerated shelf area(m ²)	2	2,68	3,34	4,01	5,35
Total display area(m ²)	1,24	1,66	2,07	2,49	3,32
Net volume (l)	457	610	762	915	1220
Maximum load in shelf (kg)	30	30	30	30	30
Location of the temperature sensor	Fig. 2	Fig. 2	Fig. 2	Fig. 2	Fig. 2
Maximum values displayed by the instrument or measured at the sensor location in stable operating conditions (°C)	8	8	8	8	8
Conditions where the display or temperature may be interrupted	Defrosting	Defrosting	Defrosting	Defrosting	Defrosting

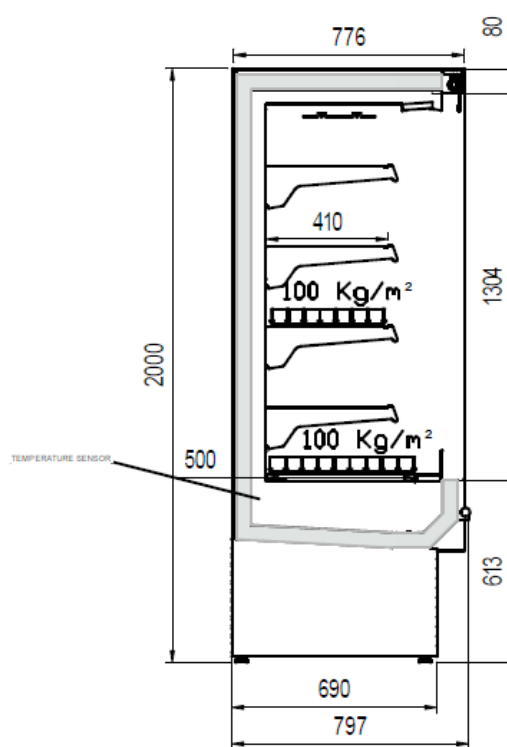


Fig. 2. NIA/B5-6

- NIA / B5-8

DATA	NIA09/B5-8	NIA12/B5-8	NIA15/B5-8	NIA18/B5-8	NIA25/B5-8
Product temperature	M1-M2	M1-M2	M1-M2	M1-M2	M1-M2
Overall external dimensions at installation(LxHxD) (mm)	1000x2000x876	1310x2000x876	1625x2000x876	1935x2000x876	2560x2000x876
Overall external dimensions in service(LxHxD)(m m)	1000x2000x876	1310x2000x876	1625x2000x876	1935x2000x876	2560x2000x876
Refrigerated shelf area(m ²)	2,47	3,30	4,12	4,95	6,60
Total display area(m ²)	1,24	1,66	2,07	2,49	3,32
Net volume (l)	548	731	914	1097	1463
Maximum load in shelf (kg)	30	30	30	30	30
Location of the temperature sensor	Fig. 3	Fig. 3	Fig. 3	Fig. 3	Fig. 3
Maximum values displayed by the instrument or measured at the sensor location in stable operating conditions (°C)	8	8	8	8	8
Conditions where the display or temperature may be interrupted	Defrosting	Defrosting	Defrosting	Defrosting	Defrosting

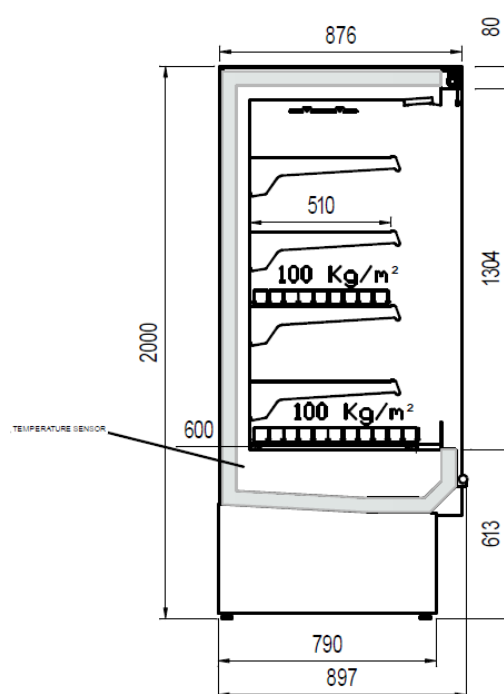


Fig. 3. NIA/B5-8

- NIA / B5-6-PV

DATA	NIA09/B5-6-PV	NIA12/B5-6-PV	NIA15/B5-6-PV	NIA18/B5-6-PV	NIA25/B5-6-PV
Product temperature	M1-M2	M1-M2	M1-M2	M1-M2	M1-M2
Overall external dimensions at installation(LxHxD) (mm)	1000x2000x635	1310x2000x635	1625x2000x635	1935x2000x635	2380x2020x635
Overall external dimensions in service(LxHxD)(m m)	1000x2000x635	1310x2000x635	1625x2000x635	1935x2000x635	2380x2020x635
Refrigerated shelf area(m ²)	1,50	2	2,5	3	4
Total display area(m ²)	0,99	1,37	1,76	2,06	2,75
Net volume (l)	326	434	543	652	869
Maximum load in shelf (kg)	30	30	30	30	30
Location of the temperature sensor	Fig. 4	Fig. 4	Fig. 4	Fig. 4	Fig. 4
Maximum values displayed by the instrument or measured at the sensor location in stable operating conditions (°C)	8	8	8	8	8
Conditions where the display or temperature may be interrupted	Defrosting	Defrosting	Defrosting	Defrosting	Defrosting

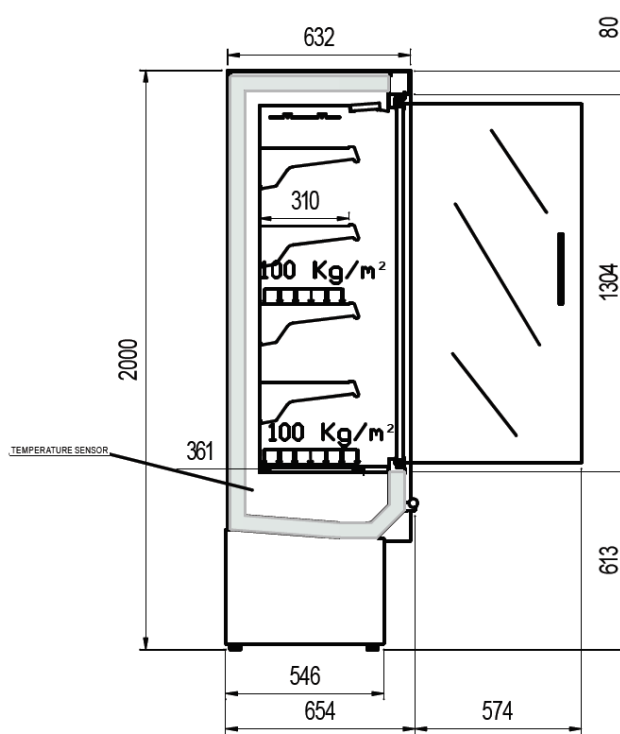


Fig. 4. NIA/B5-6-PV

- NIA / B5-7-PV

DATA	NIA09/B5-7-PV	NIA12/B5-7-PV	NIA15/B5-7-PV	NIA18/B5-7-PV	NIA25/B5-7-PV
Product temperature	M1-M2	M1-M2	M1-M2	M1-M2	M1-M2
Overall external dimensions at installation(LxHxD) (mm)	1000x2000x776	1310x2000x776	1625x2000x776	1935x2000x776	2560x2000x776
Overall external dimensions in service(LxHxD)(m m)	1000x2000x776	1310x2000x776	1625x2000x776	1935x2000x776	2560x2000x776
Refrigerated shelf area(m ²)	2	2,68	3,34	4,01	5,35
Total display area(m ²)	1,03	1,43	1,83	2,15	2,86
Net volume (l)	457	610	762	915	1220
Maximum load in shelf (kg)	30	30	30	30	30
Location of the temperature sensor	Fig. 5	Fig. 5	Fig. 5	Fig. 5	Fig. 5
Maximum values displayed by the instrument or measured at the sensor location in stable operating conditions (°C)	8	8	8	8	8
Conditions where the display or temperature may be interrupted	Defrosting	Defrosting	Defrosting	Defrosting	Defrosting

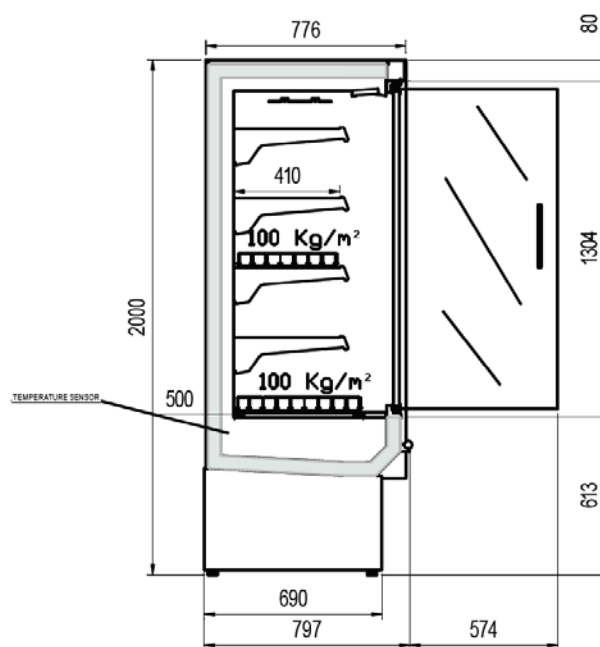


Fig. 5. NIA/B5-7-PV

- NIA / B5-8-PV

DATA	NIA09/B5-8-PV	NIA12/B5-8-PV	NIA15/B5-8-PV	NIA18/B5-8-PV	NIA25/B5-8-PV
Product temperature	M1-M2	M1-M2	M1-M2	M1-M2	M1-M2
Overall external dimensions at installation(LxHxD) (mm)	1000x2000x876	1310x2000x876	1625x2000x876	1935x2000x876	2560x2000x876
Overall external dimensions in service(LxHxD)(m m)	1000x2000x876	1310x2000x876	1625x2000x876	1935x2000x876	2560x2000x876
Refrigerated shelf area(m ²)	2,47	3,30	4,12	4,95	6,60
Total display area(m ²)	1,03	1,43	1,83	2,15	2,86
Net volume (l)	548	731	914	1097	1463
Maximum load in shelf (kg)	30	30	30	30	30
Location of the temperature sensor	Fig. 6	Fig. 6	Fig. 6	Fig. 6	Fig. 6
Maximum values displayed by the instrument or measured at the sensor location in stable operating conditions (°C)	8	8	8	8	8
Conditions where the display or temperature may be interrupted	Defrosting	Defrosting	Defrosting	Defrosting	Defrosting

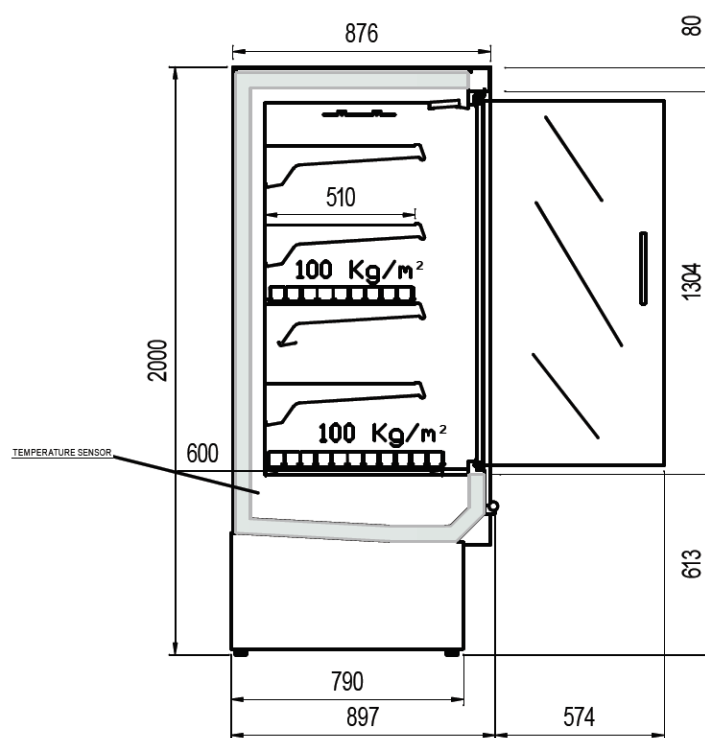


Fig. 6. NIA/B5-8-PV