

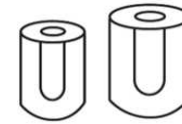
08/2017

Mod: MXP-65A/N

Production code: 51205 (PDQ60)



Diamond
catering equipment

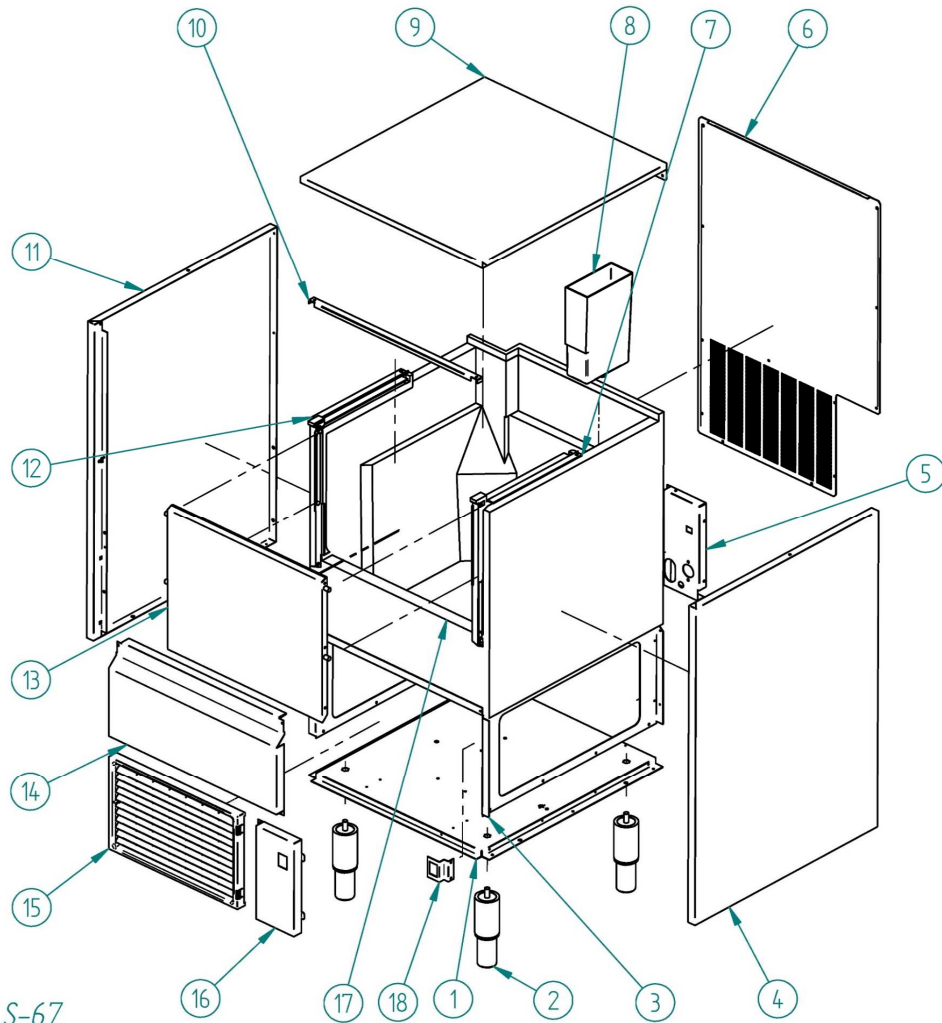


PDQ



DESPIECE / REPUESTOS
EXPLODED VIEW / SPARE PARTS
EXPLOSIONSZEICHNUNG / ERSATZTEILE
VUE ÉCLATÉÉ / PIÈCES DÉTACHÉES
ESPLOSO / RICAMBI

CABINET

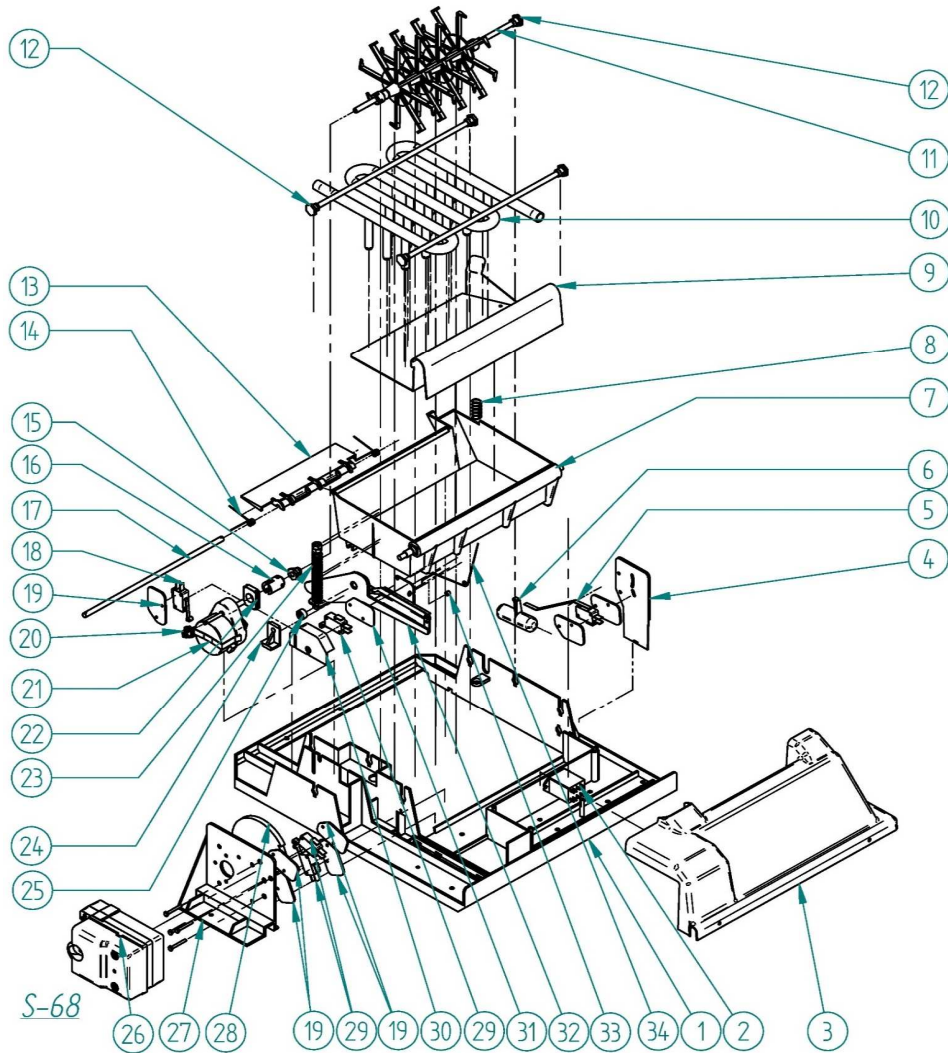
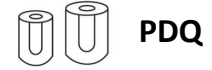


	NAME						
	25	30	40	55	65	90	130
1	BASEMENT		8179	8501	8515	8551	8572
2	LEG		4307	1478			
3	BRIDGE ANGLE		8054	8501	8516	8552	8573
4	RIGHT PANEL	8057	8059	8487	8517	8553	
5	CONNECTION COLUMN		8055	-	-	8563	
6	REAR COVER		8063	8064	8490	8520	8556
7	RIGH DOOR GUIDE		1700	1706	1706	1706	1706
8	WATER COLLECTOR		593				
9	TOP COVER		8056	8491	8521	8559	8560
10	UPPER BRACKET		8217	8495	8523	8525	
11	LEFT PANEL	8058	8060	8488	8518	8554	
12	LEFT DOOR GUIDE		1701	1707	1707	1707	1707
13	DOOR		8204	8506	8538	8539	8540
14	LOWER FRONT PANEL		8061	8062	8489	8519	8555
15	FRONT GRID		8513		8719	8720	
16	FRONT PANEL		-	-	-	-	-
17	ISOLATED STOCK BIN		7510	8413	7513	7514	7515
18	SWITCH SUPPORT		7764		8494		

S-67

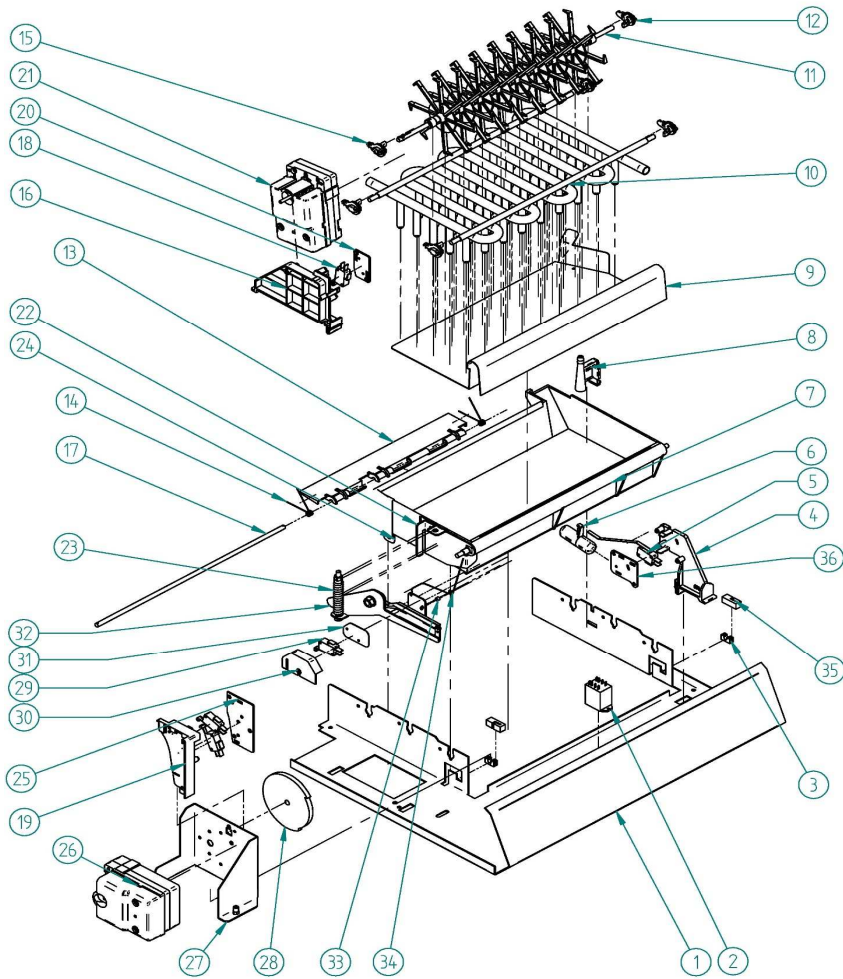


BIN & HIDRAULICS PARTS NGQ 20-40



	NAME	MODEL		
		25	30	40
1	MANUFACTURING HEAD		175	
2	RELAY		1483	
3	COVER HEAD		1982	
4	MICRO BUOY SUPPORT		595	
5	MICRO BUOY		388	
6	BUOY		8075	
7	WATER VAT	5360	5361	
8	WATER INPUT SPRING		355	
9	EJECTOR ICE	5537	5532	
10	EVAPORATOR	7984	7989	
11	AGITATOR		8074	
12	EVAPORATOR SUPPORT		564	
13	FLANGED LIMIT		11	
14	SPRING POSITIONING FLANGED		817	
15	AGITATOR AND VAT BEARING		556	
16	JOINT BUSHING		46	
17	FLANGED AXE		12	
18	MICRO		8079	
19	MICROS' PROTECTION		5212	
20	REAR BEARING		554	
21	PADDLE MOTOR		5364	
22	FRONT BEARING		559	
23	SECURITY SPRING		217	
24	AXE TRAY SUPPORT		558	
25	VAT AXE SUPPLEMENT		674	
26				
27	COMPLETE TILTER MOTOR		8071	
28				
29				
30	LEFT MICRO BOX		372	
31	MICRO'S PROTECTION		5211	
32	CONNECTING ROD VAT WATER		68	
33	STOP MECHANISM BUSHING		52	
34	STOP MACHINE SPRING		201	

BIN & HIDRAULICS PARTS NGQ 50-130

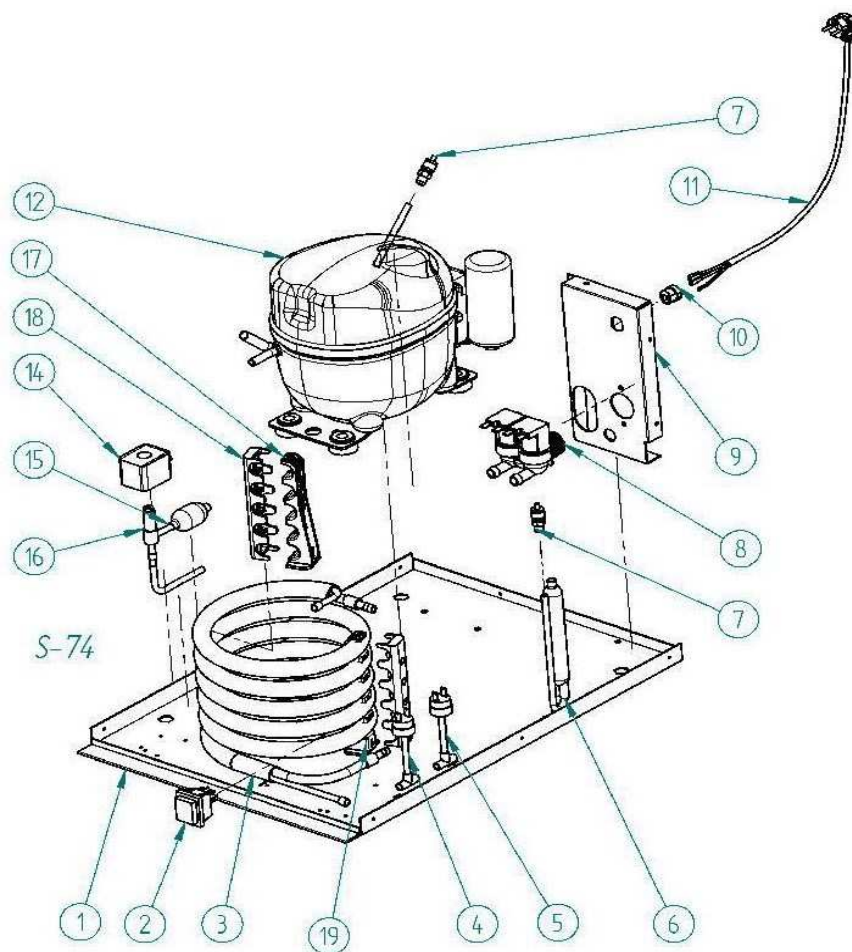


	NAME	MODEL			
		55	65	90	130
1	MANUFACTURING HEAD	8496	8526	8527	8528
2	RELAY		1483		
3	OPEN BEARING		168		
4	MICRO BUOY SUPPORT		6844		
5	MICRO BUOY		388		
6	BUOY		8075		
7	WATER VAT	7513	7514	7515	7516
8	WATER INPUT		6843		
9	EJECTOR ICE	8727	5539	5540	5530
10	EVAPORATOR	7998	8022	8027	8032
11	AGITATOR	8503	8541	8545	8546
12	BLIND EVAPORATOR SUPPORT		6481		
13	FLANGED LIMIT	810	811	812	812
14	SPRING POSITIONING BUOY		817		
15	AGITATOR & AXE SUPPORT		6842		
16	AGITATOR MOTOR SUPPORT		6848		
17	FLANGED AXE	813	814	815	815
18	MICRO		8079		
19	MICRO & TURNING MOTOR SUPPORT		6846		
20	AGITATOR MOTOR SUPPORT		6849		
21	GEAR MOTOR		6837		
22	SPRING SUPPORT		56		
23	SECURITY SPRING TRAY		68		
24	AXE FLANGED SUPPORT		816		
25	MICRO & TURNING MOTOR SUPPORT		6847		
26	GEAR REDUCER		6836		
27	TURNING MOTOR SUPPORT	8497	8497	8497	8497
28	ACTIVATOR WHEEL		5010		
29	MICRO		387		
30	LEFT MICRO BOX		372		
31	MICRO'S PROTECTION		5211		
32	CONNECTING ROD VAT WATER		68		
33	STOP MECHANISM BUSHING		52		
34	STOP MACHINE SPRING		201		
35	FIXING CLAMP		178		
36	MICRO BUOY SUPPORT		6845		
35	FLOAT WITH MICRO		30201		

WATER CONDENSER

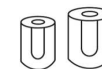


PDQ

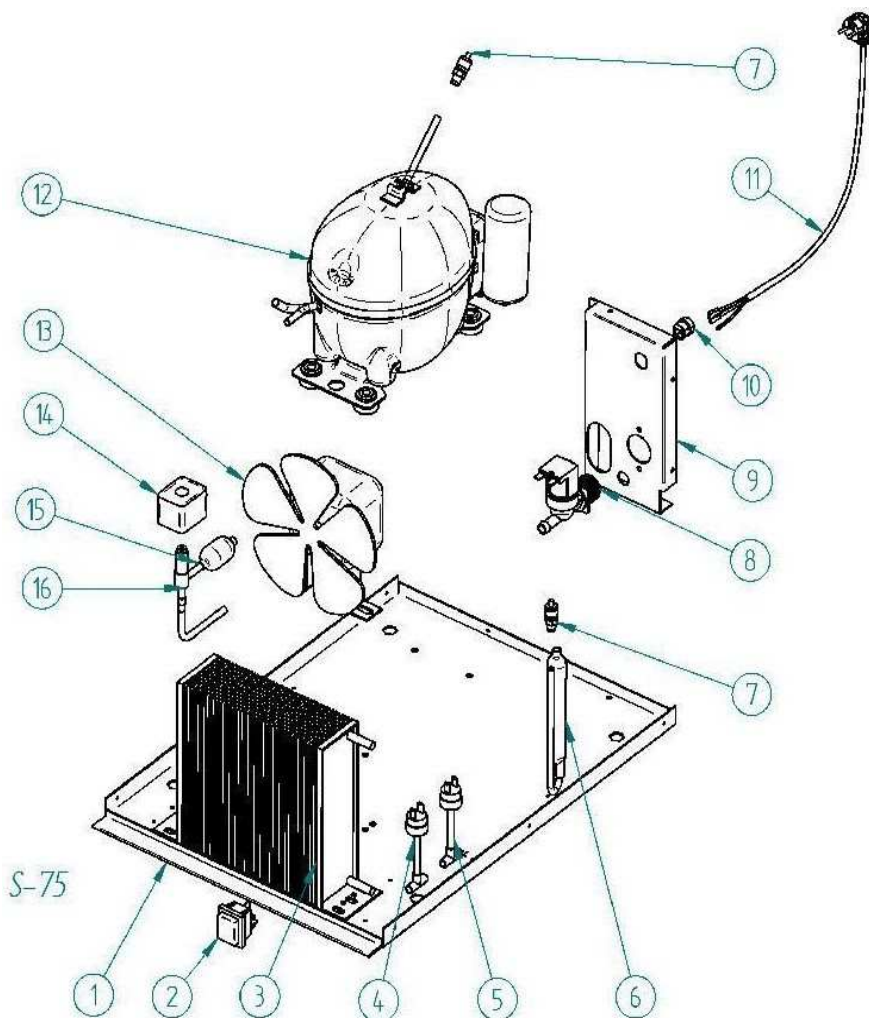


	NAME						
	25	30	40	55	65	90	130
1	BASE PLATE	8179		8510	8515	8551	8572
2	SWITCH			2287			
3	WATER CONDENSER	8483		5243	5017		5018
4	CONDENSATION PRESSOSTAT			7476			
5	SAFETY PRESSOSTAT			334			
6	DEHYDRATION FILTER	449				1717	
7	LOAD VALVE			335			
8	INPUT WATER VALVE			404			
9	COLUMN	8055		8493	8521	8559	8560
10	GROMMET			8411			
11	ELECTRIC SUPPLY CABLE			408			
12	COMPRESSOR	6838	6005	6006	6515	6516	6007
14	COIL	6906				5173	
15	FILTER			448			
16	HOT GAS VALVE	6904				762	
17	LOW SUPPORT			4037			
18	EXTERNAL SUPPORT			4038			
19	HIGH SUPPORT			4036			

AIR CONDENSER



PDQ



	NAME							
	25	30	40	55	65	90	130	
1	BASE PLATE			8179	8510	8515	8551	8572
2	SWITCH			2287				
3	AIR CONDENSER			2423	8037	5017	5018	
4	CONDENSATION PRESSOSTAT			7476				
5	SAFETY PRESSOSTAT			334				
6	DEHYDRATION FILTER			449	1717			
7	LOAD VALVE			335				
8	INPUT WATER VALVE			404				
9	COLUMN			8055	8493	8521	8559	8560
10	GROMMET			8411				
11	ELECTRIC SUPPLY CABLE			408				
12	COMPRESSOR		6838	6005	6006	6515	6516	6007
13	MOTOR+FAN		2170+587		28+4887	28+4231	4994+410	
14	COIL			6904	762			
15	FILTER			448				
16	HOT GAS VALVE			4037				