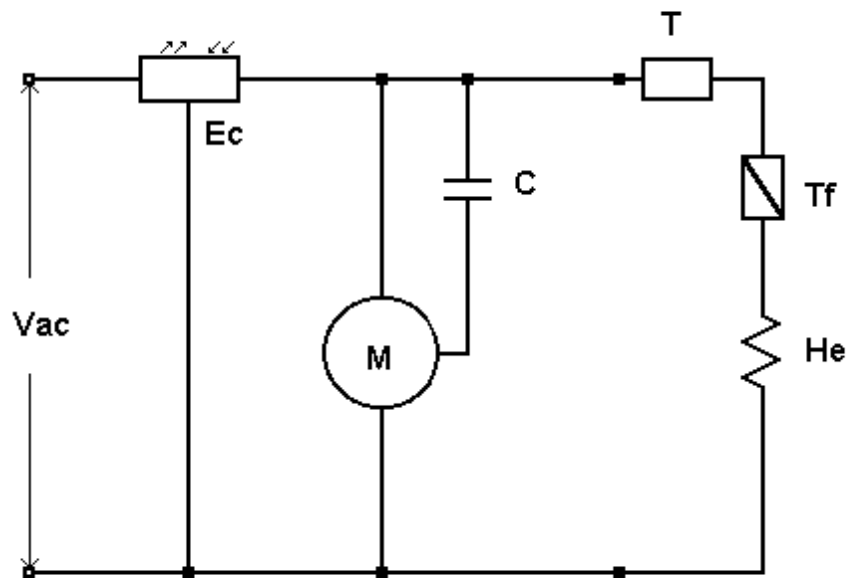


05/2009

# Mod:MS-315

Production code:315





Ec: electronic card 230V~50/60Hz

M: motor 230V~50/60Hz 125W

C: condenser 3.15  $\mu$ F 400V

He: heating element 230V~50Hz 2000W

T: thermal cut-out

Tf: thermal fuse