

08/2021

# Mod: MR-MAXIPIZZA/R2

Production code: 19052161



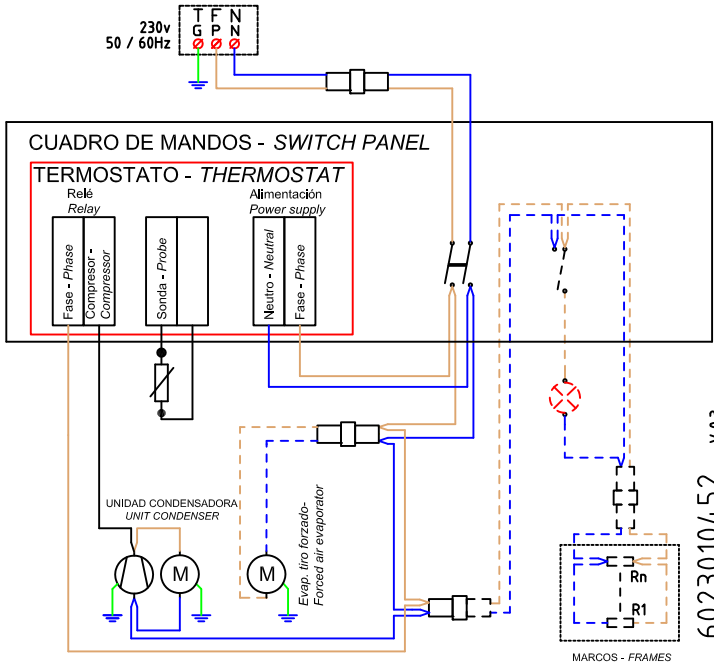
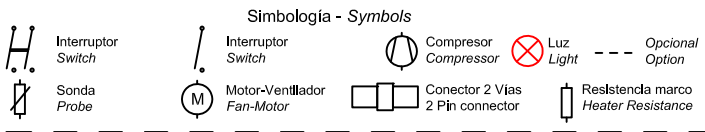
**Diamond**  
catering equipment

# ESQUEMA ELÉCTRICO - ELECTRICAL SCHEMATIC

Mesa Refrigerada

Refrigerated Counter

Opción/ Optional: Tropical - tropical; con luz - with light; evaporador gravedad - evaporator with gravity



6023010452 V 03