

08/2021

# Mod: MR-MAXIPIZZA/R2

Production code: 19052161



**Diamond**  
catering equipment

***SPARE PARTS  
REFRIGERATED TABLES  
MR-MAXI PIZZA/S***



*Rev.: March-2012*

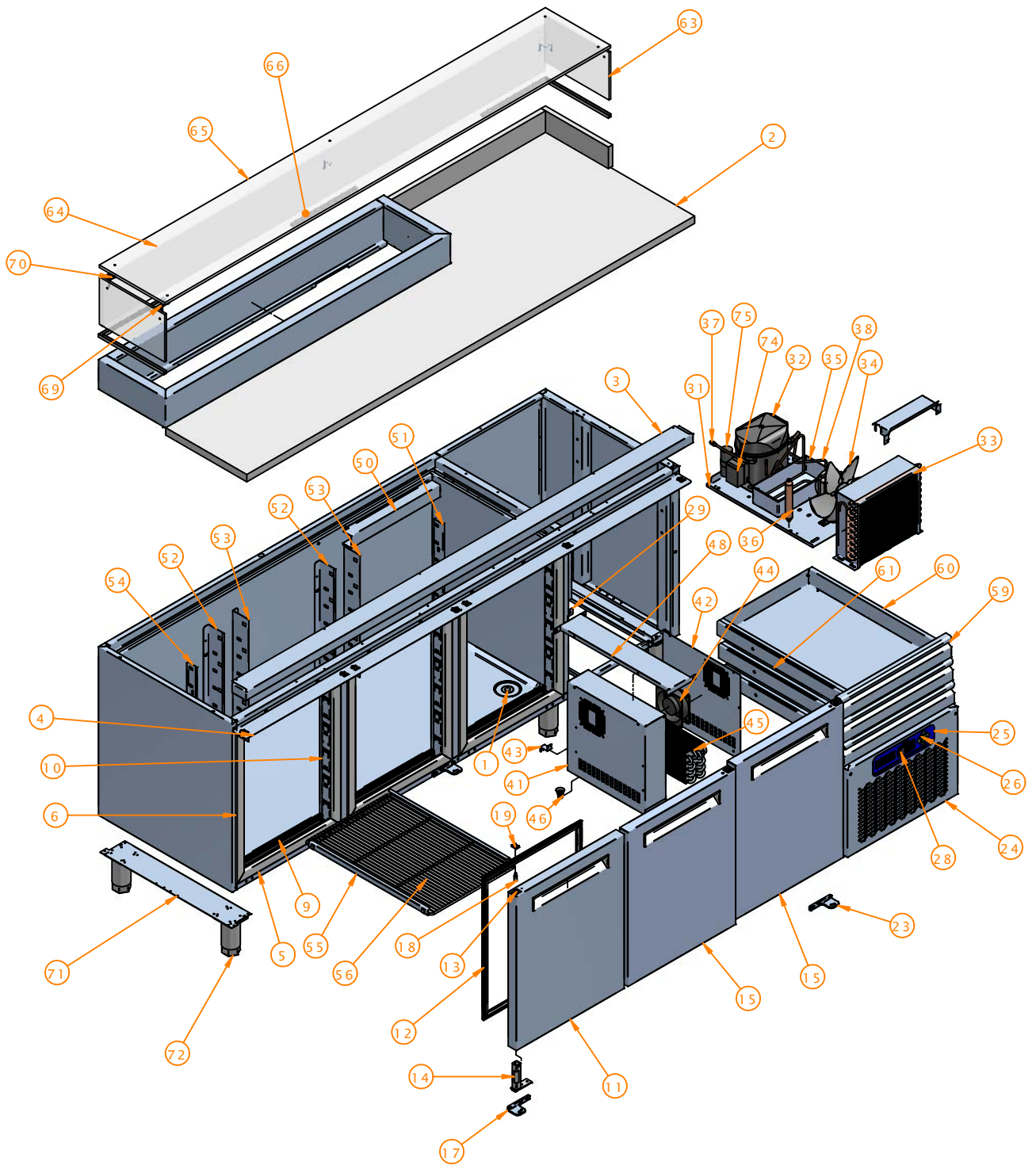
**SPARE PARTS  
MR-MAXI PIZZA  
02-03-2012**



**MR-MAXI PIZZA**

**MODEL**

Nº	NIVEL	CODE	DESCRIPTION		
1	1	6003010326	COMPLETE DRAINAGE 3/4 GRAY+ NUT	1	
2	1	6031010102	FRAMEWORK.TOP 2113x704x30 MR MAXI PIZZA	1	
3	1	M109012196	FRONT BEZEL M.PIZZA MR-MAXI PIZZA	1	
4	1	M109050838	UPPER BRACK M.PIZZA MR-MAXI PIZZA	1	
5	1	M107170016	IMAN FLAP PROFILE FRAMEWORK	6	
6	1	M107170020	IMAN FLAP PROFILE FRAMEWORK	6	
7	1	M107170017	IMAN FLAP PROFILE	6	
8	1	M107170021	IMAN FLAP PROFILE	6	
9	1	M107170031	FLAP ON U. PROFILE FRAMEWORK BOX	6	
10	1	M109050808	ZIP FRAMEWORK	6	
11	1	M169010178	DOR MR-PIZZA.OPENING IZDA	1	
12	2	6045010115	WEATHERSTRIP 465X585 UR-260	1	
13	2	6003010136	BOX ACCOMMODATION SPRING GRAY	1	
14	2	6033010100	HINGE TRS1D DOUBLE SPRING DV-2608	1	
15	1	M169010179	DOOR MR-PIZZA OPENING.DCHA	2	
16	1	M169090008	HINGE KIT.OPENING.LEFT TABLE NEW	1	
17	2	6033010129	BOTTOM HINGE SUPPORT LEFT.G.ADVANCE	1	
18	2	6033090104	EXTERNAL THREAD SHAFT.30X10STAINLESS.DOOR	1	
19	2	6025130045	FAST NUT TRT M6-2	1	
20	2	6025090050	SCREW STAINLESS M6X16 C/EXAG DIN 933	1	
21	2	6025210005	WASHER GROWER STAINLESS M6	1	
22	1	M169090009	HINGE KIT OPENING RIGHT DOOR	2	
23	2	6033010130	HINGE BRACKET BOTTOM RIGHT.G.ADVANCE	2	
24	1	M177010238	PLATE CONTROL PANEL.PIZZA MR	1	
25	1	6023010584	BUMPER TABLE/WARDROBE DIAMOND	1	
26	1	6021130073	SWITCH BIPOLAR O/I GREEN	1	
27	1	6021350113	PROBE NTC 2,5 MTS(NTC025HP00)	1	
28	1	6021350124	THERMOSTAT.COOLING. (LED BLUE)/PROBE	1	
29	1	M109012199	SQUARE MOORAGE GRID GROUP MR	1	
30	1	M173010230	CONDENSING UNIT.MR-PIZZA	1	
31	2	A109170353	CABINET BENCH CONCEPT	1	
32	2	6021010007	COMPRESSOR.FR-8.5-G R134A	1	
33	2	6029020002	CONDENSER 9x2	1	
34	2	6021050002	VENTILATOR 10W PATA PALA 220V	1	
35	2	6003010023	AUTOMATIC EVAPORATION TRAY	1	
36	2	6047010003	FILTER DEHYDRATING.40GR 1/4X1/4	1	
37	2	6021310003	FULL VALVE OBUS RF.HB-1S	1	
38	2	A107010100	PIPE.AUTOMATIC EVAPORATION.PAINTED CONCEPT	1	
39	2	6021410028	TABLE OF ELECTRICAL REF.CARE FAG2006	1	
40	1	M171010160	COMPACT.EVAP. PIZZA	1	
41	2	M109050858	SURROUND.COMPAC.EVAP.CEN.TABLES	1	
42	2	M109050859	TOP SURROUND.COMPAC.EV.CEN.TABLE	1	
43	2	M109050861	LOWER BRACKET.CENTRAL EVAPORATOR	1	
44	2	6021050073	VENTL.120X120. VTP	2	
45	2	6029010163	EVAPORATOR. FC51B RH. 5T4R295A6S PINT.	1	
46	2	6003010034	DRAIN SAN MIGUEL+ NUT	1	
47	2	6003010051	GUM BOARD DRAIN 1/2	1	
48	1	M109050860	BRACKET COMPAC.EVAP.CENT.GASTR	1	
49	1	6007170015	TUBE LINING D. EXT. 20	1.5	
50	1	M109050885	DECORATIVE PIPE EVAPORATION.MR PIZZA	1	
51	1	M109050815	LATERAL RIGHT ZIP.MFP REV.02	1	
52	1	M109050812	BACK RIGHT ZIP.MFP REV.02	2	
53	1	M109050813	BACK LEFT ZIP.MFP REV.02	2	
54	1	M109050816	LATERAL LEFT ZIP.MFP REV.02	1	
55	1	6033050015	GUIDE SNAK.DT.FREEZING-TABLE GN562mm	6	
56	1	6027010003	GRILL GN1/1 530x325	3	
57	1	M169130065	COMPLETE DRAWER+GUIDE MR-PIZZA	3	
58	2	M169130066	PLATE DRAWER MR PIZZA	1	
59	3	M109012194	FRONT DRAWER TABLE.PIZZA MR	1	
60	3	M109050857	BODY DRAWER. M.PIZZA MR	1	
61	2	6033050003	SLIDING GIDE 600MM ZINC(JUEG	1	
62	2	6025090145	STAINLESS SCREW M5X20 DIN 965 C/AVEL	4	
63	1	6035050100	SIDE GLASS.DOME.M.PIZZA MR	2	
64	1	6035050101	BACK GLASS DOME.MR-MAXI PIZZA	1	
65	1	6035050102	ROOF GLASS DOME MR-MAXI PIZZA	1	
66	1	M107130009	U ALUM.DOME. .313/90 MR-PIZZA	1	
67	1	M107130010	U ALUM.DOME.LEFT.313 MR-PIZZA	2	
68	1	M107130011	U ALUM.DOME.RIGHT. .313 MR PIZZA	2	
69	1	6033010144	CLIP 2 POINT 6/10	3	
70	1	6033010145	SQUARE 3 POINTS 6/10	2	
71	1	M109170831	BASE LEGS GASTRO	1	
72	1	6007050017	REGULAR LEG CABINET ARM GASTRO	2	
74	1	6021010025	RELAY START COMP.FR-8.5G	1	
75	1	6021010037	CONDENSER START COMP.FR-8.5G	1	



Material/Material: <b>INOX</b> Acabado/finished: . .		<b>REFRIGERATED TABLES</b>			
Nº Modificación/Modification		Nombre/Name:		Fecha/Date	CODIGO/CODE: .....
. .		. .		. .	REVISION
. .		. .		. .	Modelo/Model: Uds: Modelo/Model: Uds:
. .		. .		. .	<b>00</b> MR MAXI-PIZZA . .
. .		. .		. .	. .
. .		. .		. .	. .
<b>TOLERANCIA/TOLERANCE</b> < 5mm ±0,10 5-25 mm ±0,20 25-120 mm ±0,30 120-400 mm ±0,50 400-1000 mm ±0,80 >1000 mm ±1,20 Angular ±1°		<b>A4</b> Dibujado/Drawn Comprobado/Checked: Escala/Scale <b>1:20</b>		Nombre/Name <b>J.A.PULIDO</b> Fecha/Date <b>02/03/2012</b>	
<b>SPARE PARTS REFRIGERATED PIZZA TABLES</b>				<b>CNC</b>	