

03/2018

Mod: IN/VCX08-P

Production code: 19043198



Diamond
catering equipment

DESPIECE TÉCNICO/ SPARE PARTS / VUE ÉCLATÉE

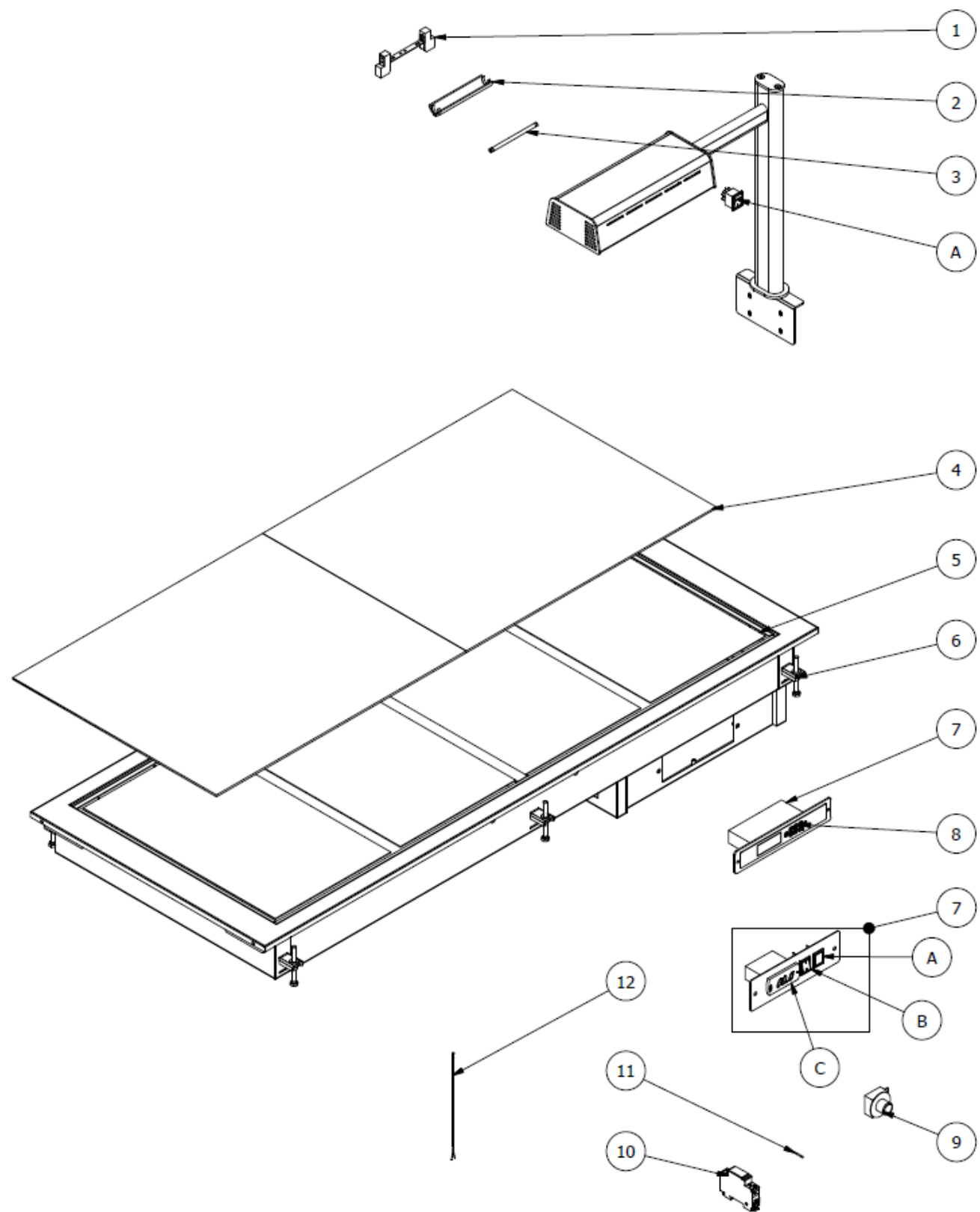
PLACAS CALIENTES AGUA DROP-IN

GLASS CERAMIC PLATES DROP-IN

PLAQUE VITROCÉRAMIQUE CHAUFFANTE DROP-IN

Modelos/Models/Modèles:

DC6-P2	DC7-P2	DC6-PP2
DC6-P3	DC7-P3	DC6-PPW2
DC6-P4	DC7-P4	
DC6-P5	DC7-P5	
DC6-P6	DC7-P6	
DC6-PW2	DC7-PW2	
DC6-PW3	DC7-PW3	
DC6-PW4	DC7-PW4	
DC6-PW5	DC7-PW5	
DC6-PW6	DC7-PW6	



PLACAS CALIENTES DROP-IN / GLASS CERAMIC PLATES DROP-IN / PLAQUE VITROCÉRAMIQUE CHAUFFANTE DROP-IN

Nº	CODE CODIGO	RECOM.	DESCRIPTION	DESCRIPCIÓN	DC6-P2	DC6-P3	DC6-P4	DC6-P5	DC6-P6	DC6-PW2	DC6-PW3	DC6-PW4	DC6-PW5	DC6-PW6	DC7-P2	DC7-P3	DC7-P4	DC7-P5	DC7-P6	DC7-PW2	DC7-PW3	DC7-PW4	DC7-PW5	DC7-PW6	DC6-PP2	DC6-PP2W	Introducido o Inserted	Eliminado Removed	
1	C180700037		HALOGEN LINEAR 118 MM BULB SOCKET	PORTALAMPARAS HALOGENO LINEAL DE 118 MM																					1	1			
2	C180700049		HALOGEN LINEAR ECO 240W 118 MM	HALOGENO LINEAL ECO 240W 118 MM																					1	1			
3	C180700034		PROTECTOR PIREX GLASS 117 mm	CRISTAL PIREX PROTECTOR HALOG. DE 117 mm																					1	1			
4	C160200002		VITRO GLASS 650X530X4	CRISTAL VITROCERÁMICO 650X530X4	1		2	1		1		2	1		1		2	1		1		2	1		1	1			
4	C160200003		VITRO GLASS 975X530X4	CRISTAL VITROCERÁMICO 975X530X4		1		1	2		1		1	2		1		1	2		1		1	2					
4	C160100090		VITRO WHITE GLASS 650X530X4	CRISTAL VITROCERÁMICO BLANCO 650X530X4	1		2	1		1		2	1		1		2	1		1		2	1		1	1			
4	C160100090		VITRO WHITE GLASS 975X530X4	CRISTAL VITROCERÁMICO BLANCO 970X530X4		1		1	2		1		1	2		1		1	2		1		1	2					
5	C180600011	X	SILICONE HEATER 450W 290X500	RESISTENCIA SILICONA 450W 290X500	2	3	4	5	6	2	3	4	5	6	2	3	4	5	6	2	3	4	5	6	2	2			
6	C240720044		AMCHORAJE ASSEMBLY DROP	CONJUNTO ANCLAJE DROP	1	1	1	1	1	1	1	1	1	1	1	1	1	1	1	1	1	1	1	1	1	1	1		
7	C180300059		THERMOSTAT POWER COMPAC PMFE1Z0053	TERMOSTATO POWER COMPAC PMFE1Z0053	1		1	1	1	1	1	1	1	1	1	1	1	1	1	1	1	1	1	1	1	1	1	1/11/17	
7A	C180100001		BLIND COVER 22X30 MM TB-1	TAPA CIEGA 22X30 MM TB-1	1	1	1	1	1	1	1	1	1	1	1	1	1	1	1	1	1	1	1	1	1	1	1	1	1/11/17
7B	C180200022	X	BIPOLAR RED SWITCH IB-4	INTERRUPTOR BIPOLAR ROJO CON LUZ IB-4	1	1	1	1	1	1	1	1	1	1	1	1	1	1	1	1	1	1	1	1	1	1	1	1	1/11/17
7C	C180300041	X	THERMOSTAT DIGITAL 16A PJEZS2P000	TERMOSTATO DIGITAL 16A PJEZS2P000	1	1	1	1	1	1	1	1	1	1	1	1	1	1	1	1	1	1	1	1	1	1	1	1	1/11/17
8	C140400001	X	ADHESIVE BUTTON OVERLAY	BOTONERA ADHESIVA	1	1	1	1	1	1	1	1	1	1	1	1	1	1	1	1	1	1	1	1	1	1	1	1/11/17	
9	C180300048	X	ANALOGIC THERMOSTAT IREVC0HE20	TERMOSTATO ANALOGICO IREVC0HE20	1	1	1	1	1	1	1	1	1	1	1	1	1	1	1	1	1	1	1	1	1	1	1	1	2/01/17
10	C180200020		CONTACTOR ESB 20-20 ABB 230V 2NA	CONTACTOR ESB 20-20 ABB 230V 2NA				1	1				1	1				1	1					1	1		1/11/17		
11	C180700048	X	RED LIGHT L-131 CONEX.T (T. 2,8 mm)	PILOTO ROJO L131 CONEX. T (TERMINAL 2,8 mm)	1	1	1	1	1	1	1	1	1	1	1	1	1	1	1	1	1	1	1	1	1	1	1	1	2/01/17
12	C180300038	X	PROBE NTC IP67 3 m-50/+50°C	SONDA NTC SILICONA IP67 3m - 50/+50°C	1	1	1	1	1	1	1	1	1	1	1	1	1	1	1	1	1	1	1	1	1	1	1		

Notes: