

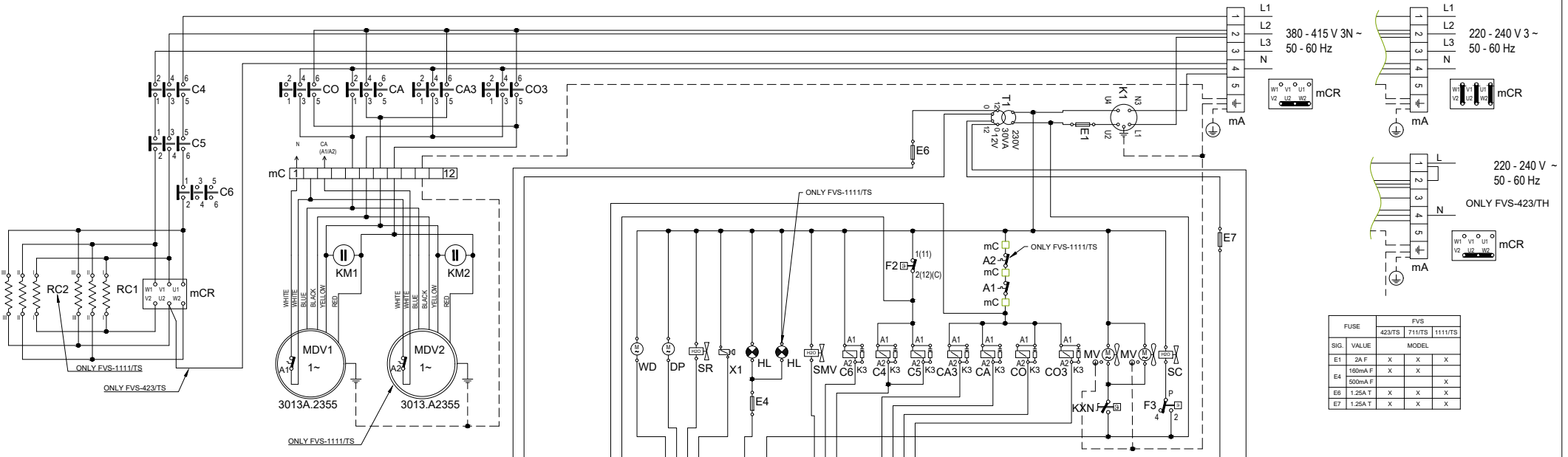


MOD : FVS-423/TS

Production code :B00.0041.00

08/2023

Technical data	Model / Type						
	FVS-423/TS	FVS-711/TS	FVS-1111/TS	FVS-423/TS	FVS-711/TS	FVS-1111/TS	FVS-423/TS
Power (kW)	4.4	8.9	14.5	4.4	8.9	14.5	3
Voltage (V)	380 - 415V 3N~			220 - 240V 3~			220 - 240V 1N~
Nominal current (A)	6.5	12.5	20	11	22.5	36.5	13
Frequency (Hz)	50 / 60						



FUSE	FVS			
	423/TS	711/TS	1111/TS	
SIG.	VALUE	MODEL		
E1	2A F	X	X	X
E4	160mA F	X	X	X
	500mA F			X
E6	1.25A T	X	X	X
E7	1.25A T	X	X	X

SIG	DESCRIPTION
A1	MOTOR THERMAL PROTECTION
A2	MOTOR THERMAL PROTECTION
C4	COOK CHAMBER HEATING ELEMENTS CONTACTOR
C5	COOK CHAMBER HEATING ELEMENTS CONTACTOR
C6	POWER REDUCTION CONTACTOR
CA	HIGH SPEED MOTORFAN'S CONTACTOR FOR COUNTERCLOCKWISE ROTATION
CA3	LOW SPEED MOTORFAN'S CONTACTOR FOR COUNTERCLOCKWISE ROTATION
CO	HIGH SPEED MOTORFAN'S CONTACTOR FOR CLOCKWISE ROTATION
CO3	LOW SPEED MOTORFAN'S CONTACTOR FOR CLOCKWISE ROTATION
CTP	CONTROL BOARD/INTERFACE TOUCH DISPLAY AND CONNECTIVITY
CY2	CONNECTOR FOR CORE PROBE Y2 FIXED ON THE PANEL
D3	SENSOR FOR DOOR OPENING
DP	RINSE AID LOADING PUMP
E1	CIRCUIT PROTECTION FUSE
E4	PROTECTION FUSE FOR COOKING CHAMBER LIGHTING
E6	PROTECTION FUSE FOR TOUCHPAD KEYBOARD
E7	PROTECTION FUSE FOR TOUCHPAD KEYBOARD
F3	CONDENSATION THERMOSTAT
HL	COOKING CHAMBER LIGHT
K1	LINE R.F.L.
K3	CONTACTORS AND RELAYS R.F.L.
KM1	SINGLE PHASE MOTORFAN CAPACITOR

KM2	SINGLE PHASE MOTORFAN CAPACITOR
KXN	CONTROL COMPARTMENT KLIXON TEMPERATURE CONTROL
mA	MAIN TERMINAL BOARD
mC	MOTORIS BOARD CONNECTION
mCR	BOARD CONNECTION FOR HEATING ELEMENT COMMUTATION
MDV1	DOUBLE SPEED MOTORFAN
MDV2	DOUBLE SPEED MOTORFAN
MRT	CONTROLLER FOR INLET/OUTLET SYSTEM
MV	CONTROL COMPARTMENT COOLING FAN
OBUS	CONNECTION BUS CABLE/INTERFACE FROM TOUCH TO MOTHERBOARD
QUSB	USB CABLE WITH CONNECTOR TYPE "A"
RC(A)	CHAMBER HEATING ELEMENTS
SC	STEAM CONDENSATION SOLENOID-VALVE
SMV	WATER SOLENOID-VALVE FOR MIX CYCLE AND STEAM
SR	WATER SOL-VALVE FOR COOK CHAMBER RINSING
T1	TRANSFORMER
WD	DETERGENT LOADING PUMP
X1	ELECTROMAGNET FOR RELEASE VALVE
Y1	COOKING CHAMBER TEMPERATURE PROBE
Y2	CORE TEMPERATURE PROBE
Y8	"NTC" PROBE INSTALLED TO CONTROL I/O BOARD
Y9	"NTC" PROBE INSTALLED TO CONTROL CPT TOUCH SCREEN BOARD TEMPERATURE

