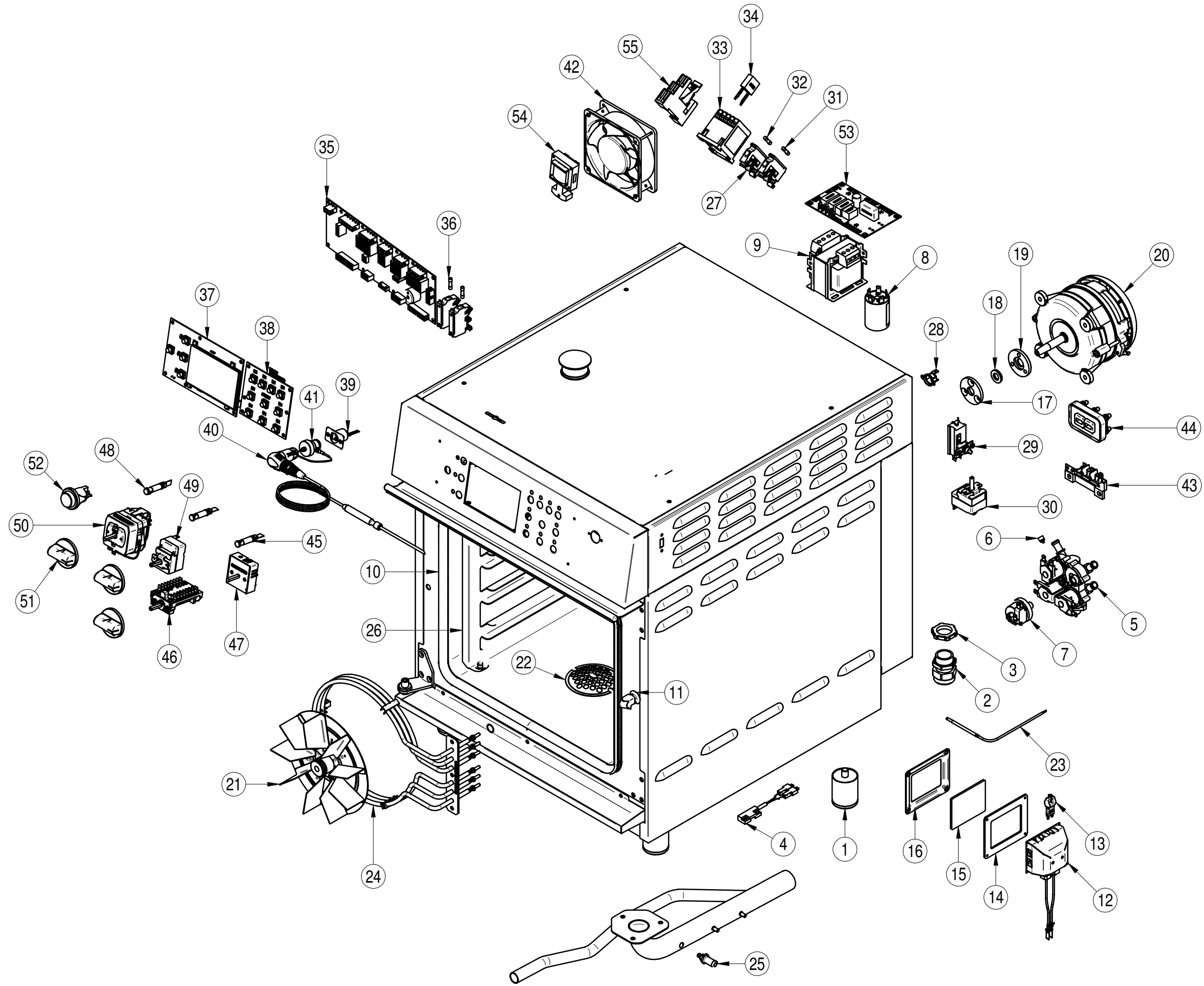
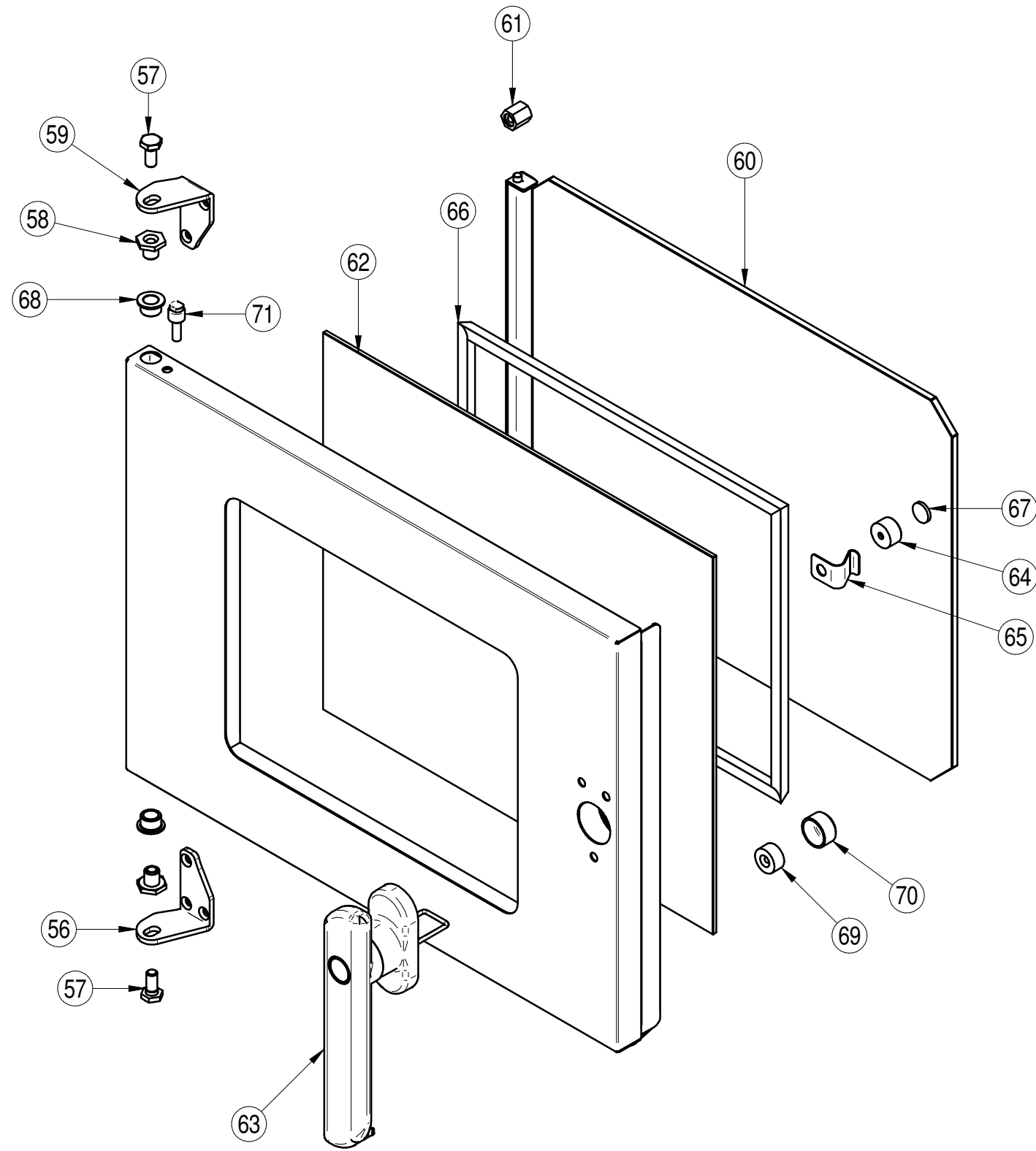


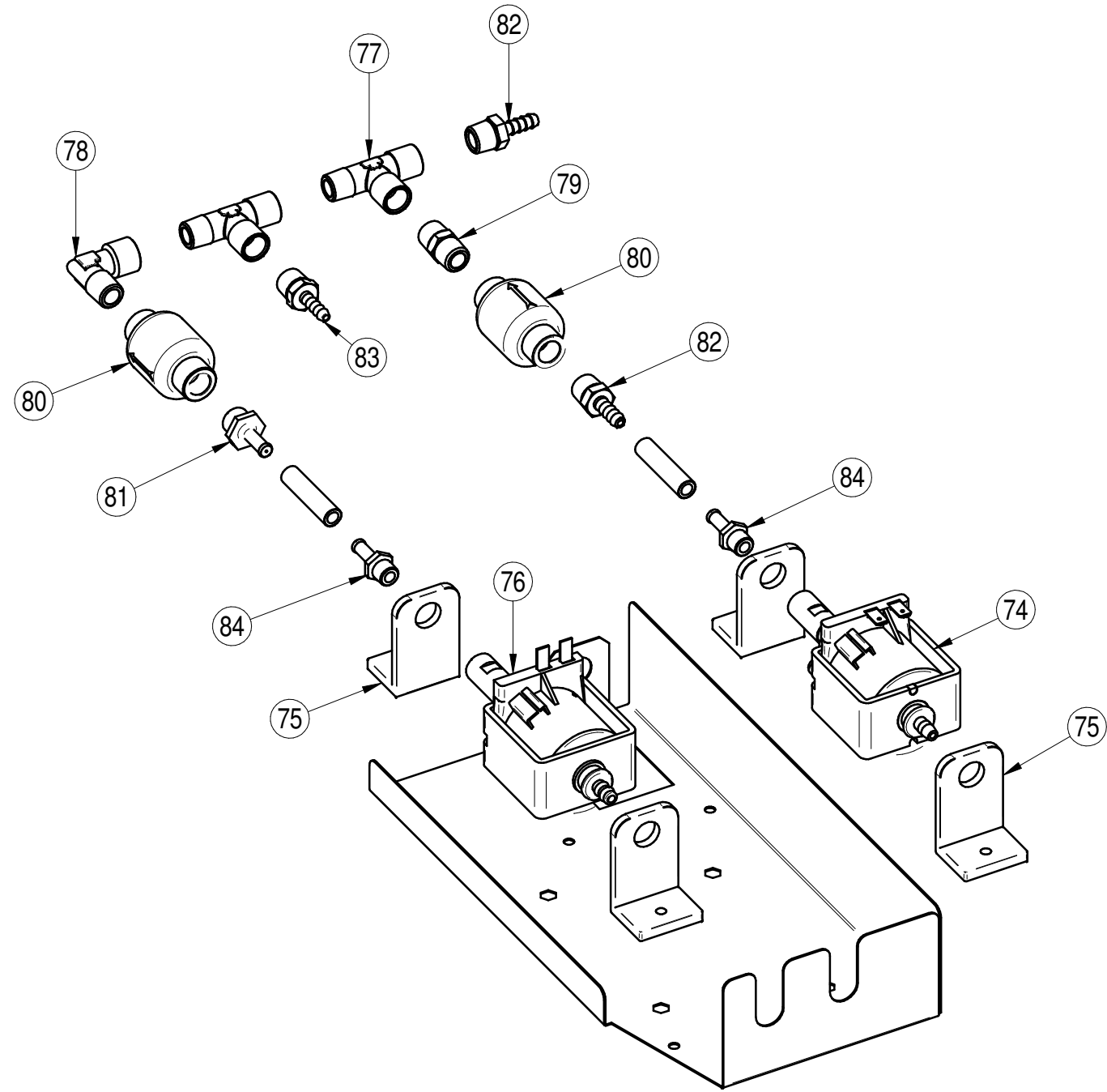
07/2021

Mod: FVS-423/TS

Production code:PK-DT-304E DI







Data:	Cod. esploso	FVS					FROM DATE	TO DATE	FVS-423	FVS-423/TS
11/06/2020	B04.0021.00									
Pos.	Codice	Descrizione	Description EN	Description FR	Q.Tà					
B04.0021A.00										
1	S0005-00	Piedino	Foot	Pied Du Four			4	4		
2	LA-052	PRESSACAVO PG-21	CABLE FITTING	FIXE CÂBLE			1	1		
3	LA-062	CONTRODADO PG-21	NUT	ECROU			1	1		
4	C8310-00	SENSORE MAGNETICO PORTA	MAGNETIC SENSOR FOR DOOR	MAGNETIQUE DE PORTE			1	1		
5	C3105-00	Elettrovalvola	Solenoid Valve	Électrovanne			-	1		
	C2088-00	Elettrovalvola	Solenoid Valve	Électrovanne			1	-		
6	C1707-00	Riduttore di portata per elettrovalvola acqua	Water flow reducer for solenoid walve	Réducteur de débit pour électrovanne d'eau			2	1		
7	C2074-00	PRESSOSTATO	PRESSURE SWITCH	PRESSOSTAT			-	1		
8	LC-317	FILTRO ANTINTERFERENZA	FILTER	FILTRE ANTIPARASITE			-	1		
9	LC-477	TRASFORMATORE	TRANSFORMER	TRANSFORMEUR			-	1		
10	S0222-00	Guarnizione camera	Cooking Chamber Gasket	Joint Chambre De Cuisson			1	1		
11	C7564-13	Ass. Nasello porta	Handle locking 1 step	Gache pour poignee 1 step			1	1		
12	C58.0031.00	Portalampada	Bulb Socket	Support De Lampe			1	1		
13	C58.0032.00	Lampada	Lamp	Lampe			1	1		
14	C58.0033.00	Guarnizione lampada	Lamp gasket	Joint lampe			1	1		
15	C58.0034.00	Vetro lampada	Bulb glass	Verre lampe			1	1		
16	C58.0035.00	Flangia per vetro lampada	Flange for bulb glass	Bride pour verre de lampe			1	1		
17	C9152-00	CONTROFLANGIA BLOCC. GUARNIZ. ALBERO	COUNTERFLANGE FOR SHAFT GASKET	CONTREFLASQUE BLOCAGE JOINT			1	1		
18	C9153-00	GUARNIZIONE TENUTA ALBERO	GASKET FOR MOTOR SHAFT	JOINT ARBRE MOTEUR			1	1		
19	C9154-00	FLANGIA BLOCC. GUARNIZ. ALBERO	FLANGE FOR MOTOR SHAFT GASKET	FLASQUE BLOCAGE ARBRE MOTEUR			1	1		
20	C9116-22	Motore doppia velocità	Double speed motor	-			1	1		
21	S0020-13	Ventola	Fan	Ventilateur			1	1		
22	C2125-00	FILTRO SCARICO CAMERA	FILTER FOR COOKING CHAMBER DRAINAGE	FILTRE VIDANGE CHAMBRE DE CUISSON			1	1		
23	C8138-00	SONDINO	PROBE	SONDE			-	1		
24	C3616-00	Resistenza	Heating Element	Résistance			1	1		
25	C1418-21	INIETTORE ACQUA	WATER INJECTOR	INJECTEUR EAU			1	1		
26	AZ971-00	Portateglie sx	Tray-Slides Left	Glissières Gauche			1	1		
	AZ972-00	Portateglie dx	Tray-Slides Right	Glissières Droit			1	1		
27	LC-420	Portafusibile	Terminal for fuse	Borne portefusibile			2	4		
28	FX0182-00	Termostato	Thermostat	Thermostat			1	1		
29	C2198-00	Term Sicurezza	Safety Thermostat	Thermostat De Sécurité			1	1		
30	C2185-00	Termostato	Thermostat	Thermostat			1	1		
31	LC-422	FUSIBILE 5x20F 2A	FUSE 2A 5X20F	FUSIBLE 2A 5x20F			1	1		
32	LC-426	FUSIBILE VETRO 160 mA 5x20T	FUSE 160 mA 5X20T	FUSIBLE 160 mA 5x20T			1	1		
33	C58.0010.00	Contattore	Contacteur	Contacteur			3	7		
34	C58.0011.00	Filtro antidisturbi per contattori	Contacteur Rfi	Filtre Anti-Interférence Contacteur			-	7		
35	MC-913-00	SCHEDA MASTER	MASTER KEYBOARD	CARTE ELECTRONIQUE MASTER			-	1		
36	LC-472	FUSIBILE 5x20T 1.25A	FUSE 1.25A 5X20T	FUSIBLE 1.25A 5x20T			-	2		
37	MC-912A-21+ORZ	Tastiera elettronica orizzontale	Electronic Keyboard	Clavier Électronique			-	1		

38	MC-912B-00	TASTIERA PASSIVA INF. TOUCH	LOWER PASSIVE KEYBOARD - TOUCH	CLAVIER PASSIVE INF. TOUCH			-	1
39	C8276-11	CONNETTORE PER SONDA AL CUORE	PLUG FOR CORE TEMPERATURE PROBE	CONNECTEUR POUR SONDE AU COEUR			-	1
40	C8278-11	SONDA AL CUORE	CORE PROBE	SONDE AU COEUR			-	1
41	C8277-11	TAPPO CHIUSURA	CLOSING CAP	BOUCHON DE FERMETURE			-	1
42	FX0068-12	VENTILATORE	COOLING MOTOR FAN	MOTOVENTILATEUR DE REFROIDISSEMENT			1	2
43	FX0145-00	Morsettiera	Terminal Board	Terminal			1	1
44	C62.0000.00	Morsettiera	Terminal Board	Terminal			1	1
45	C5410-00	Lampada spia verde	Green Pilot Lamp	Voyant Vert			1	-
46	C8160-00	COMMUTATORE	COMMUTATOR	COMMUTATEUR			1	-
47	C2192-12	Regolatore energia	Energy Regulator	Régulateur D'Énergie			1	-
48	C5411-00	Lampada spia arancio	Orange Pilot Lamp	Voyant Orange			2	-
49	LC-357	Termostato	Thermostat	Thermostat			1	-
50	AZ130-00	Timer	Timer	Minuterie			1	-
51	C8293-22	Manopola	Knob	Manette			3	-
52	AZ129-00	INTERRUTTORE	SWITCH	INTERRUPTEUR			2	-
53	C58.0028.00	Scheda Timer	Timer board	Fiche électronique de minuterie			1	-
54	LC-370	ELETTROMAGNETE	ELECTROMAGNET	ELECTRO AIMANT			-	1
55	AZ019-00	RELE'	RELAY	RELAIS			-	2
B04.0021B.00								
56	R0253-00	Cerniera inferiore	Lower Hinge	Charnière Inf.			1	1
57	V0074-00	Perno cerniera	Hinge Pin	Axe De Charnière			2	2
58	V0075-00	Boccola cerniera	Hinge Bushing	Bague Charnière			2	2
59	R0254-00	Cerniera	Hinge	Charnière			1	1
60	AZ391-00	Vetro interno	Internal Glass	Verre Intérieure			1	1
61	C9037-00	SUPPORTO PERNO CRISTALLO INT.	SUPPORT F. INTERNAL GLASS	SUPPORT PIVOT VITRE INTERIEURE			1	1
62	R0276-00	Vetro esterno	External Glass	Verre Extérieure			1	1
63	R0267-00	Maniglia porta	Door Handle	Poignée De Porte			1	1
64	C9034-00	PERNO BATTUTA CRISTALLO INT.	PIN FOR INTERNAL GLASS	PIVOT POUR GLACE INTERIEUR			2	2
65	C7569-00	MOLLA FISS. CRISTALLO EST.	SPRING TO FIX EXTERNAL GLASS	RESSORT FIXAGE VITRE EXTERIEURE			2	2
66	R0220-00	Guarnizione	Gasket	Joint d'étanchéité			1	1
67	C9032-00	GUARNIZIONE Ø 16 BATTUTA CRIST.	SUPPORTING GASKET Ø 16 FOR FRONT GLASS	JOINT Ø 16 Sr - COMPACT			2	2
68	V0088-00	Boccola cerniera	Hinge Bushing	Bague Charnière			2	2
69	C8308-00	MAGNETE PER SENSORE PORTA Ø 20	MAGNET FOR DOOR SENSOR Ø 20	AIMANT PORTE			1	1
70	TS4165-00	boccola coperchio magnete	magnet cover bushing	boucle pour couvercle aimant			1	1
71	R0266-00	FERMO PORTA	-	-			1	1
B04.0021C.00								
72	C5770-00	Pompa a vibrazione	Vibration pump	0			-	1
73	C7268-00	Supporto pompa	Pump support	0			-	4
74	C7263-00	Pompa a vibrazione	Vibration pump	0			-	1
75	HR-041	Raccordo a T da 1/4 F-F-M	t-junction 1/4 F-F-M	raccord à T			-	2
76	HR-074	GOMITO M.F. 1/4	-	-			-	1
77	HR-089	Nipples da 1/4` M-M GC	nipples 1/4` M-M GC	nipples			-	1
78	HC-085	Valvola ritegno 1/4"	Check valve 1/4"	0			-	2
79	C1709-00	Iniettore Acqua	Water Injector	Injecteur Eau			-	1
80	HR-595	Raccordo portagomma da 1/4 x tubo Ø 7	hose connector 1/4 x hose Ø 7	Raccord 1/4 de tuyau pour tube Ø 7			-	2
81	HR-674	Raccordo portagomma da 1/4 x tubo Ø 6	hose connector 1/4 x hose Ø 6	Raccord 1/4 de tuyau pour tube Ø 6			-	1
82	C1710-13	Raccordo portagomma da 1/8 x tubo Ø 7	hose connector 1/8 x hose Ø 7	Raccord 1/8 de tuyau pour tube Ø 7			-	2