

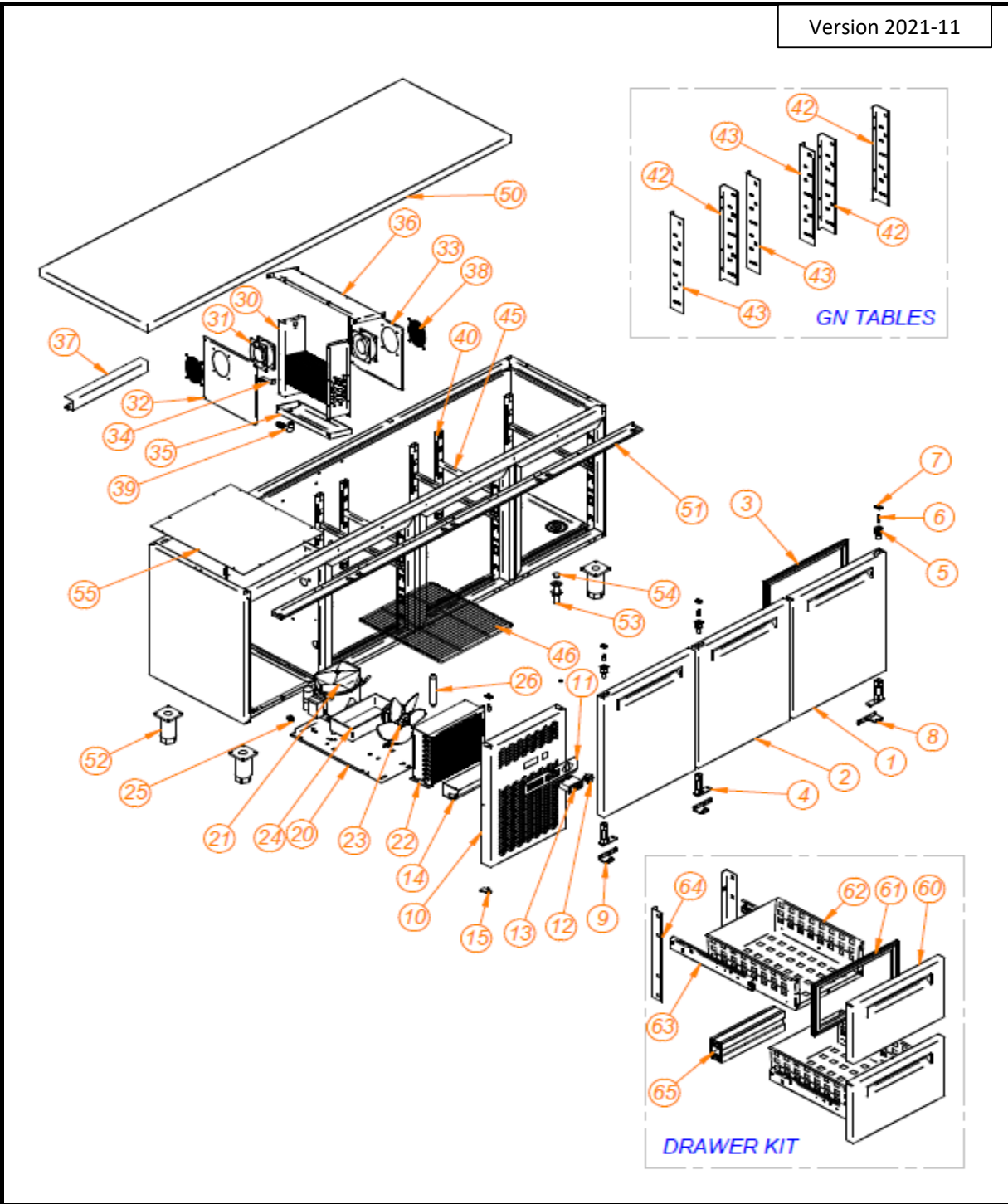
10/2021

Mod: MR2/R2

Production code: 19046409

19046413	BMIV15/R2
19046414	BMIV20/R2
19046409	MR2/R2
19046411	MR3/R2
19046412	MR4/R2

Version 2021-11



Nº	CODE CÓDIGO	RECOM.	DESCRIPTION	DESCRIPCIÓN	19046413	19046414	19046409	19046411	19046412	
1	12085193		RIGHT DOOR ASSEMBLY	CONJUNTO PUERTA DCH.	1	1				
	12085195							1	1	2
2	12085192		LEFT DOOR ASSEMBLY	CONJUNTO PUERTA IZD.	1	2				
	12085194							1	2	2
3	12035412		DOOR WEATHERSTRIP	BURLETE PUERTA	2	3				
	12038156							2	3	4
4	12038130		DOUBLE SPRING HINGE	BISAGRA DOBLE MUELLE	2	3	2	3	4	
5	12037723		AXLE BOX HOUSING	CAJA ALOJAMIENTO EJE	2	3	2	3	4	
6	12037138		THREADED AXLE M6	EJE ROSCADO M6	3	4	2	4	5	
7	12050272		QUICK NUT TRT M6	TUERCA RAPIDA TRT M6	3	4	3	4	5	
8	12037017		BOTTOM RIGHT HINGE SUPPORT	SOPORTE BISAGRA INFER.DCH	1	1	1	1	2	
9	12036986		BOTTOM LEFT HINGE SUPPORT	SOPORTE BISAGRA INFER.IZD	1	2	1	2	2	
10	12085683		GRID CONTROL PANEL	REJILLA CUADRO MANDOS	1	1	1	1	1	
11	12240166		CONTROL PANEL STICKER	PEGATINA CUADRO MANDOS	1	1	1	1	1	
12	12067565		SWITCH	INTERRUPTOR GENERAL	1	1	1	1	1	
13	12047691		COOLING THERMOSTAT	TERMOSTATO REFRIGERACION	1	1	1	1	1	
14	12074469		ELECTR.INSTALLATION PROTECTOR	PROTECCION INST.ELECTRICA	1	1	1	1	1	
15	12037372		CONTROL PANEL SUPPORT	SOPORTE REJILLA	1	1	1	1	1	
20	12069996		CONDENSING UNIT BASE	BANCADA UND.CONDENSADORA	1	1	1	1	1	
21	12253307		COMPRESSOR	COMPRESOR	1	1	1	1		
	12253308									1
22	12032377		CONDENSER	CONDENSADOR	1	1	1	1	1	
23	12059041		CONDENSER FAN	VENTILADOR DEL CONDENSADOR	1	1	1	1	1	
24	12036623		EVAPORATION TRAY AUTOMATIC	BANDEJA EVAPORACION AUTOMATICA	1	1	1	1	1	
25	12057432		GLAND 90°	PILLACABLES 90°	1	1	1	1	1	
26	12061055		FILTER DESIDRATADOR	FILTRO DESIDRATADOR	1	1	1	1	1	
29	12036805		POWER SUPPLAY	MANGUERA ALIMENTACION	1	1	1	1	1	
30	12191681		EVAPORATOR	EVAPORADOR	1	1	1	1	1	
31	12067528		FAN 120X120 220V	VENTILADOR 120X120	2	2	2	2	2	
32	12214696		LEFT EVAPORATOR COVER	TAPA EVAPORADOR IZD.	1	1	1	1	1	
33	12214697		RIGHT EVAPORATOR COVER	TAPAR EVAPORADOR DCH.	1	1	1	1	1	
34	12214698		LOWER BRACKET BOX	SOPORTE INF.CAJA	1	1	1	1	1	
35	12169796		DRAIN TRAY	BANDEJA DESAGÜE	1	1	1	1	1	
36	12214693		BRACKET EVAPORATOR	SOPORTE EVAPORADOR	1	1				
	12214695							1	1	1
37	12074192		TUBE COVER	TAPA TUBOS	1	1				
	12074193							1	1	
	12074194									1
38	12068153		FAN GRILLE 120x120	REJILLA VENTILADOR 120x120	2	2	2	2	2	
39	12066771		DRAIN PIPE 90 ° D18/2MT	TUBO DESAGÜE D18/2MT CODO 90°	1	1	1	1	1	
40	12036498		INTERIOR ZIPPER BMIV	CREMALLERA INTERIOR BMIV	4	6				
43	12046632		LEFT BACK ZIPPER MR	CREMALLERA RESPALDO IZD.MR			2	3	4	
44	12044550		RIGHT BACK ZIPPER MR	CREMALLERA RESPALDO DCH.MR			2	3	4	
45	12074125		RACK GUIDE	GUIA PARRILLA	4	6				
	12037936							4	6	8
46	12034975		RACK	PARRILLA	2	3				
	12035781							2	3	4

50	12085983	TOP	ENCIMERA	1				
	12085982				1			
	12085984						1	
	12085985							1
	12085986							
51	12073698	UPPER BRACKET DOOR	SOPORTE SUPERIOR PUERTA	1				
	12073699				1			
	12073700						1	
	12073701							1
	12073702							
52	12033566	ADJUSTABLE LEG	PATA REGULABLE	4	4	4	4	6
53	12037489	DRAIN	DESAGÜE	1	1	1	1	1
54	12037989	DRAIN PLUG	TAPON DESAGÜE	1	1	1	1	1
55	12074471	CONDENSING UNIT ROOF	TECHO UNIDAD CONDENSADORA	1	1			
	12074470					1	1	1
100	12165835	CONDENSING UNIT COMPLETE	UND.CONDENSADORA	1	1	1	1	
	12234554							1
101	12210561	EVAPORATIVE UNIT COMPLETE	CONJUNTO UND.EVAPORATIVA	1	1	1	1	
	12210563							1

