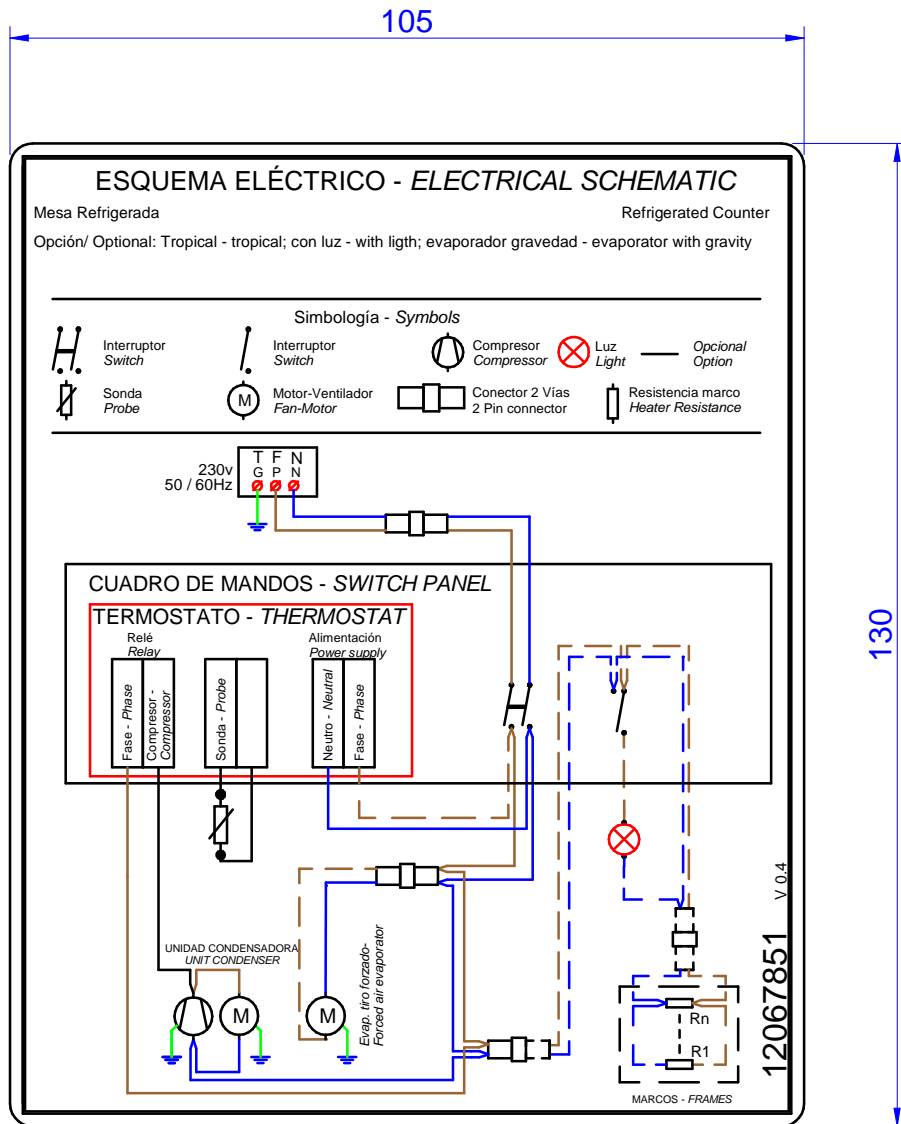


03/2023

Mod: MR-PIZZA/R2

Production code: 19052160



Este plano es propiedad de EFFICOLD, queda prohibida su reproducción, total o parcial
 This drawing is property of EFFICOLD, it's forbidden its partial or total reproduction

CNC:

PEG.INS.MESA FRIO.TROPIC. LUZ		-	12067851	PEGATINA ADHESIVA																																																		
Nº	TITLE	QTY	CODE	MATERIAL	TREATMENT																																																	
GENERAL TOLERANCES: ISO 2768-1 Fine					SHEET FORMAT: A4																																																	
<table border="1"> <thead> <tr> <th rowspan="2">LINEAR</th> <th colspan="5">ISO 2768-1</th> <th rowspan="2">ANGULAR</th> </tr> <tr> <th>Fine</th> <th>Medium</th> <th>Coarse</th> <th>Very Coarse</th> </tr> </thead> <tbody> <tr> <td><3mm</td> <td>±0.05</td> <td>±0.10</td> <td>±0.15</td> <td></td> </tr> <tr> <td>3-6mm</td> <td>±0.05</td> <td>±0.10</td> <td>±0.20</td> <td></td> </tr> <tr> <td>6-30mm</td> <td>±0.10</td> <td>±0.20</td> <td>±0.50</td> <td></td> </tr> <tr> <td>30-120mm</td> <td>±0.15</td> <td>±0.30</td> <td>±0.80</td> <td></td> </tr> <tr> <td>120-400mm</td> <td>±0.20</td> <td>±0.50</td> <td>±1.20</td> <td></td> </tr> <tr> <td>400-1000mm</td> <td>±0.30</td> <td>±0.80</td> <td>±2.00</td> <td></td> </tr> <tr> <td>1000-2000mm</td> <td>±0.50</td> <td>±1.20</td> <td>±3.00</td> <td></td> </tr> </tbody> </table>					LINEAR	ISO 2768-1					ANGULAR	Fine	Medium	Coarse	Very Coarse	<3mm	±0.05	±0.10	±0.15		3-6mm	±0.05	±0.10	±0.20		6-30mm	±0.10	±0.20	±0.50		30-120mm	±0.15	±0.30	±0.80		120-400mm	±0.20	±0.50	±1.20		400-1000mm	±0.30	±0.80	±2.00		1000-2000mm	±0.50	±1.20	±3.00		DESIGNED BY	VALIDATED BY	DATE	SHEET: 1 / 1
LINEAR	ISO 2768-1					ANGULAR																																																
	Fine				Medium		Coarse	Very Coarse																																														
<3mm	±0.05				±0.10	±0.15																																																
3-6mm	±0.05	±0.10	±0.20																																																			
6-30mm	±0.10	±0.20	±0.50																																																			
30-120mm	±0.15	±0.30	±0.80																																																			
120-400mm	±0.20	±0.50	±1.20																																																			
400-1000mm	±0.30	±0.80	±2.00																																																			
1000-2000mm	±0.50	±1.20	±3.00																																																			
GENERAL TOLERANCE FOR FORM AND POSITION: ISO 2768-2		A.J.GONZALEZ			17.02.2022	SCALE: 1:1																																																
12067851		VERSION 00	REVISION			Añadimos líneas discontinuas																																																
PROPOSED BY:			ISSUE DATE:																																																			