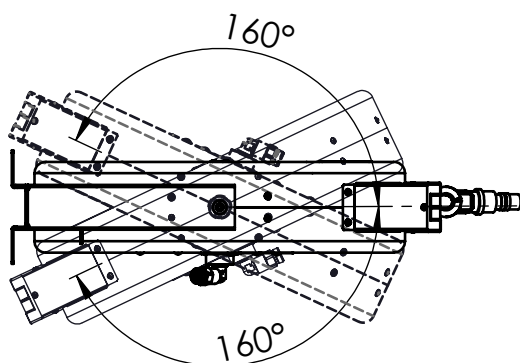
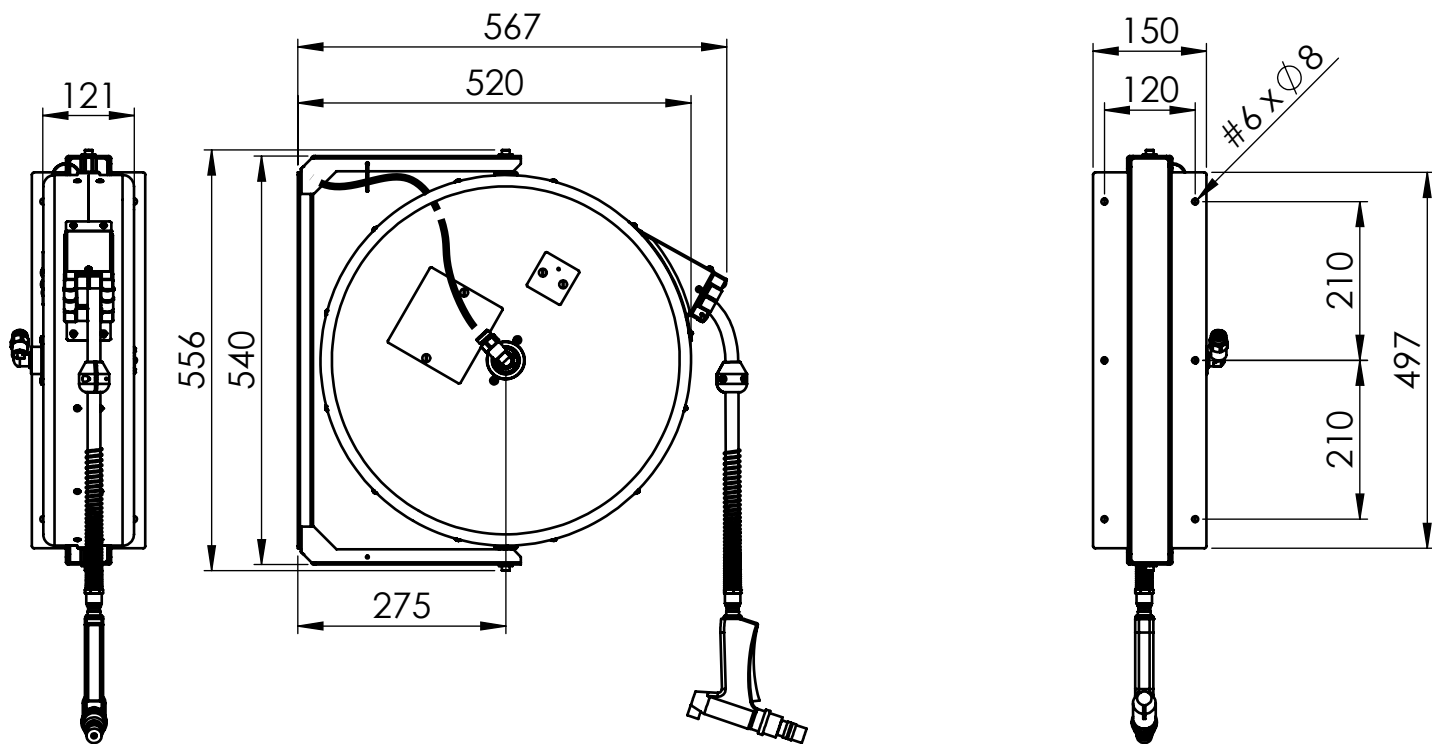


09/2021

Mod: MAX-15/R2

Production code: 5R.M15.448/DE



AISI 304 Case & Wall Bracket

Inlet Pipe Path through the Support Ring

G1/2" Male Inlet (Left side)

DN10 x 15 meters

Adjustable Flow Spray Gun

TITLE / DESCRIZIONE

Enclosed, wall-mount swivel MAXIReel Hose Reel with 15 meter-long (DN10). NITO 1 spray gun with adjustable flow, G1/2" male inlet with built-in check valve, Cover and Wall Bracket AISI 304 Stainless Steel.

DRN / DIS

CHD / VER

APPR

SCALE / SCALA 1:10

DATE / DATA 27/02/2020

SHEET / PAG 1 of 2

NUMBER / CODICE DIS.

MODEL / PRODOTTO
MAX-15/R2

A4V