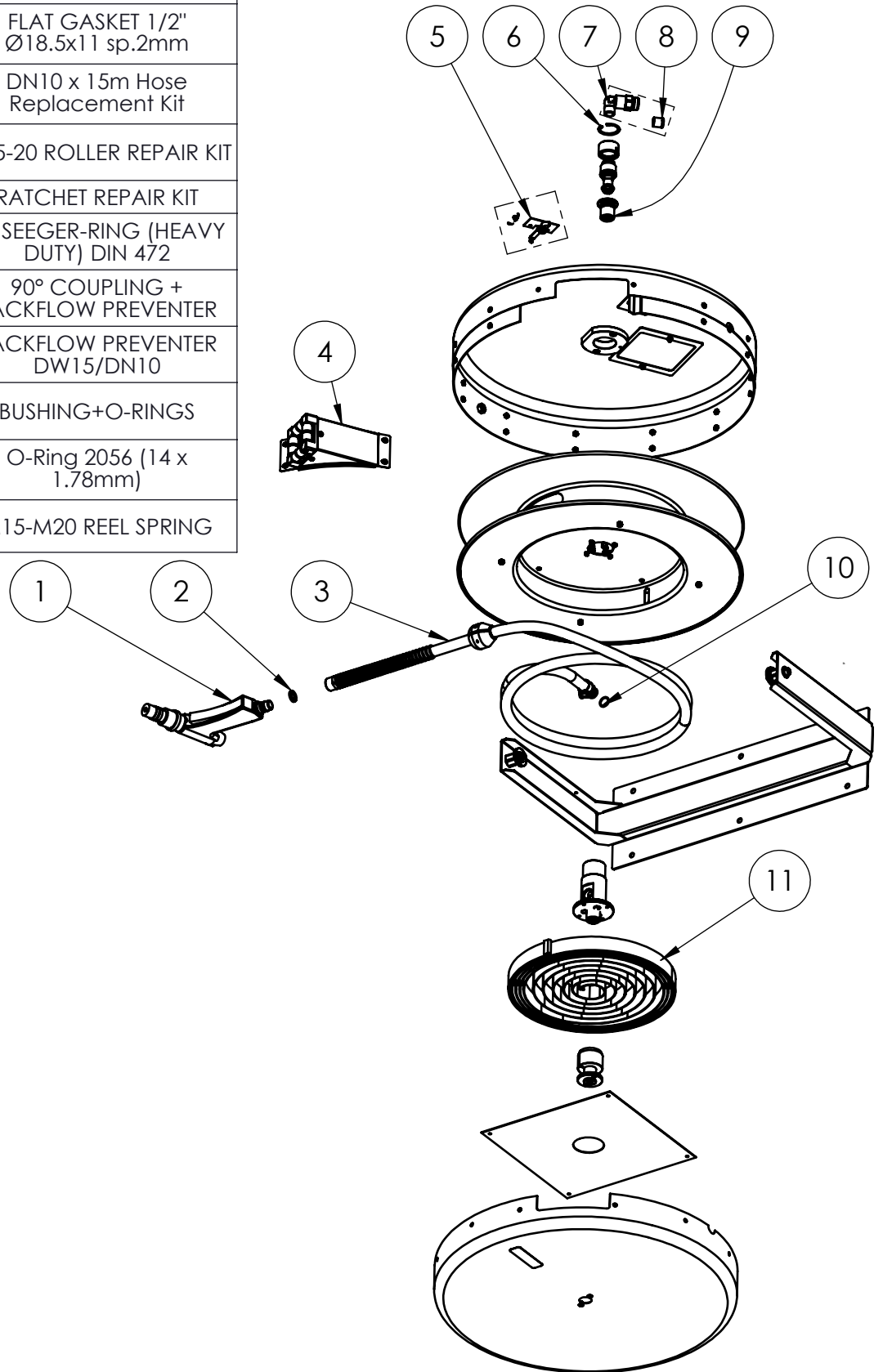


09/2021

Mod: MAX-15/R2

Production code: 5R.M15.448/DE

ITEM NO.	SALES NO.	DESCRIPTION
1	P448	NITO1 w.Female G1/2" fitting
2	P074	FLAT GASKET 1/2" Ø18.5x11 sp.2mm
3	F135	DN10 x 15m Hose Replacement Kit
4	P387	M15-20 ROLLER REPAIR KIT
5	P273	RATCHET REPAIR KIT
6	P206	JS SEEGER-RING (HEAVY DUTY) DIN 472
7	P203	90° COUPLING + BACKFLOW PREVENTER
8	P030	BACKFLOW PREVENTER DW15/DN10
9	P333	BUSHING+O-RINGS
10	P097	O-Ring 2056 (14 x 1.78mm)
11	P223	M15-M20 REEL SPRING



TITLE / DESCRIZIONE
 Enclosed, wall-mount swivel MAXIReel Hose Reel with 15 meter-long (DN10). NITO 1 spray gun with adjustable flow, G1/2" male inlet with built-in check valve, Cover and Wall Bracket AISI 304 Stainless Steel.

DRN / DIS	CHD / VER	APPR
SCALE / SCALA 1:10	DATE / DATA 27/02/2020	SHEET / PAG 2 of 2
NUMBER / CODICE DIS.	MODEL / PRODOTTO MAX-15/R2	