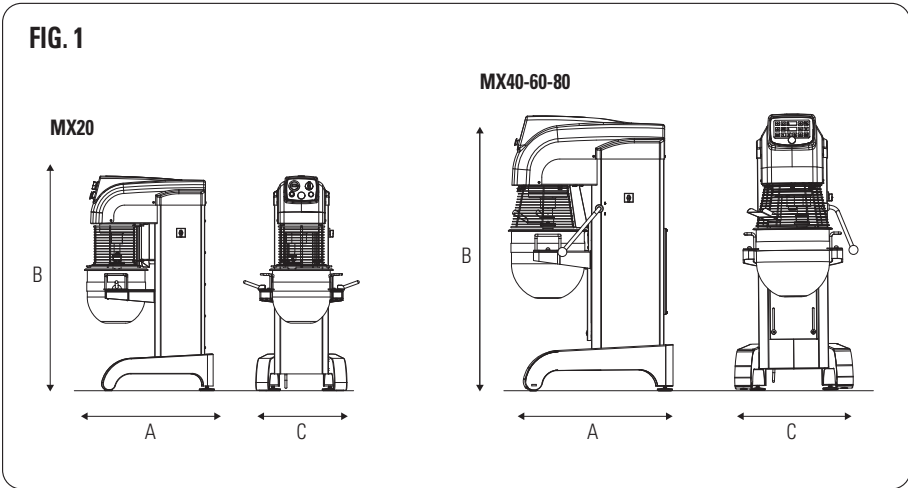


11/2019

Mod: < 6A!&\$A # J

Production code: AL&\$DA

1.3 Technical characteristics



Model	Capacity Lt	Speed Rpm	Volt	Power Kw	Dimensions mm			Weight Kg
					A	C	B	
MX20T	20	30/60/120	400/50/3	1,1	700x500x1200			110
MX40T	40	30/60/120	400/50/3	1,3	910x650x1520			250
MX60T	60	30/60/120	400/50/3	1,7	1000x680x1600			280
MX80T	80	30/60/120	400/50/3	1,7	1000x680x1600			290
MX20P/M	20	min.30 / max 120	230/50/1	0,75	700x500x1200			110
MX20P	20	min.30 / max 120	400/50/3	0,75	700x500x1200			110
MX40P/E	40	min.30 / max 120	400/50/3	2,2	910x610x1520			250
MX60P/E	60	min.30 / max 120	400/50/3	3	1000x680x1600			280
MX80P/E	80	min.30 / max 120	400/50/3	3	1000x680x1600			290

1.4 Electrical diagrams

For electrical diagrams refer to FIG. (page...)

1.5 Area occupied by the operator

Under normal operating conditions and for optimal use of the machine's capacities, the operator requires the area outlined in FIG.2.