

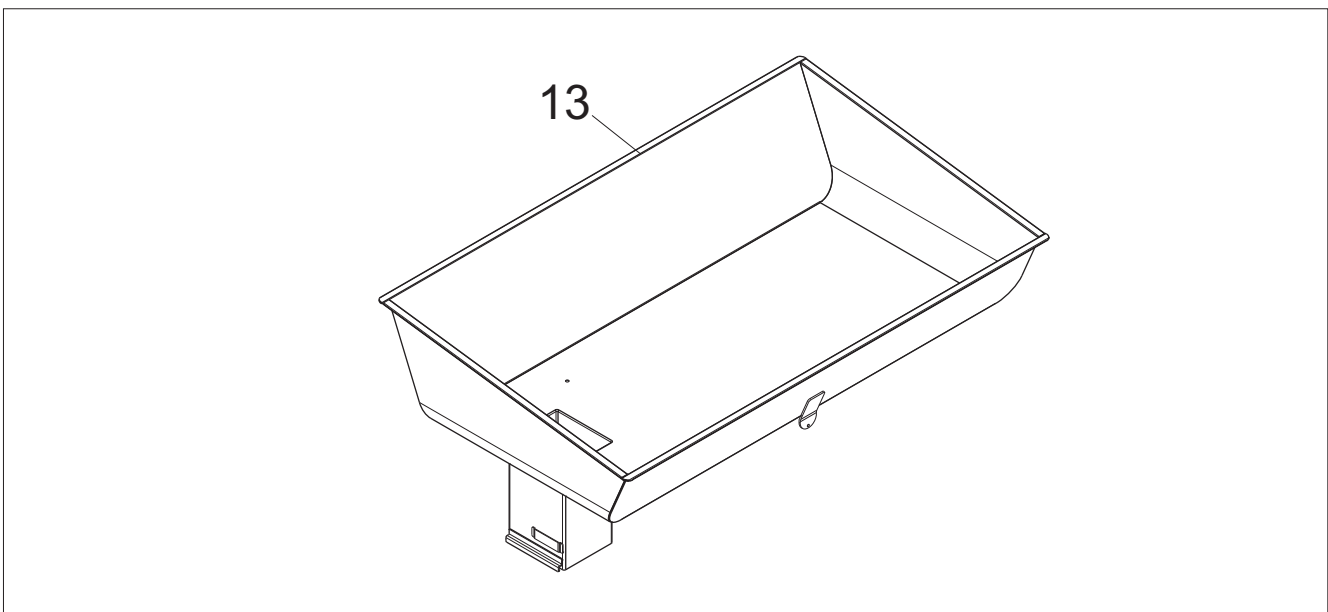
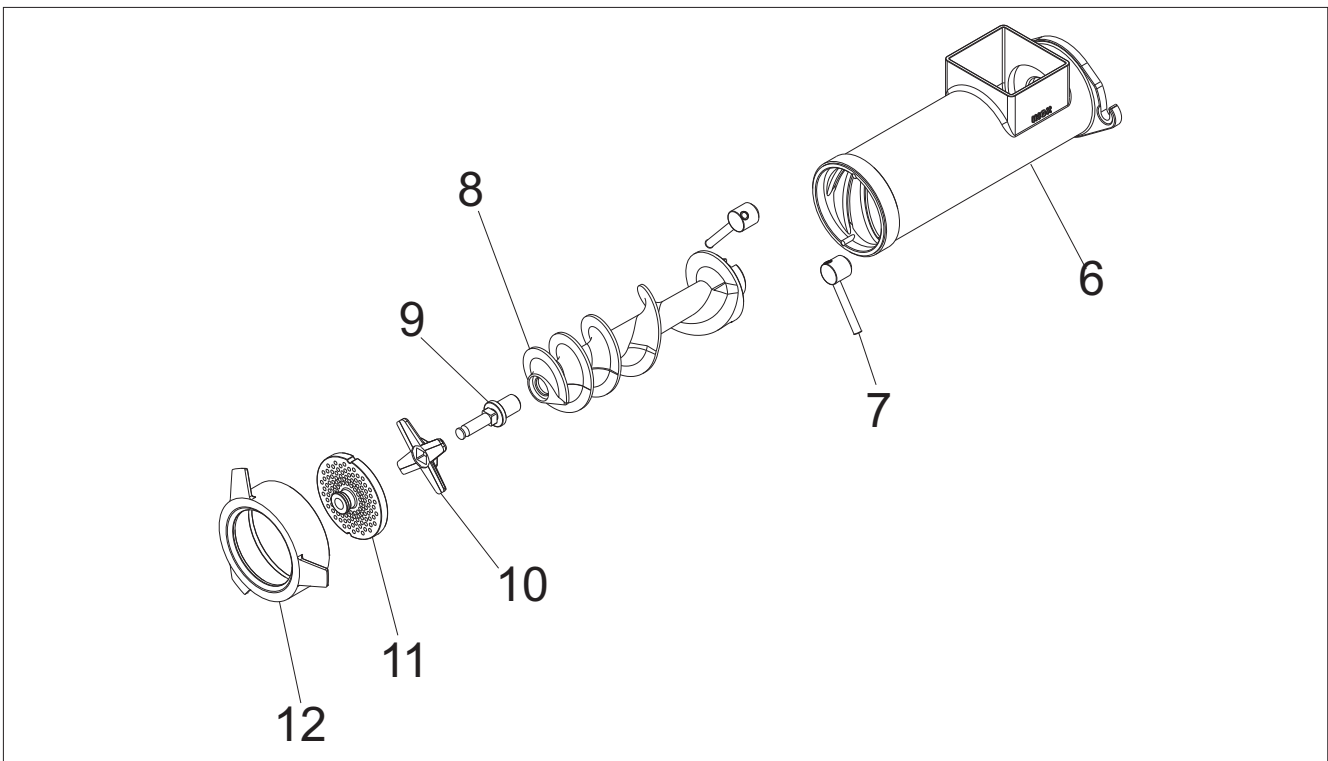
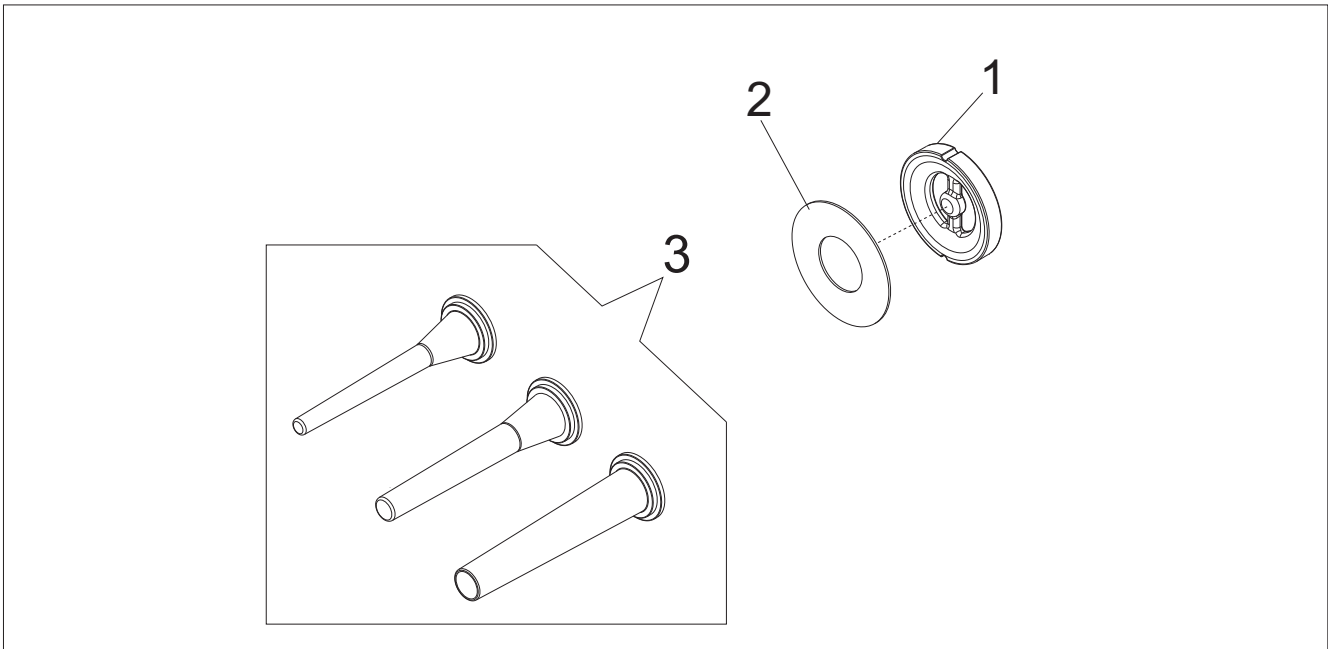
08/2017

Mod: TTGD-32/CB-N

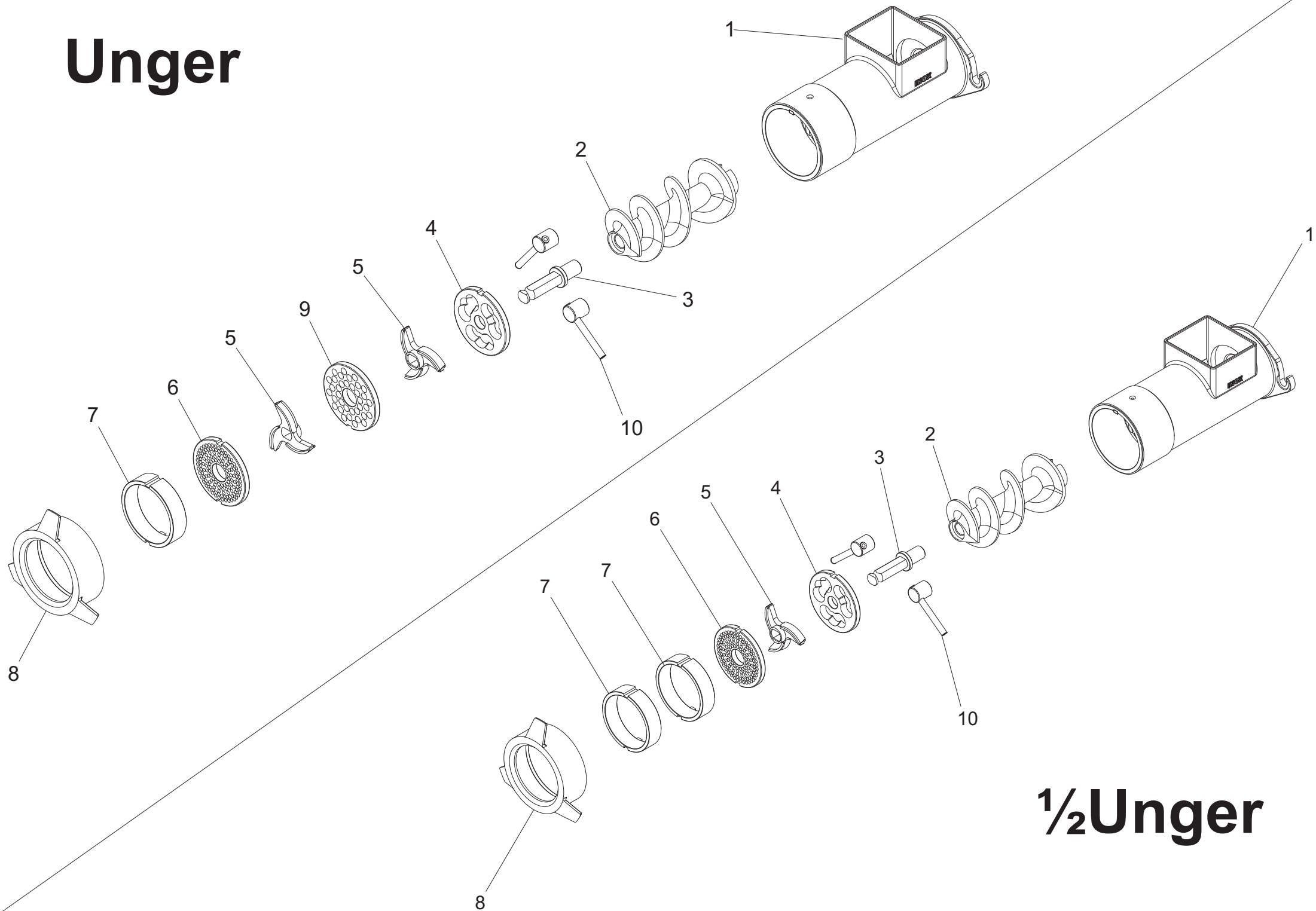
Production code: 2132201323213



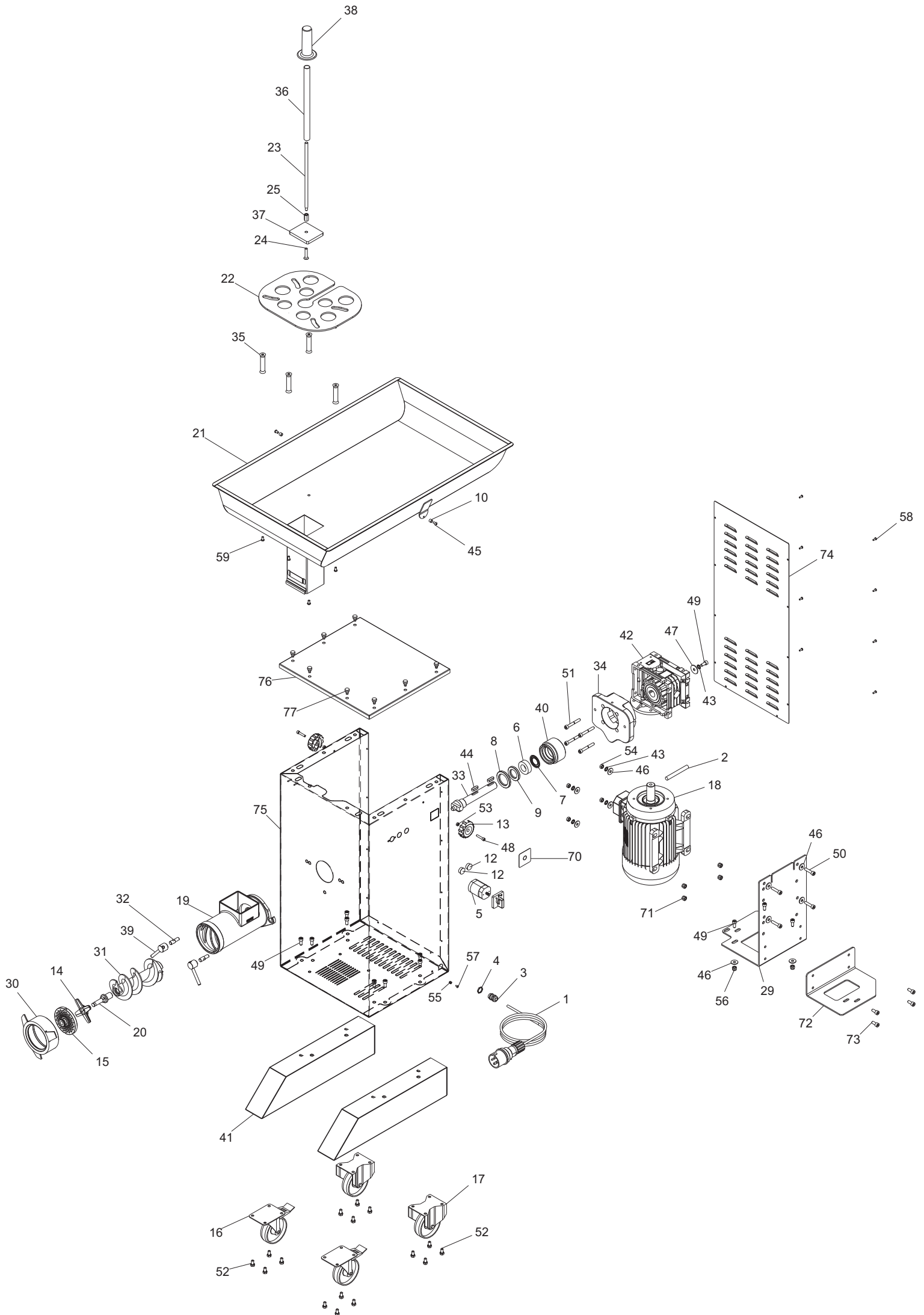
Diamond
catering equipment



Unger



1/2 Unger



TC 32 MONTANA Y12 Hp 4 400/50/3 - from 2016.03.18			
Ref.	Product name	Code	Q
1	STUFFER SPACER FOR TC 32	LF2038615	1
2	STUFFER LOCKING RING FOR TC 32	LF2038618	1
3	SET POLYETH.NOZZLES Ø 10-18-25 _ IS	LF2011015	1
6	BOCCA MICROP.IX LONG 1CH TC 32 SM	LF2039792	1
7	LEVER NUT _ TC 32-42 MONTANA	LF2039743	1
8	S/STEEL FEEDING WORM _ MASTER60/TC32	LF2093603	1
9	FEEDING WORM SHAFT _ TC 32	LF2033013	1
10	S/S KNIFE FOR TC 32 BICOMPONENT	LF1533000S	1
11	S/S PLATE MM 4,5 TC 32_2C BICOMPONE	LF1533045I2S	1
12	FIXING SCREW TC 32	LF2035965	1
13	TRAMOGGIA IX TC32 1050*623*230 LT78	LF2034430	1

TC 32 MONTANA Y12 Hp 4 400/50/3 - from 2016.03.18			
Ref.	Product name	Code	Q
1	S/S UNGER MOUTH LONG _ TC 32 BUFFALO	LF2039707	1
2	FEEDING WORM TC 32 BUFFALO	LF2039703	1
3	UNGER WORM PIN FOR TC 32	LF2033202	1
4	COARSE PLATE FOR TC 32	LF15332ZZ	1
5	UNGER KNIFE FOR TC 32	LF1533200	1
6	UNGER PLATE MM 5 TC 32 _ 2C	LF1533250/2	1
7	SPACER RING 2C TC 32 UNGER	LF15332DD2X	1
8	RING NUT, LONG _ TC 32	LF2035966	1
9	UNGER PLATE MM 10 TC 32	LF1533210	1
10	LEVER NUT _ TC 32-42 MONTANA	LF2039743	1

TC 32 MONTANA Y12 Hp 4 400/50/3 - from 2016.03.18			
Ref.	Product name	Code	Q
1	CAVO + SPINA CEE 3P + T.	LF1010047	1
2	POWER LEAD, MOTOR TF/1,5	LF1010055	1
3	STRAIN RELIEF + NUT	LF1010063	1
4	DADO OTT.NICH.PG 11	LF1010063A	10
5	ROTARY SWITCH FOR TC/IP	LF1033001	1
6	BALL BEARING 32005 TC32	LF1193701	1
7	PROT. CUSC.32005X TC GOL 1204JV	LF1193705	1
8	SEAL 40-62-7	LF1239401	1
9	DOUBLE LIP SEAL 30-52-7	LF1293701	1
10	SPACER PLAST. TRA. 10X6, 2X7, 5	LF1437501	1
12	TAPPI COPRIFORO X PULS. TCQ NO CE	LF1438705	10
13	LOCKING KNOB _ BONE SAW INOX	LF1510704	1
14	S/S KNIFE FOR TC 32 BICOMPONENT	LF1533000S	1
15	S/S PLATE MM 4,5 TC 32_2C BICOMPONE	LF1533045I2S	1
16	SWIVEL.CASTER W/BRAKE D.100	LF1534401	1
17	S/S NON-SWIVEL.CASTER D.100	LF1541005	1
18	MOTORE TC B14 M100/90 4P 4HP 400/50	LF1891030201	1
19	OPENING FOR MINCER TC 32	lf2039701	1
20	FEEDING WORM SHAFT _ TC 32	LF2033013	1
21	TRAMOGG. TC 32 MNT 900*563*120 LT60	LF2034420	1

22	SALVAMANO INOX MICROP. TC 42 SM	LF2034511	1
23	BARRA FILETTATA PESTELLO TC 42	LF2034543	1
24	VITE TSP M8X40 PEST TC 32-42	LF2034544	1
25	DADO INOX M8 X 20 PEST. TC 32-42	LF2034545	1
29	STAFFA SUPP. MOT. TC 42 VERT	LF2034609	1
30	FIXING SCREW TC 32	LF2035965	1
31	FEEDING WORM TC 32 BUFFALO	LF2039703	1
32	PRIGIONIE.SBLOC.BOCCA TC 32 SM	LF2039722	1
33	DRIVE SHAFT FOR TC32	LF2039725	1
34	FLANGIA ALL. SUPP. BOCCA TC42 LAV.	LF2039732	1
35	DISTANZIALI H.100 PARAMANO TC	LF2039733	1
36	TUBO PESTELLO TC 32	LF2039736	1
37	PAD, PESTLE TC32	LF2039738	1
38	MANOPOLA PRES.MERC.CON FLANG.CE BIZ	19562904BZ	1
39	LEVER NUT _ TC 32-42 MONTANA	LF2039743	1
40	COLLO INOX BOCCA TC 32 TCM 60L	LF2093618	1
41	PIEDE DRITTO CARENA TCM 30L	LF2093710	1
42	RIDUTTORE MRV 63 I=7,5 TCM 30L	LF2093760	1
43	RONDELLA DENTEL. DIN 6798-A D 8E	IX26798A008	20
44	KEY DIN 6885/A 8X7X28	IX26885A080728	1
45	SCREW TBEI ISO 7380 M 6X10	IX27380006010	10
46	WASHER DIN 9021 D 8X24	IX29021008024	10
47	RONDELLA F.LARGA DIN 9021 D 8X32	IX29021008032	10
48	HEX.SOCKET HEAD CAP SCREW M6 X 30	IX2912006030	10
49	VITE TCEI DIN 912 M 8X18	IX2912008018	10
50	VITE TCEI DIN 912 M 8X35	IX2912008035	10
51	VITE TCEI DIN 912 M 8X60	IX2912008060	5
52	VITE TE DIN 933 M 8X16 T.F.	IX2933008016	10
53	HEX.NUT DIN 934 M 6	IX2934006	20
54	HEX.NUT DIN 934 M8	IX2934008	20
55	DADO AUTOBLOCC. ES DIN 982 M 4 ALTO	IX2982004	20
56	DADO AUTOBLOCC. ES DIN 982 M8 ALTO	IX2982008	10
57	VITE POELIERS M 4X8	IX2POEL004008	20
58	VITE POELIERS M 4X12	IX2POEL004012	20
59	VITE TCSU ANTICONTRAF. M 6X12	IX2TCSU006012	5
70	MOSTRINA COP.FORO PROT.TERM TC POL	LF1430500010	1
71	DADO AUTOBLOCC. ES DIN 982 M8 ALTO	IX2982008	10
72	SUPPORTO SCATOLELET TC VERT USA	LF2034696	1
73	VITE TCEI DIN 912 M 8X18	IX2912008018	10
74	CARTER POST. TC 42 VERT USA	LF2034685	1
75	CARENA INOX TC VERT USA	LF2034680	1
76	COPERCHIO CARENA IX CE TC 42 VERT	LF2034684	1
77	RUBBER STOPPER MEAT TRAY	LF1438401	5