

08/2015

# Mod: TS8

Production code: FTSM101



**Diamond**  
catering equipment

**SCHEDE ELETTRONICHE  
ELECTRONIC CARDS  
FICHAS ELECTRÓNICAS  
FICHES ELECTRONIQUES  
LEITERPLATTEN  
ЭЛЕКТРОННЫЕ СХЕМЫ**

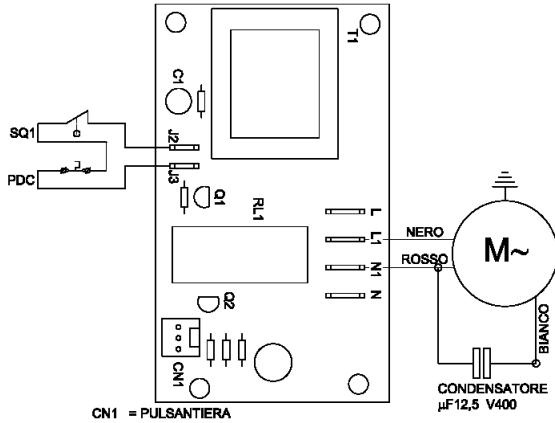
**TG 8 / TGI 8 / GM (1 N PE AC 230V 50Hz)**

TCGR2

PDC = protezione termica  
SQ1 = micro interruttore  
C = condensatore 12,5  $\mu$ F  
7-8-11 = motore  
5-6 = 2 AC 230V 50Hz  
L1-N1 = motore  
L-N = 2 AC 230V 50Hz

PDC = thermal protection  
SQ1 = micro switch  
C = condenser 12,5  $\mu$ F  
7-8-11 = motor  
5-6 = 2 AC 230V 50Hz  
L1-N1 = motor  
L-N = 2 AC 230V 50Hz

PDC = protección térmica  
SQ1 = micro interruptor  
C = condensador 12,5  $\mu$ F  
7-8-11 = motor  
5-6 = 2 AC 230V 50Hz  
L1-N1 = motor  
L-N = 2 AC 230V 50Hz

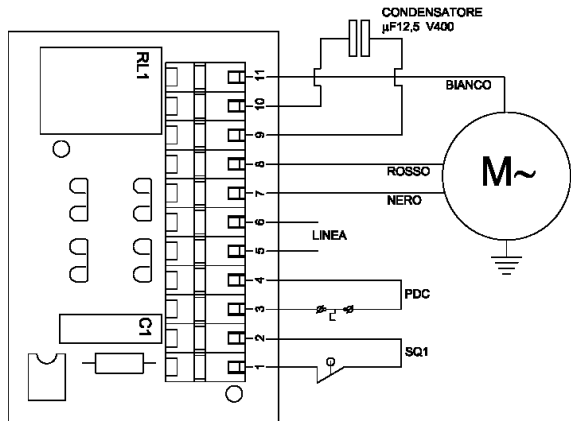


PDC = protection thermique  
SQ1 = micro-interrupteur  
C = condensateur 12,5  $\mu$ F  
7-8-11 = moteur  
5-6 = 2 AC 230V 50Hz  
L1-N1 = moteur  
L-N = 2 AC 230V 50Hz

PDC = Thermoschutzschalter  
SQ1 = Mikroschalter  
C = Kondensator 12,5  $\mu$ F  
7-8-11 = Motor  
5-6 = 2 AC 230V 50Hz  
L1-N1 = Motor  
L-N = 2 AC 230V 50Hz

PDC = термическая защита  
SQ1 = микровыключатель  
C = конденсатор 12,5  $\mu$ F  
7-8-11 = мотор  
5-6 = 2 AC 230V 50Hz  
L1-N1 = мотор  
L-N = 2 AC 230V 50Hz

FGM113-N



TS 8/ TI 8 (1 N PE AC 230V 50Hz)

TCGR2

PDC = protezione termica  
 C = condensatore 12,5  $\mu$ F  
 L1-N1 = motore  
 L-N = 2 AC 230V 50Hz

PDC = thermal protection  
 C = condenser 12,5  $\mu$ F  
 L1-N1 = motor  
 L-N = 2 AC 230V 50Hz

PDC = protección térmica  
 C = condensador 12,5  $\mu$ F  
 L1-N1 = motor  
 L-N = 2 AC 230V 50Hz

PDC = protection thermique  
 C = condensateur 12,5  $\mu$ F  
 L1-N1 = moteur  
 L-N = 2 AC 230V 50Hz

PDC = Thermoschutzschalter  
 C = Kondensator 12,5  $\mu$ F  
 L1-N1 = Motor  
 L-N = 2 AC 230V 50Hz

PDC = термическая защита  
 C = конденсатор 12,5  $\mu$ F  
 L1-N1 = мотор  
 L-N = 2 AC 230V 50Hz

