

08/2015

# Mod: TS12

Production code: TFTS107



**Diamond**  
catering equipment

SCHEDE ELETTRICHE  
ELECTRONIC CARDS  
FICHAS ELECTRONICAS  
FICHES ELECTRONIQUES  
LEITERPLATTEN  
ЭЛЕКТРОННЫЕ СХЕМЫ

T.. 12 / T.. 22 (1N PE AC 230V 50Hz)

PE = conduttore di terra  
PDC = protezione termica  
W1 = ponte  
S2 = pulsante di stop  
S1 = pulsante di start  
F = fusibile 500mA  
C = condensatore  
2-3 = motore  
1-4 = 2 AC 230V 50Hz  
L1-N1 = motore  
L-N = 2 AC 230V 50Hz

PE = ground conductor  
PDC = thermal protection  
W1 = bridge  
S2 = stop button  
S1 = start button  
F = fuse 500mA  
C = condenser  
2-3 = motor  
1-4 = 2 AC 230V 50Hz  
L1-N1 = motor  
L-N = 2 AC 230V 50Hz

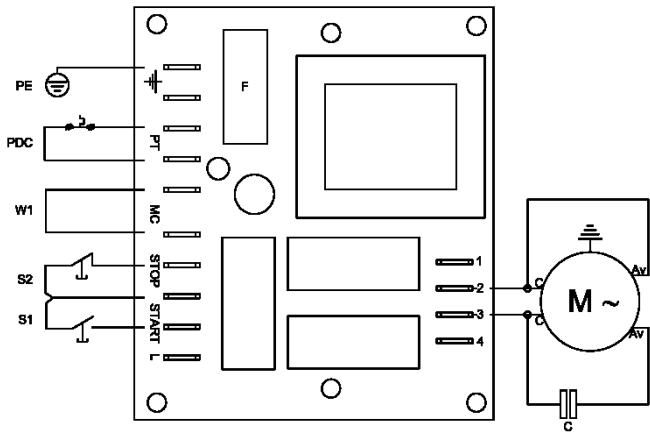
PE = conductor de tierra  
PDC = protección térmica  
SQ1 = micro interruptor  
S2 = botón de stop  
S1 = botón de start  
F = fusible 500mA  
C = condensador  
2-3 = motor  
1-4 = 2 AC 230V 50Hz  
L1-N1 = motor  
L-N = 2 AC 230V 50Hz

PE = conducteur de terre  
PDC = protection thermique  
W1 = pont  
S2 = poussoir de stop  
S1 = poussoir de start  
F = fusible 500mA  
C = condensateur  
2-3 = moteur  
1-4 = 2 AC 230V 50Hz  
L1-N1 = moteur  
L-N = 2 AC 230V 50Hz

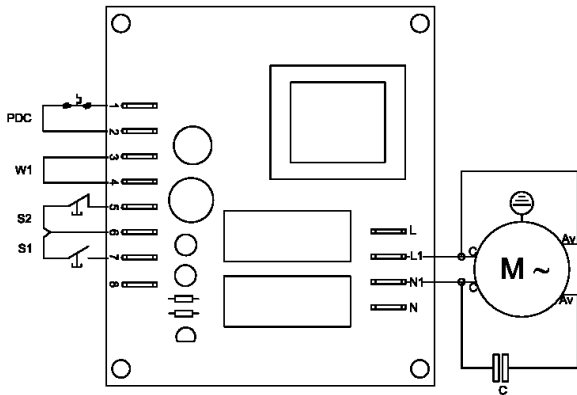
PE = erdungsleiter  
PDC = thermoschutzschalter  
W1 = brücke  
S2 = stopp-taste  
S1 = start-taste  
F = sicherung 500mA  
C = kondensator  
2-3 = motor  
1-4 = 2 AC 230V 50Hz  
L1-N1 = motor  
L-N = 2 AC 230V 50Hz

PE = заземляющий провод  
PDC = термическая защита  
W1 = мост  
S2 = кнопка стоп  
S1 = кнопка старт  
F = предохранитель 500m  
C = конденсатор  
2-3 = мотор  
1-4 = 2 AC 230V 50Hz  
L1-N1 = мотор  
L-N = 2 AC 230V 50H

**AZP – TGFM02**



**PTM02**

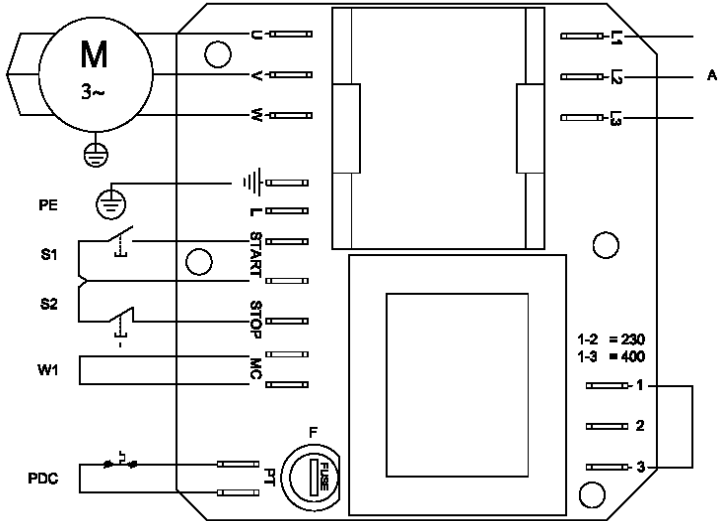


U - V - W = motore  
 PE = conduttore di terra  
 S1 = pulsante di start  
 S2 = pulsante di stop  
 W1 = ponte  
 PDC = protezione termica  
 F = fusibile 500mA  
 A = 3 AC 400V 50Hz  
 1-3 = alimentazione 400V  
 1-2 = alimentazione 230V  
 B = alimentazione 400V  
 C = alimentazione 230V

U - V - W = motor  
 PE = ground conductor  
 S1 = start button  
 S2 = stop button  
 W1 = bridge  
 PDC = thermal protection  
 F = fuse 500mA  
 A = 3 AC 400V 50Hz  
 1-3 = feeding 400V  
 1-2 = feeding 230V  
 B = feeding 400V  
 C = feeding 230V

U - V - W = motor  
 PE = conductor de tierra  
 S1 = botón de start  
 S2 = botón de stop  
 SQ1 = micro interruptor  
 PDC = protección térmica  
 F = fusible 500mA  
 A = 3 AC 400V 50Hz  
 1-3 = alimentación 400V  
 1-2 = alimentación 230V  
 B = alimentación 400V  
 C = alimentación 230V

SR978 - SR1078 - TGM8

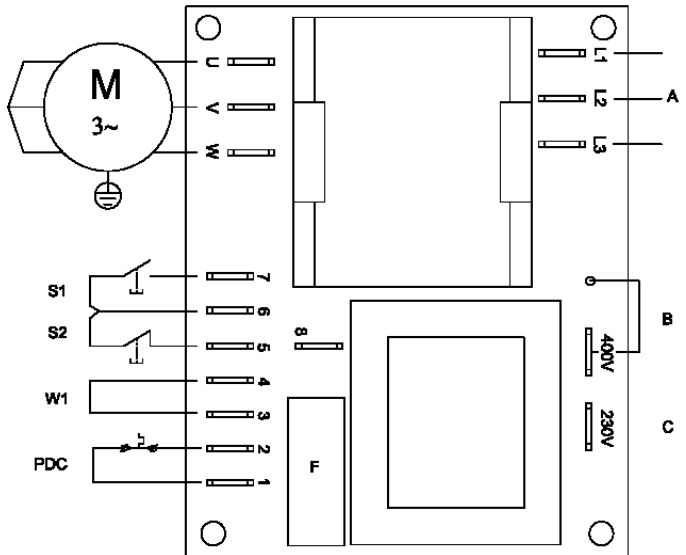


U - V - W = moteur  
 PE = conducteur de terre  
 S1 = poussoir de start  
 S2 = poussoir de stop  
 W1 = pont  
 PDC = protection thermique  
 F = fusible 500mA  
 A = 3 AC 400V 50Hz  
 1-3 = alimentation 400V  
 1-2 = alimentation 230V  
 B = alimentation 400V  
 C = alimentation 230V

U - V - W = motor  
 PE = erdungsleiter  
 S1 = start-taste  
 S2 = stopp-taste  
 W1 = brücke  
 PDC = thermoschutzschalter  
 F = sicherung 500mA  
 A = 3 AC 400V 50Hz  
 1-3 = speisung 400V  
 1-2 = speisung 230V  
 B = speisung 400V  
 C = speisung 230V

U - V - W = мотор  
 PE = заземляющий провод  
 S1 = кнопка старт  
 S2 = кнопка стоп  
 W1 = мост  
 PDC = термическая защита  
 F = предохранитель 500mA  
 A = 3 AC 400V 50Hz  
 1-3 = питание 400V  
 1-2 = питание 230V  
 B = питание 400V  
 C = питание 230V

PTF04



PE = conduttore di terra  
 A = 2 AC 230V 50Hz  
 PDC = protezione termica  
 W1 = ponte  
 S1= pulsante indietro  
 S2 = pulsante avanti  
 S3 = pulsante stop  
 C = condensatore

PE = ground conductor  
 A = 2 AC 230V 50Hz  
 PDC = thermal protection  
 W1 = bridge  
 S1= back button  
 S2 = forward button  
 S3 = stop button  
 C = condenser

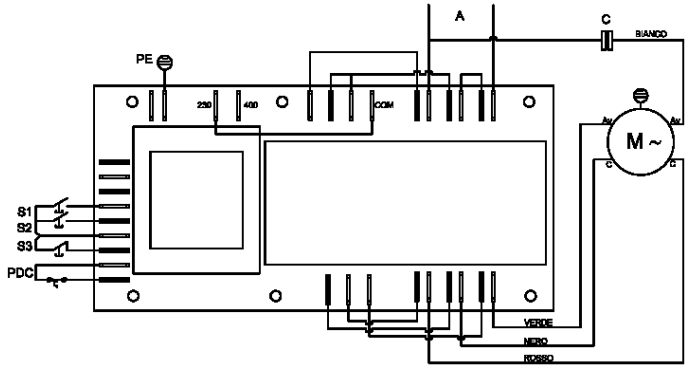
PE = conductor de tierra  
 A = 2 AC 230V 50Hz  
 PDC = protección térmica  
 W1 = puente  
 S1 = botón atrás  
 S2 = botón adelante  
 S3 = botón stop  
 C = condensador

PE = conducteur de terre  
 A = 2 AC 230V 50Hz  
 PDC = protection thermique  
 W1 = pont  
 S1= poussoir en arrière  
 S2 = poussoir en avant  
 S3 = poussoir stop  
 C = condensateur

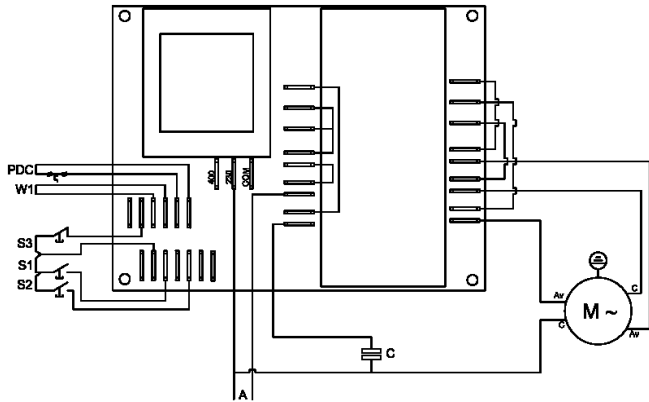
PE = erdungsleiter  
 A = 2 AC 230V 50Hz  
 PDC = thermoschutzschalter  
 W1 = brücke  
 S1= taste zurück  
 S2 = taste vor  
 S3 = taste stopp  
 C = kondensator

PE = заземляющий провод  
 A = 2 AC 230V 50Hz  
 PDC = термическая защита  
 W1 = мост  
 S1= кнопка назад  
 S2 = кнопка вперед  
 S3 = кнопка стоп  
 C = конденсатор

TGM3 230V



ITR-S-2 230V



T.. 32 (3Ph PE AC 400V 50Hz)

PE = conduttore di terra  
 A = 3 AC 400V 50Hz  
 PDC= protezione termica  
 W1 = ponte  
 S1= pulsante indietro  
 S2 = pulsante avanti  
 S3 = pulsante stop

PE = ground conductor  
 A = 3 AC 400V 50Hz  
 PDC= thermal protection  
 W1 = bridge  
 S1= back button  
 S2 = forward button  
 S3 = stop button

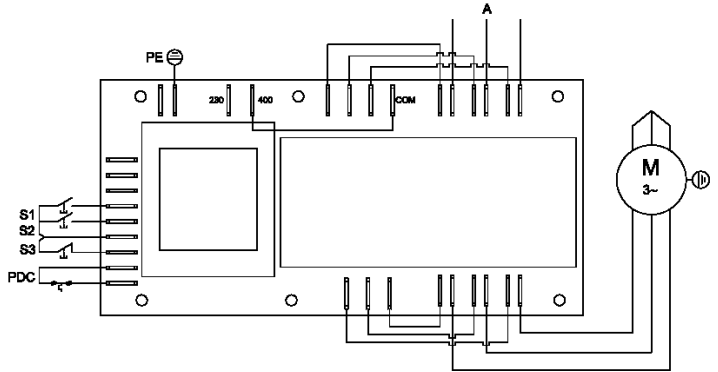
PE = conductor de tierra  
 A = 2 AC 230V 50Hz  
 PDC= protección térmica  
 W1 = puente  
 S1 = botón atrás  
 S2 = botón adelante  
 S3 = botón stop

PE = conducteur de terre  
 A = 3 AC 400V 50Hz  
 PDC= protection thermique  
 W1 = pont  
 S1= poussoir en arrière  
 S2 = poussoir en avant  
 S3 = poussoir stop

PE = erdungsleiter  
 A = 3 AC 400V 50Hz  
 PDC=thermoschutzschalter  
 W1 = brücke  
 S1= taste zurück  
 S2 = taste vor  
 S3 = taste stopp

PE = заземляющий провод  
 A = 3 AC 400V 50Hz  
 PDC= термическая защита  
 W1 = мост  
 S1= кнопка назад  
 S2 = кнопка вперед  
 S3 = кнопка стоп

TGM3 400V



ITR-S-2 400V

