

01/2015

Mod: TM-10H

Production code: TM-10H (TQ-10)



Diamond
catering equipment

TO AST-QWIK® ELECTRIC CONVEYOR TOASTERS

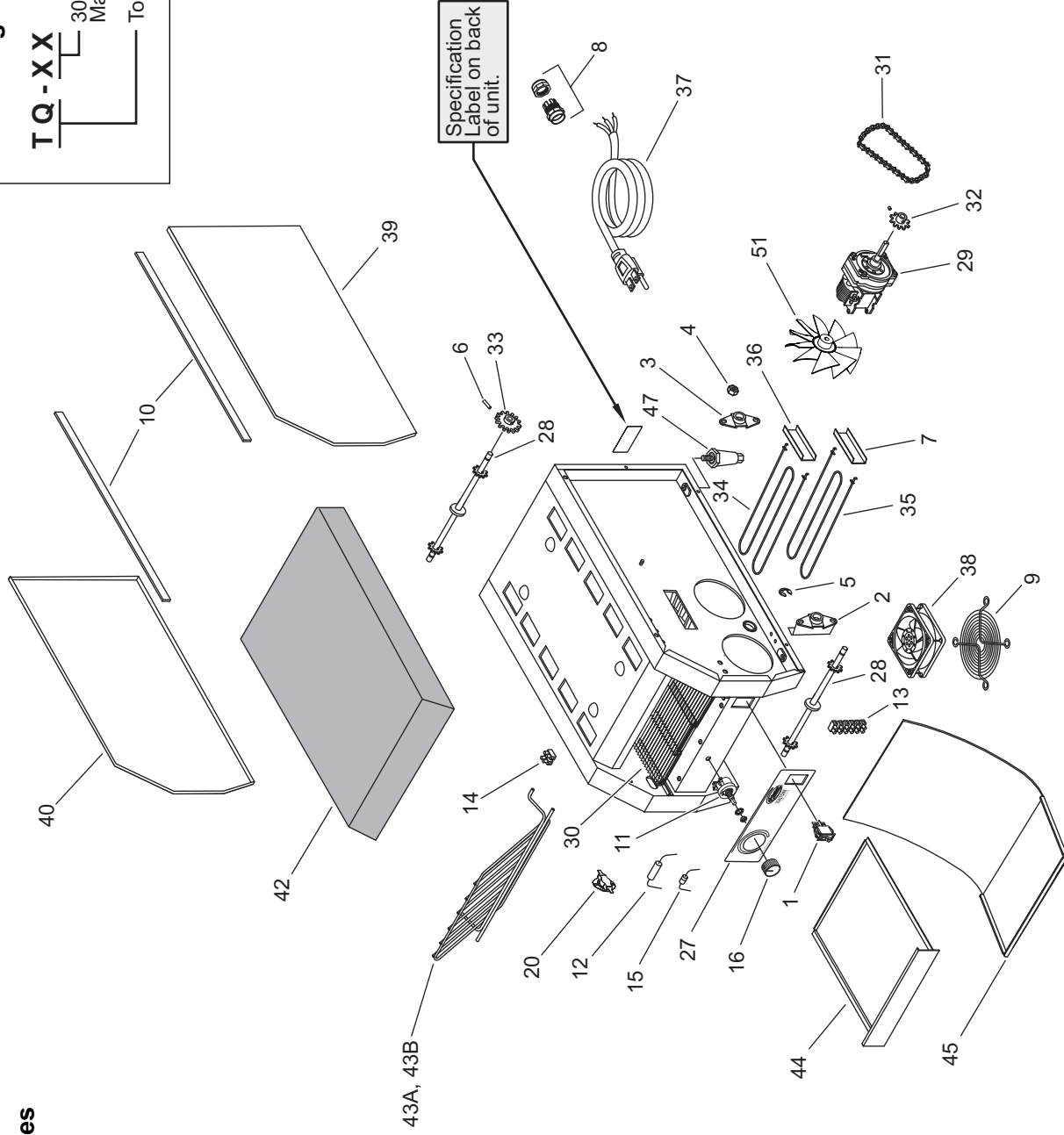
TQ-10, -15, TC-DON Series

Model Designation

T Q - X X

300 Slices per Hour
Maximum

Toast Qwik



PARTS COMMON TO ALL TQ-10, -15, -400, -405, -800, -805, -1200, -1800, and TC-DON MODELS

| ITEM | DESCRIPTION | PART NO. | QTY. | ITEM | DESCRIPTION | PART NO. | QTY. |
|------|----------------------|--------------|------|------|------------------------|---------------|--------|
| 1 | On/Off Switch ◆ | 02.19.161.00 | 1-2 | 6 | Spring Pin | 05.08.006.00 | 1 |
| 2 | Bearing with Bracket | 04.05.286.00 | 2 | 7 | Bracket, Lower Element | 04.05.336.00 | 1-2 |
| 3 | Bearing with Nuts | 04.05.387.00 | 2 | 8 | Cord Grip | R02.20.259.00 | 1 |
| 4 | Keys Nut | 05.04.023.00 | 4 | 9 | Fan Guard | 02.12.063.00 | 1 |
| 5 | Retaining Ring | 05.11.035.00 | 2 | 10 | Gasket | 05.06.028.00 | 3 Feet |

◆ TQ-10 and TQ-15 models manufactured after August 1, 2003 use two On/Off switches; one for the top heat circuit and one for the bottom heat circuit.

PARTS SPECIFIC TO MODEL TQ-10

| Item | Description | 120V 60 Hz | 208V 60 Hz | 240V 60 Hz | 200V 50/60 Hz | 220V 50 Hz | 220V 60 Hz | 240V 50 Hz | 220-230V CE 50 Hz | 230-240V CE 50 Hz |
|------|--------------------------------|---------------|---------------|---------------|------------------|---------------|---------------|---------------|----------------------|----------------------|
| 11 | Speed Control - Rheostat † | R02.13.111.00 | R02.13.111.00 | R02.13.125.00 | R02.13.125.00 | --- | --- | --- | R02.13.125.00 | R02.13.125.00 |
| 12 | Resistor - 100 Ohm | --- | --- | --- | --- | --- | --- | --- | 02.13.325.00 | 02.13.325.00 |
| 13 | Terminal Block - 6 Pole | 02.15.034.00 | 02.15.034.00 | 02.15.034.00 | 02.15.034.00 | --- | --- | --- | 02.15.034.00 | 02.15.034.00 |
| 14 | Terminal Block - 2 Pole | R02.15.045.00 | R02.15.045.00 | R02.15.045.00 | R02.15.045.00 | --- | --- | --- | R02.15.045.00 | R02.15.045.00 |
| 15 | Diode | 02.40.002.00 | 02.40.002.00 | 02.40.002.00 | 02.40.002.00 | --- | --- | --- | 02.40.002.00 | 02.40.002.00 |
| 16 | Knob, Color Control | 05.30.020.00 | 05.30.020.00 | 05.30.020.00 | 05.30.020.00 | --- | --- | --- | 05.30.020.00 | 05.30.020.00 |
| 20 | High Limit - T-Stat - Sidewall | 02.16.186.00 | 02.16.186.00 | 02.16.186.00 | 02.16.186.00 | --- | --- | --- | 02.16.186.00 | 02.16.186.00 |
| 27 | Decal - Control Plate ■ | 07.01.280.00 | 07.01.280.00 | 07.01.280.00 | 07.01.280.00 | --- | --- | --- | 07.01.280.00 | 07.01.280.00 |
| 28 | Shaft Assembly (Qty 2) | 04.05.386.00 | 04.05.386.00 | 04.05.386.00 | 04.05.386.00 | --- | --- | --- | 04.05.386.00 | 04.05.386.00 |
| 29 | Gearmotor, Conveyor ‡ | 02.12.101.00 | 02.12.076.00 | 02.12.077.00 | 05.03.036.00 | --- | --- | --- | 02.12.079.00 | 02.12.079.00 |
| 30 | Conveyor Belt | 05.03.036.00 | 05.03.036.00 | 05.03.036.00 | 05.03.036.00 | --- | --- | --- | 05.03.036.00 | 05.03.036.00 |
| 31 | Drive Chain | 05.03.037.00 | 05.03.037.00 | 05.03.037.00 | 05.03.037.00 | --- | --- | --- | 05.03.037.00 | 05.03.037.00 |
| 32 | Sprocket, Motor | 05.09.027.00 | 05.09.027.00 | 05.09.027.00 | 05.09.025.00 | --- | --- | --- | 05.09.028.00 | 05.09.025.00 |
| 33 | Sprocket, Conveyor | 05.09.045.00 | 05.09.045.00 | 05.09.045.00 | 05.09.030.00 | --- | --- | --- | 05.09.045.00 | 05.09.045.00 |
| 34 | Heating Element | --- | --- | --- | --- | --- | --- | --- | --- | --- |
| 35 | Quantity: 2 | 02.09.253.00 | 02.09.244.00 | 02.09.247.00 | 02.09.245.00 | --- | --- | --- | 02.09.251.00 | 02.09.251.00 |
| 36 | Bracket - Upper Element | --- | --- | --- | --- | --- | --- | --- | --- | --- |
| 37 | Power Cord and Plug | 04.05.335.00 | 04.05.335.00 | 04.05.335.00 | 04.05.335.00 | --- | --- | --- | 04.05.335.00 | 04.05.335.00 |
| 38 | Circulation Fan | R02.18.154.00 | 02.18.036.00 | 02.18.036.00 | 02.18.104.00 | --- | --- | --- | 02.18.038.00 | 02.18.038.00 |
| 39 | Side Panel, R.H. | 02.12.030.00 | 02.12.039.00 | 02.12.039.00 | 02.12.039.00 | --- | --- | --- | 02.12.039.00 | 02.12.039.00 |
| 40 | Side Panel, L.H. | 04.05.329.00 | 04.05.329.00 | 04.05.329.00 | 04.05.329.00 | --- | --- | --- | 04.05.329.00 | 04.05.329.00 |
| 42 | Cover, Top - Black | 04.05.338.00 | 04.05.338.00 | 04.05.338.00 | 04.05.338.00 | --- | --- | --- | 04.05.338.00 | 04.05.338.00 |
| 43A | Feed Ramp - Standard | 04.05.379.00 | 04.05.379.00 | 04.05.379.00 | 04.05.379.00 | --- | --- | --- | 04.05.379.00 | 04.05.379.00 |
| 43B | Feed Ramp - Extended | 04.05.337.00 | 04.05.337.00 | 04.05.337.00 | 04.05.337.00 | --- | --- | --- | 04.05.337.00 | 04.05.337.00 |
| 44 | Crumb Tray | --- | --- | --- | --- | --- | --- | --- | --- | --- |
| 45 | Toast Chute | R04.05.361.00 | R04.05.361.00 | R04.05.361.00 | R04.05.361.00 | --- | --- | --- | R04.05.361.00 | R04.05.361.00 |
| 47 | Legs, 4" (10 cm) | 04.05.363.00 | 04.05.363.00 | 04.05.363.00 | 04.05.363.00 | --- | --- | --- | 04.05.363.00 | 04.05.363.00 |
| 51 | Fan Blade | 05.30.007.00 | 05.30.007.00 | 05.30.007.00 | 05.30.007.00 | --- | --- | --- | 05.30.007.00 | 05.30.007.00 |
| | Wiring Diagram | --- | 02.12.088.01 | 02.12.088.01 | 02.12.088.01 | --- | --- | --- | 02.12.088.01 | 02.12.088.01 |
| | | 10-01-054 | 10-01-054 | 10-01-054 | 10-01-063 | --- | --- | --- | 10-01-063 | 10-01-063 |

■ Shaded areas contain information for **International models only**.

■ TQ-10 Models manufactured before August, 2003 use Control Plate Decal P/N 07.01.256.00.

† 120 V units with Date Code 1051 or earlier, use P/N R02.13.101.00.

‡ 120 V units with Date Code 1051 or earlier, use P/N 02.12.081.00.