

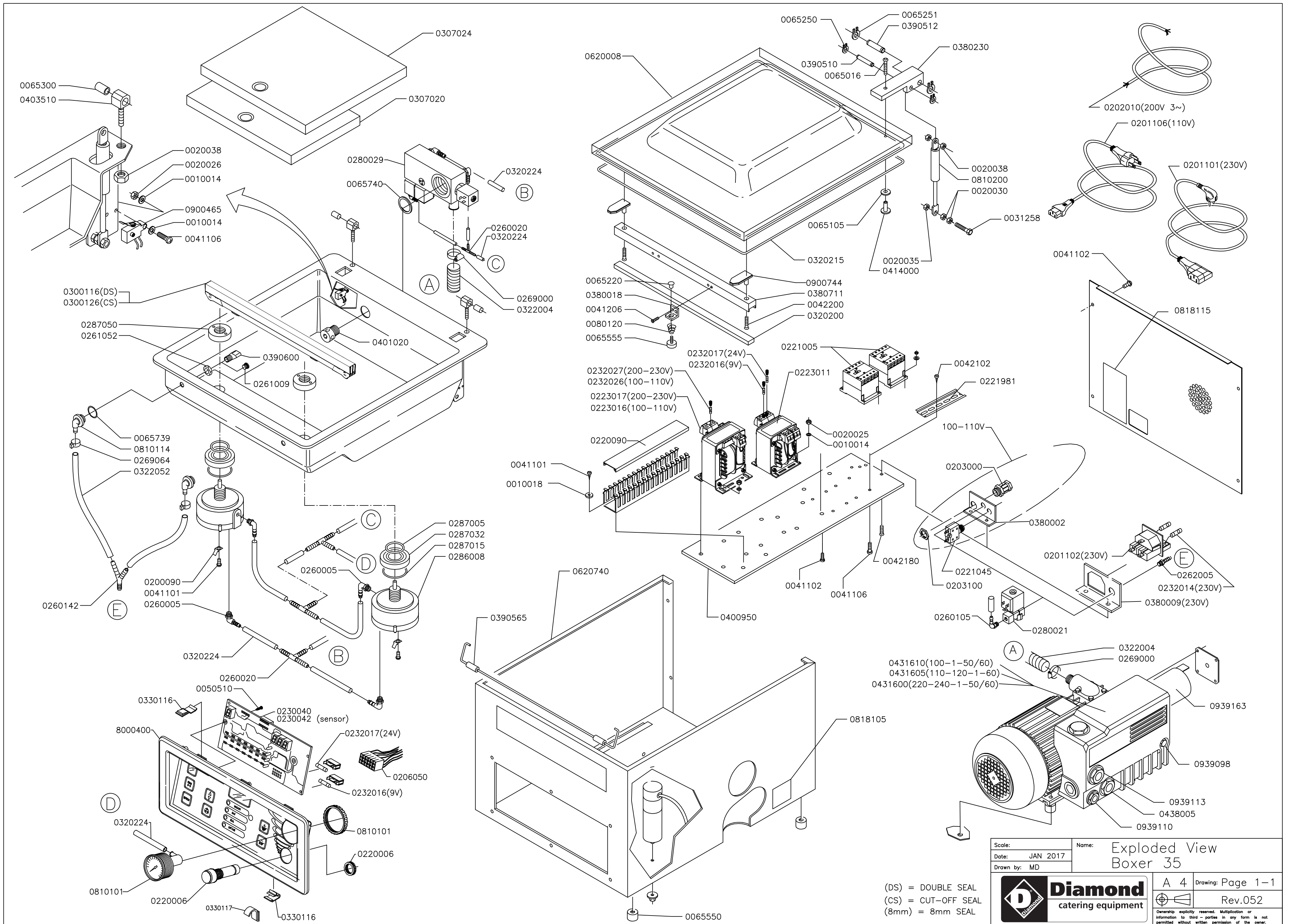
01/2018

Mod: TA-85/IVP

Production code: Boxer 35+ACS



Diamond
catering equipment



Scale:	Name:
Date: JAN 2017	Exploded View Boxer 35
Drawn by: MD	
A 4	Drawing: Page 1-1
Rev.052	
<small>Ownership explicitly reserved. Multiplication or information to third parties in any form is not permitted without written permission of the owner.</small>	

(DS) = DOUBLE SEAL
 (CS) = CUT-OFF SEAL
 (8mm) = 8mm SEAL