

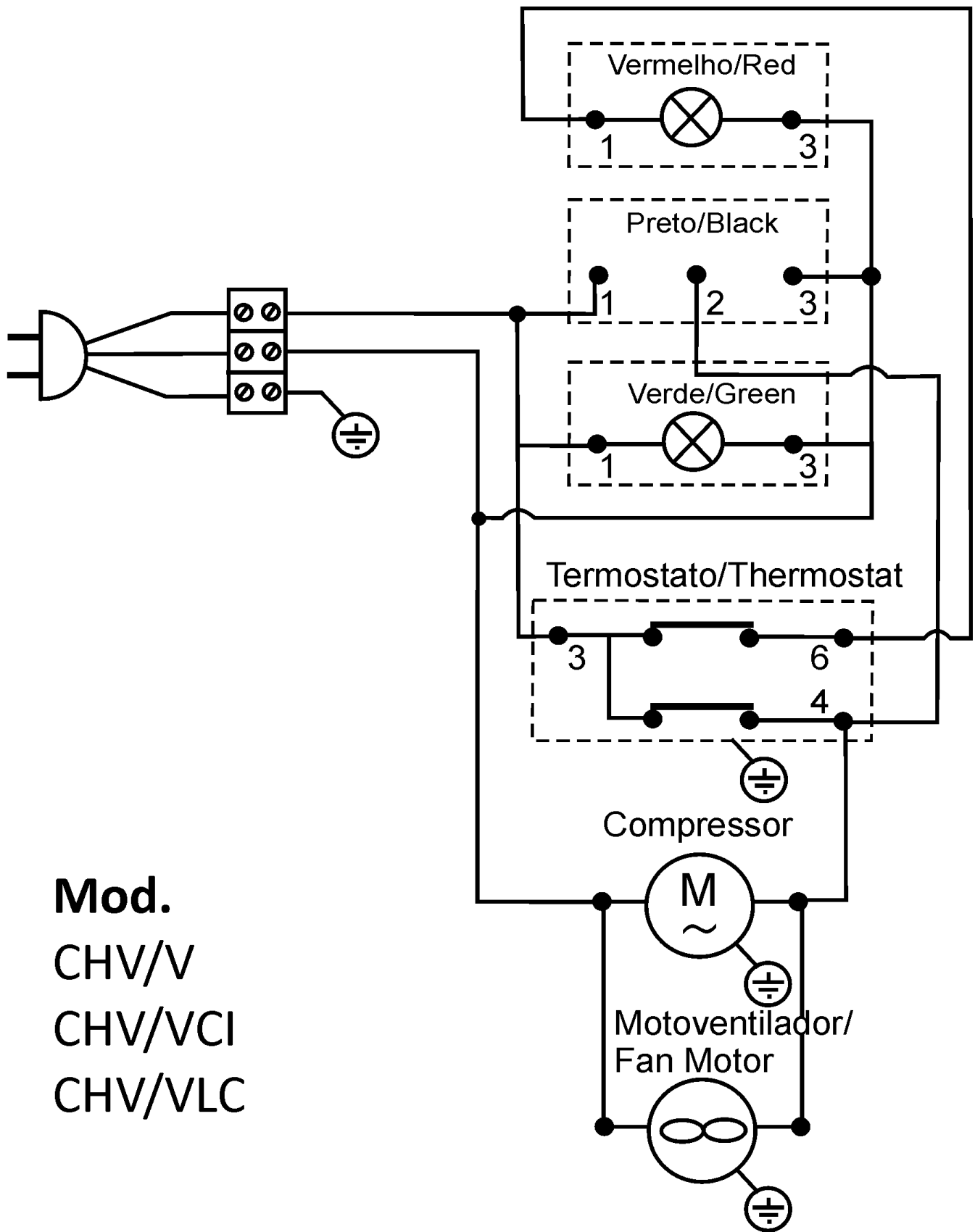
01/2019

Mod: **SLID-11-R2**

Production code: 06.01.0.BR.50.2.F.230.50 (320 CHV/VCI)



Diamond
catering equipment



Mod.

CHV/V

CHV/VCI

CHV/VLC