

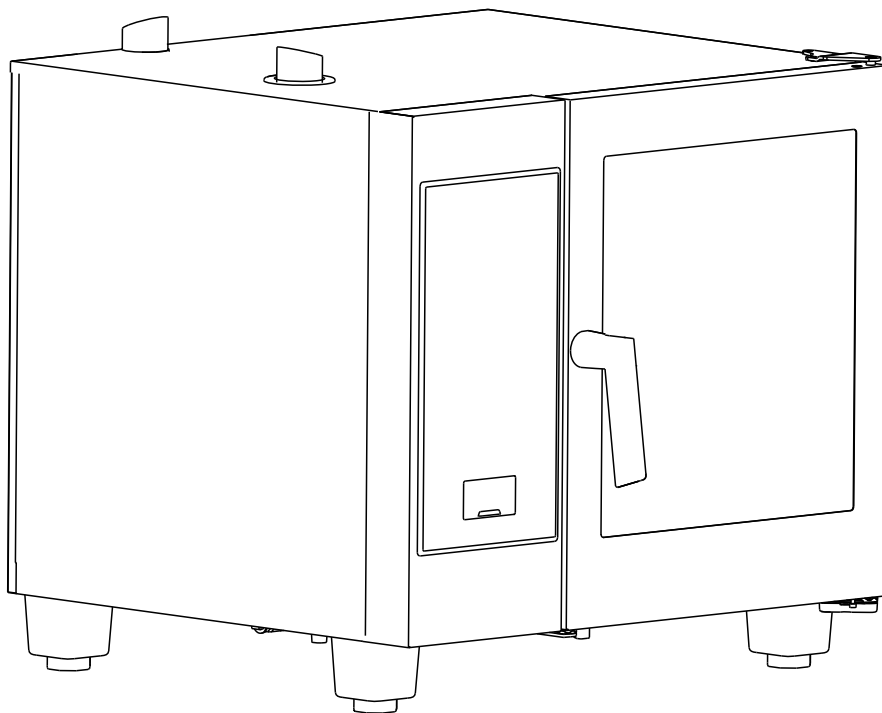
10/10/2019

Mod: SDG/XC-10

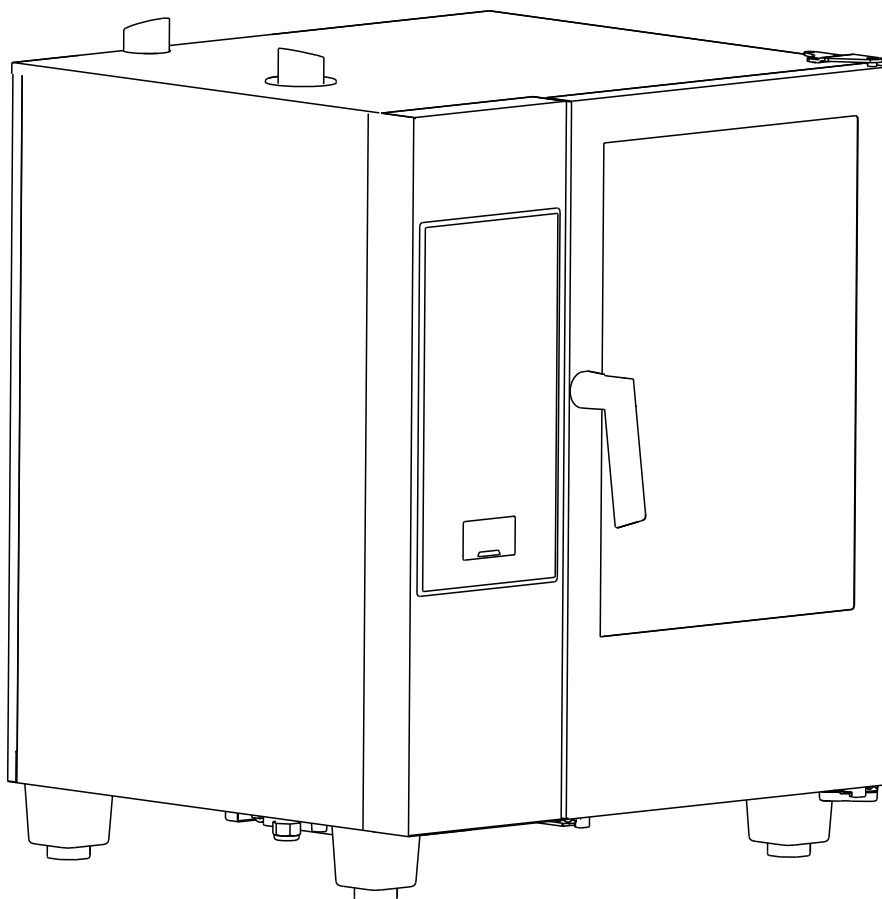
Production code: 228932

GAS OVENS

Electrical Documentation

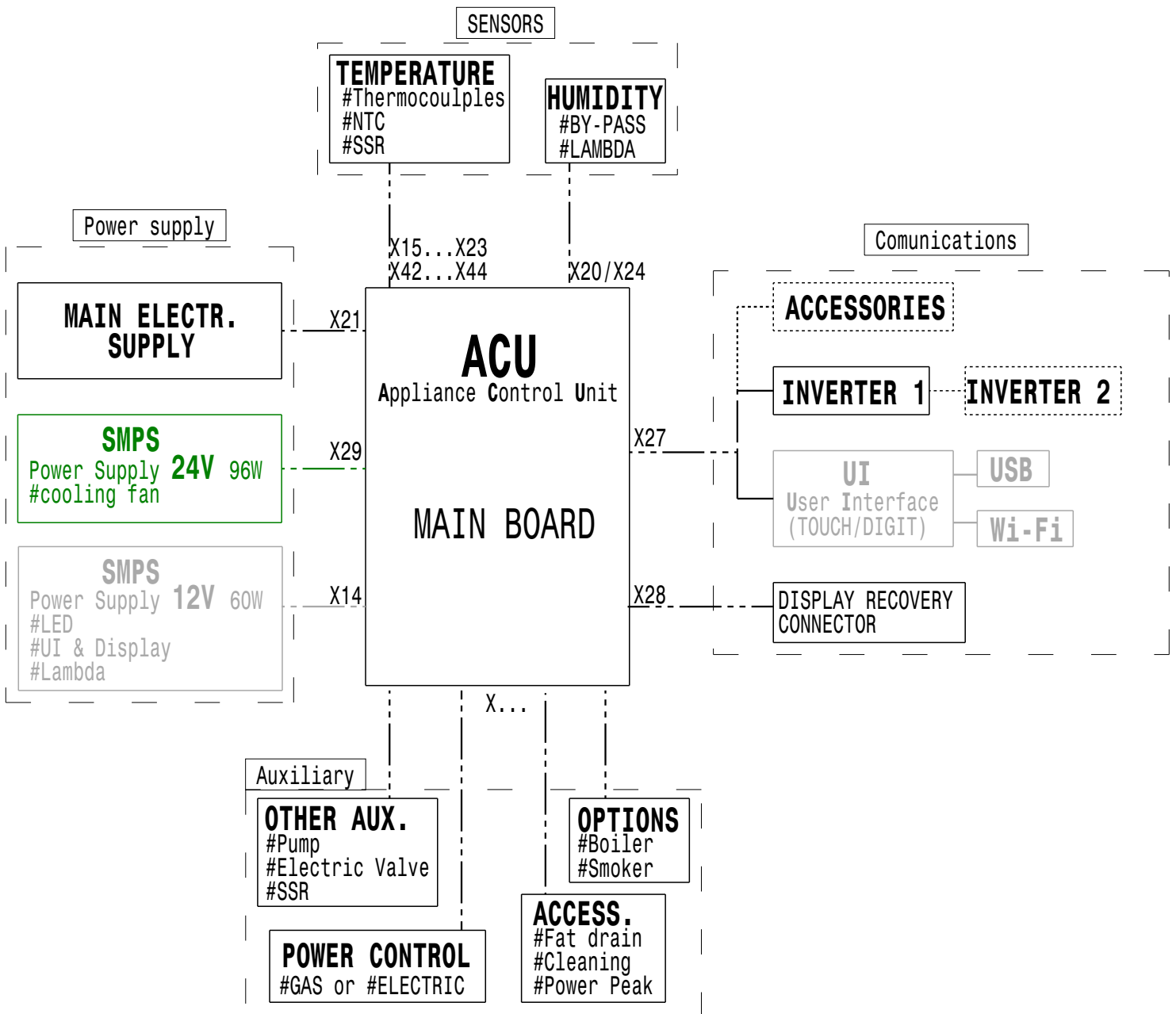


6 1/1
&
6 2/1

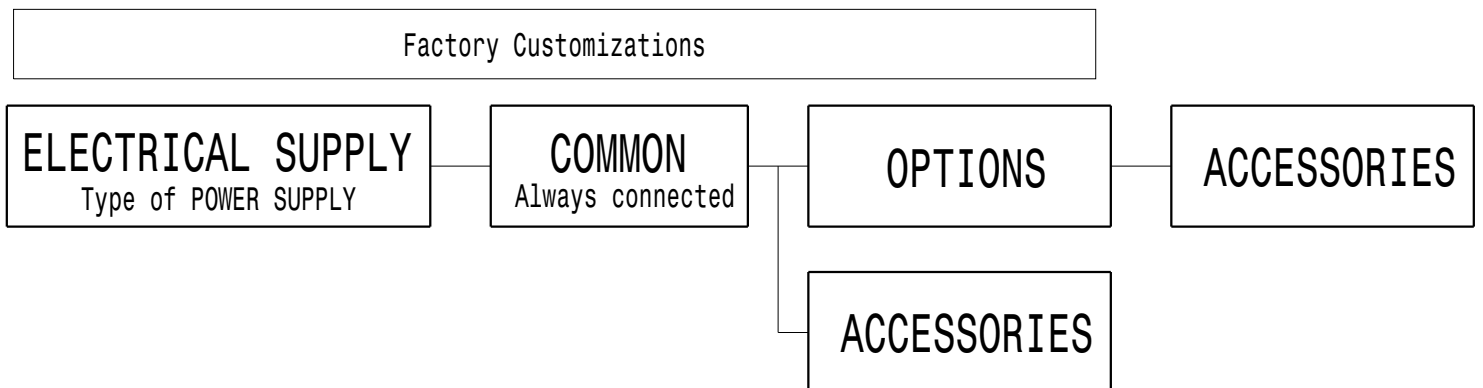


10 1/1
&
10 2/1

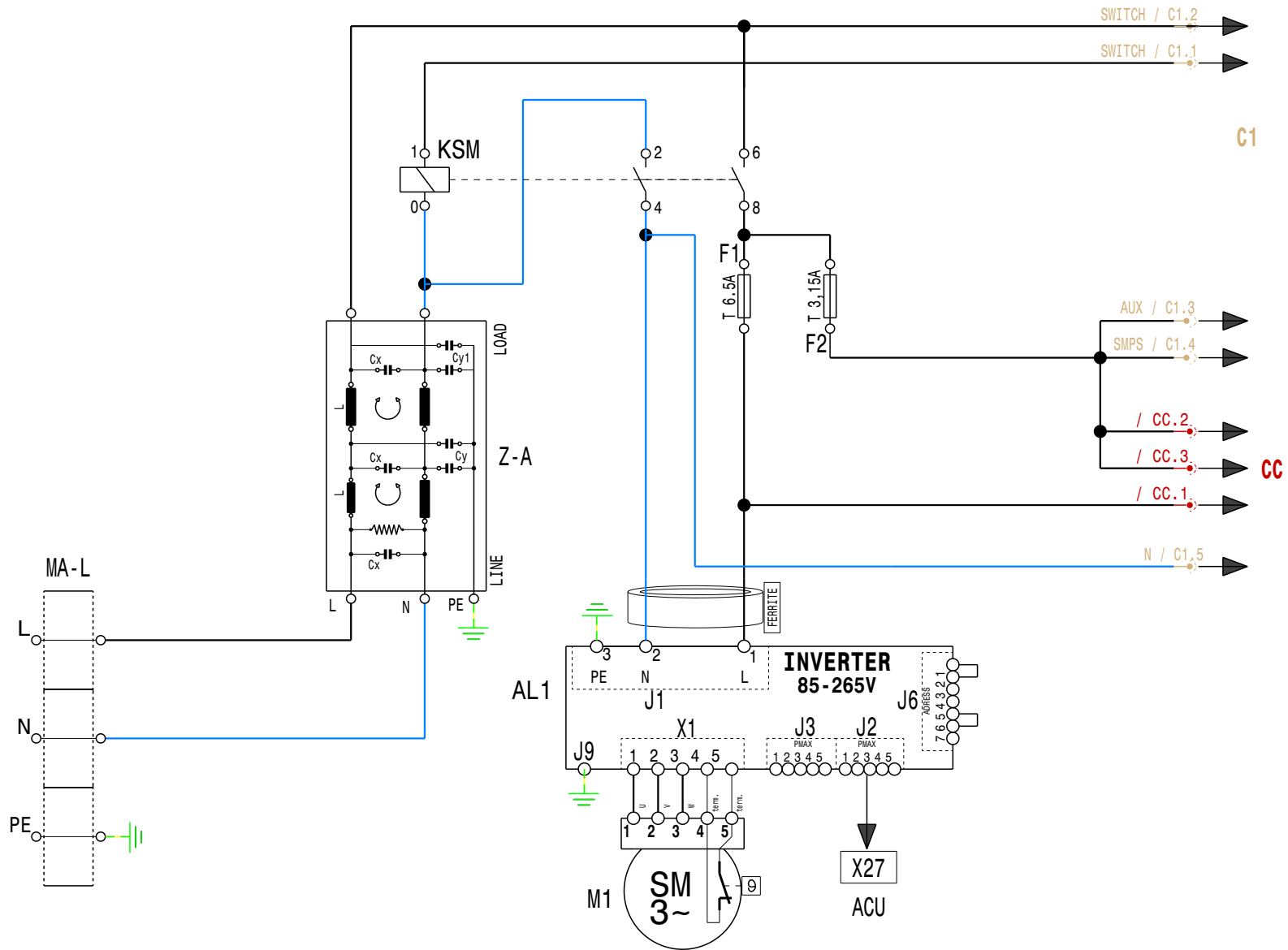
LOGIC DIAGRAM



HARNES DIAGRAM

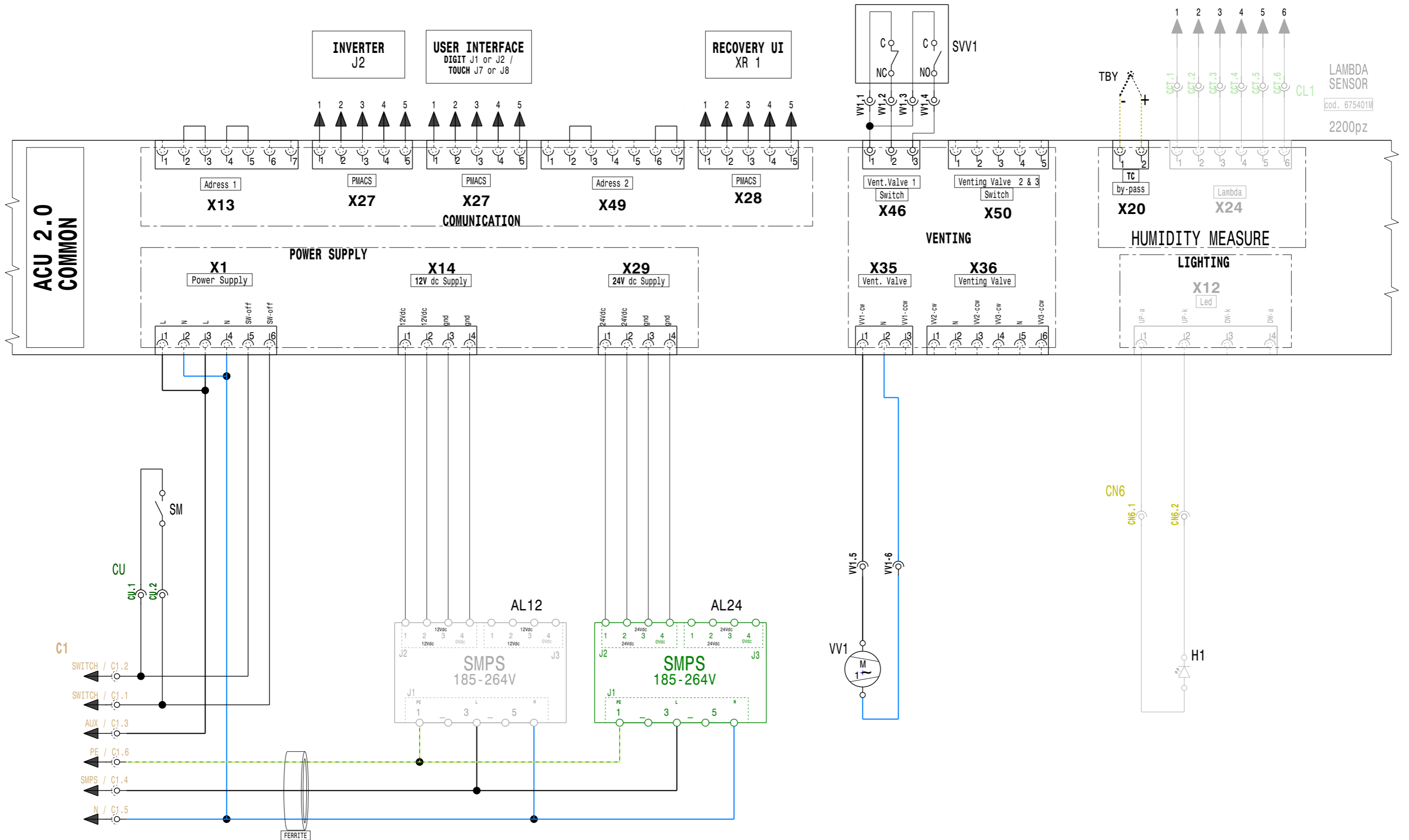


ELECTRICAL SUPPLY 230V - 1N - 50Hz "GAS"



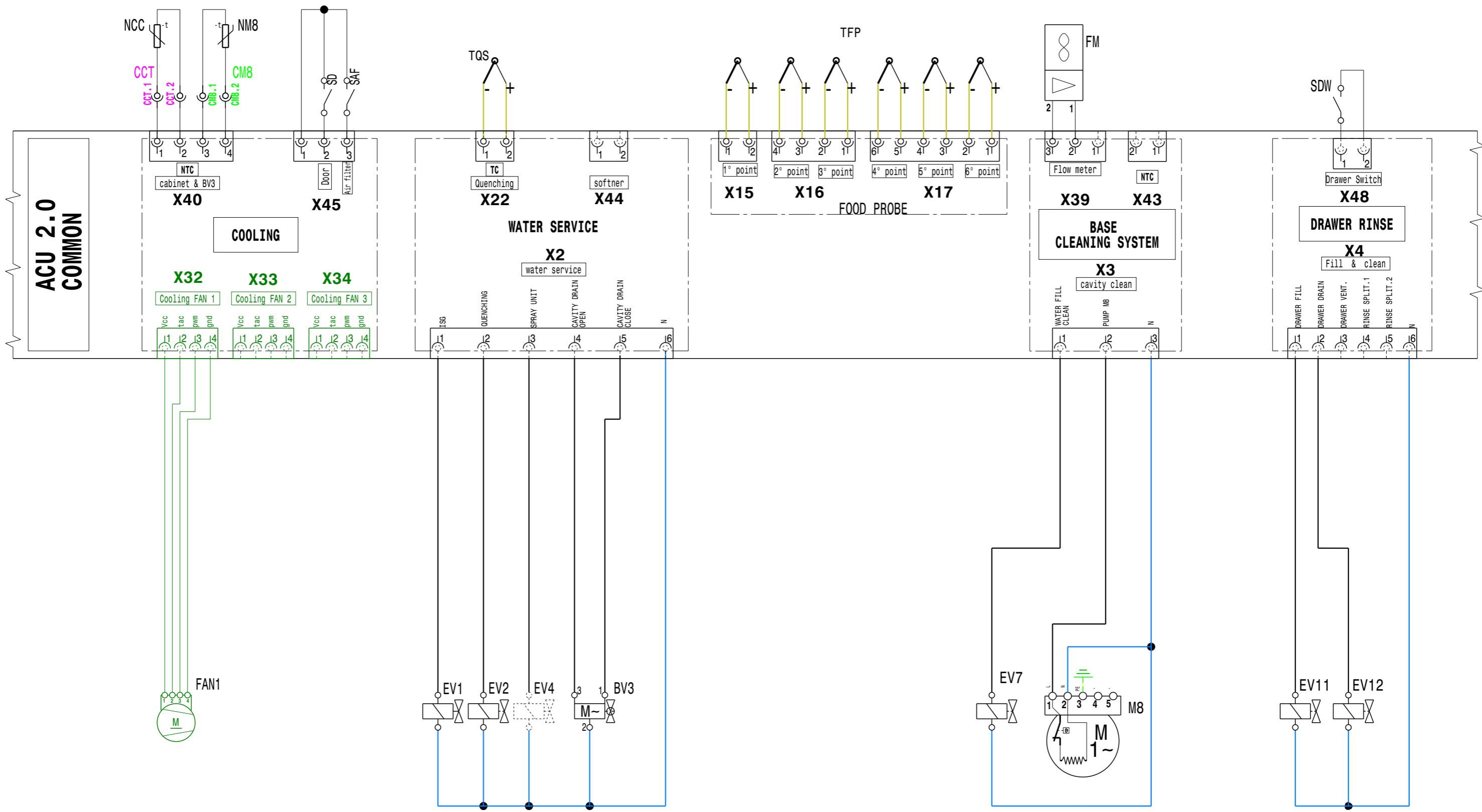
MA-L	Terminal Block	Z-A	AUX EMI FILTER	AL1	Terminal Block	F1	INVERTER FUSE	-	-	-	-
-	-	KSM	ON/OFF RELAY	M1	Terminal Block	F2	AUX FUSE	-	-	-	-
-	-	-	-	-	-	-	-	ELECTRIC DIAGRAM 6/10 "GAS" 230V 1N CKM		From S/N :	N°: 602402P00

COMMON Pg. 1/2



VV1 UPPER VENTING VALVE TBY TERMOCOUPLE BY-PASS
 SVV1 SWITCH UP VENT. VALVE H1 LED BAR

COMMON Pg. 2/2

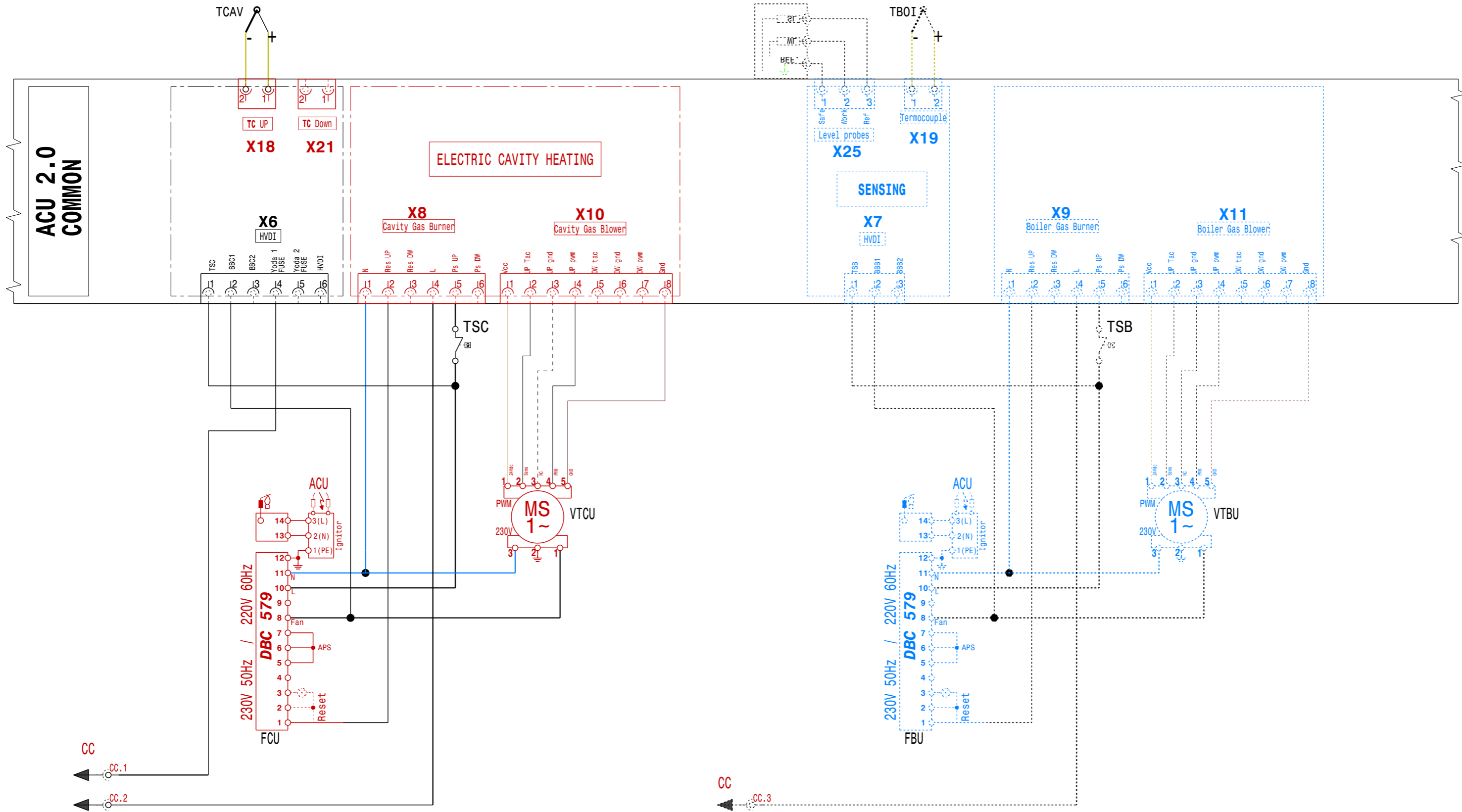


-	-	BV3 CAV.DRAIN BALL VALVE	TQS TERMOCOUP.QUENCHING	TFP FOOD PROBE	FM FLOW METER	SDW SWITCH DRAWER
FAN1 COOLING FAN (FRONT PANNEL)		EV1 HUMIDIF. ELEC. VALVE	NM8 NTC SENSOR PUMP M8	-	EV7 CLEANING WATER FILL VALVE	EV11 DRAWER FILL VALVE
-	-	EV2 QUENCH. ELEC. VALVE	NCC NTC SENSOR COMP.CABINET	SAF SWITCH AIR FILTER	M8 CLEANING PUMP	EV12 DRAWER DRAIN VALVE
-	-	EV4 SPRY UNIT ELEC. VALVE	NBV3 NTC SENSOR BV3	SD SWITCH DOOR	ELECTRIC DIAGRAM 6/10 "GAS" 230V 1N CKM	
						From S/N :
						N°: 602402P00

SPECIFIC "GAS"

GAS CONVECTION

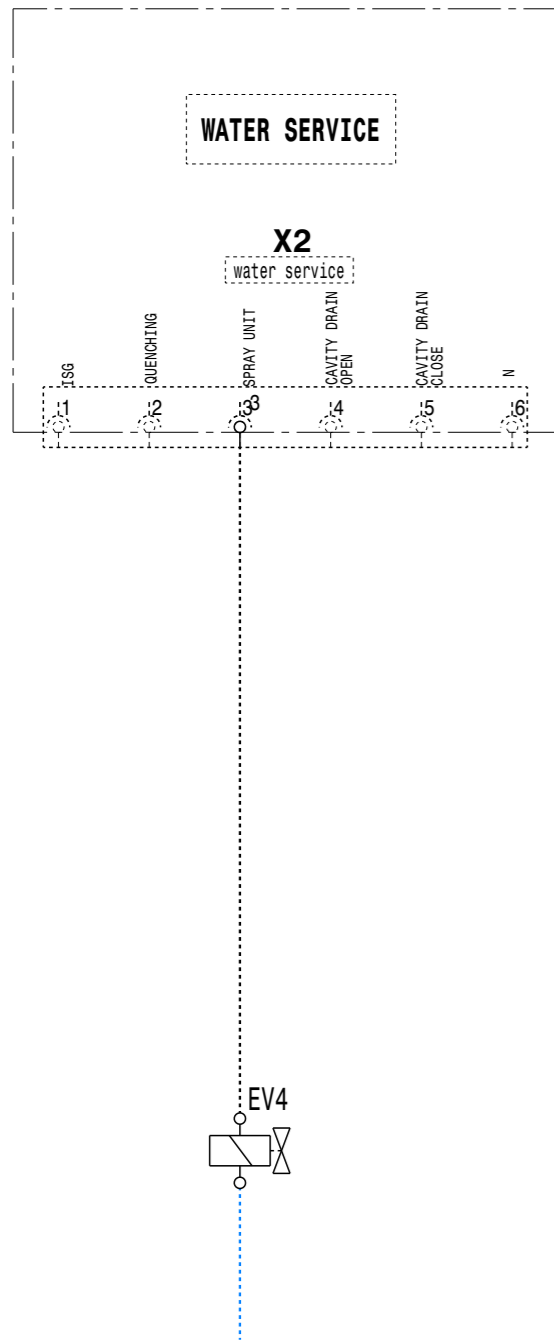
GAS BOILER (OPTION)



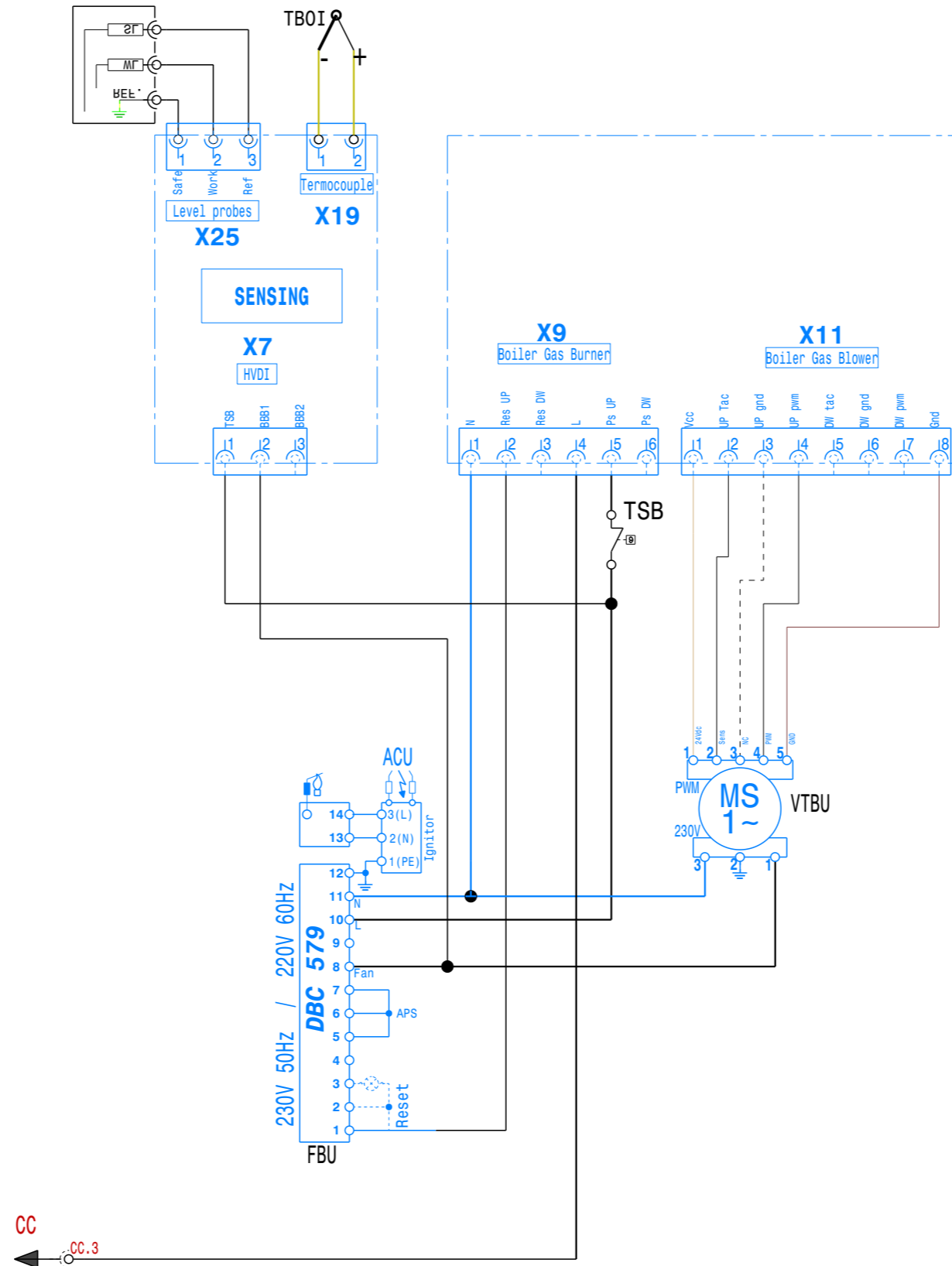
FAN1	COOLING FAN (FRONT PANNEL)	EV1	HUMIDIF. ELEC. VALVE	BV3	CAV.DRAIN BALL VALVE	TSC	CAVITY SAFETY THERMOST.	EV7	CLEANING WATER FILL VALVE	EV11	DRAWER FILL VALVE
-	-	EV2	QUENCH. ELEC. VALVE	KC1	CAVITY 1 (HALF POWER)	-	-	M8	CLEANING PUMP	EV12	DRAWER DRAIN VALVE
-	-	EV4	SPRY UNIT ELEC. VALVE	KC2	CAVITY 2 (HALF POWER)	-	-	ELECTRIC DIAGRAM 6/10 "GAS" 230V 1N CKM		From S/N :	

OPTIONS "GAS"

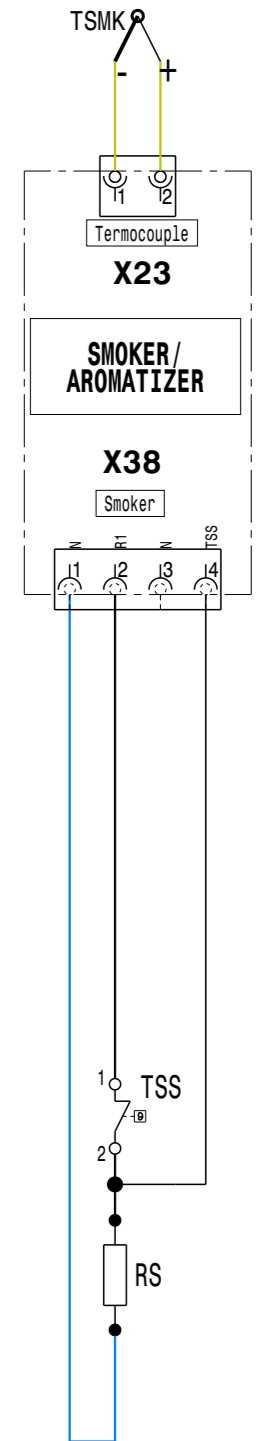
SPRY UNIT



GAS BOILER (OPTION)



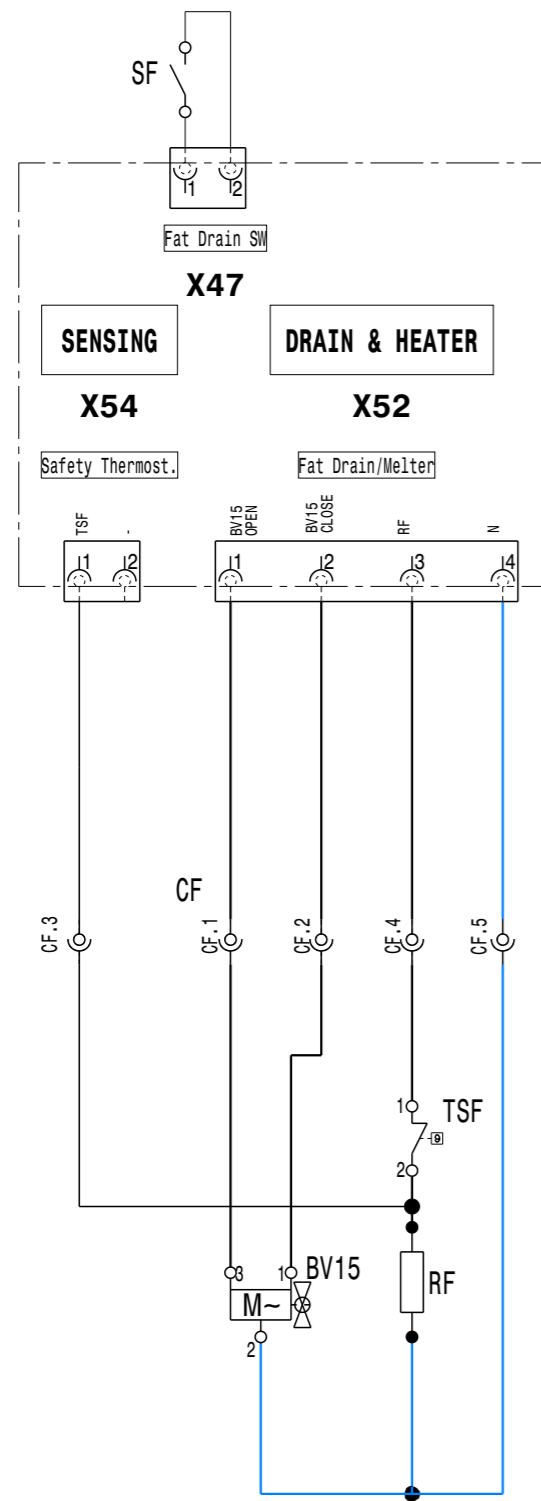
SMOKER/AROMATIZER



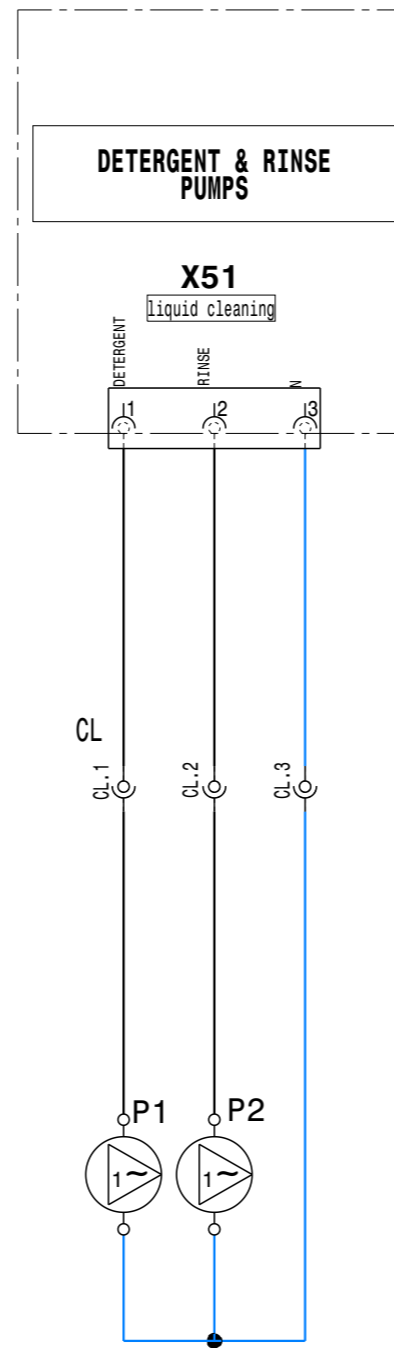
EV4	SPRAY UNIT	EV5	BOILER FILL VALVE	KB1	BOILER 1 (HALF POWER)	TSB	BOILER SAFETY THERMOSTAT	TSS	SMOKER SAFETY THERMOSTAT
-	-	EV10	BOILER CLEANING VALVE	KB2	BOILER 1 (HALF POWER)	-	-	RS	SMOKER HEAT ELEMET
-	-	BV6	BOILER DRAIN BALL VALVE	-	-	ELECTRIC DIAGRAM 6/10 "GAS" 230V 1N CKM		From S/N :	N°: 602402P00

ACCESSORIES "GAS"

FAT DRAIN SYSTEM



CLEANING SYSTEM "LIQUID"



TSF FAT DRAIN SAFETY THERMOSTAT

P2 RINSE PUMP

MA-PP TERMINAL BLOCK PEAK POWER MANAGEMENT

BV15 FAT DRAIN BALL VALVE

RF FAT DRAIN HEAT ELEMENT

P1 DETERGENT PUMP

ELECTRIC DIAGRAM 6/10 "GAS" 230V 1N CKM

From S/N :

N°: 602402P00