

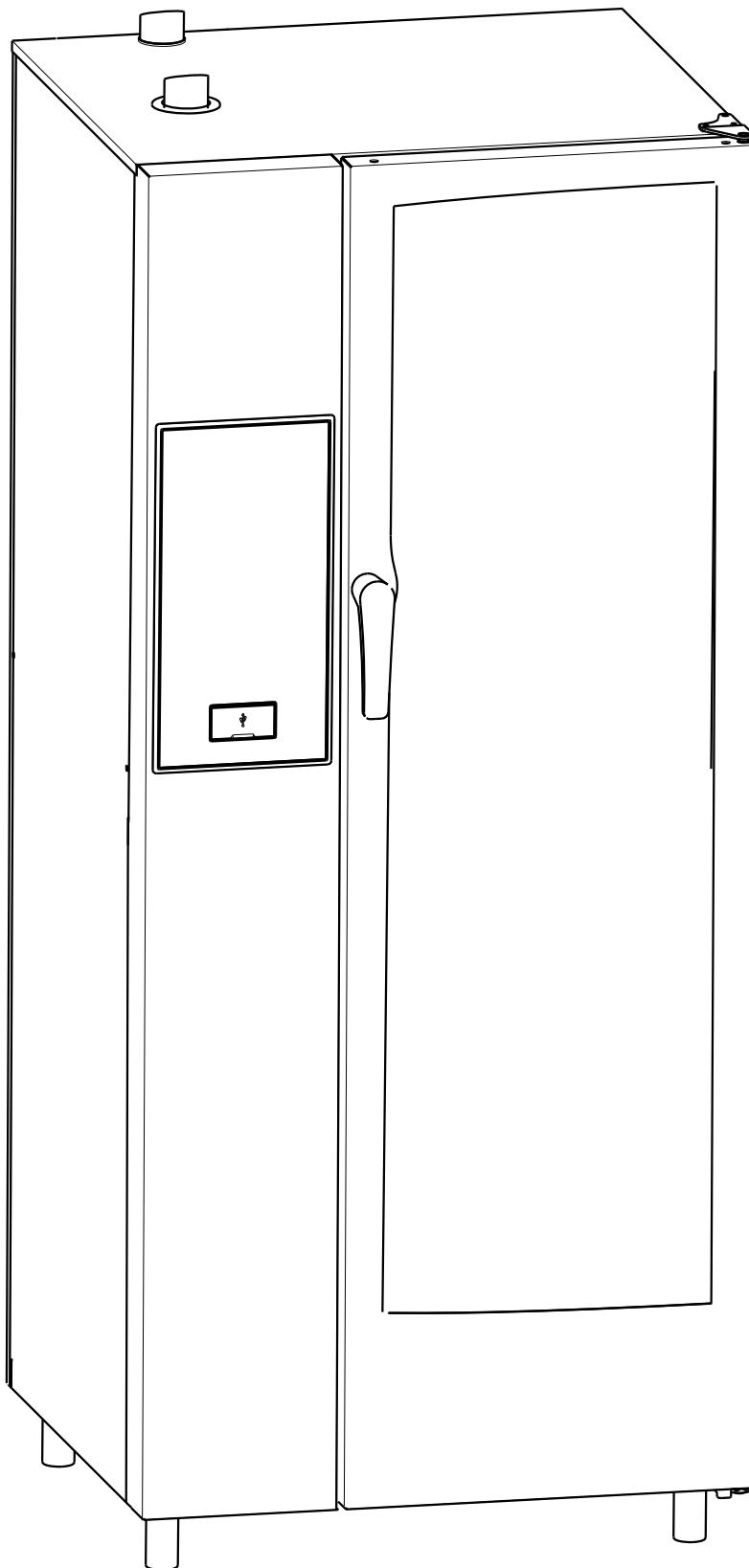
01/2020

Mod: SDET/XC-20

Production code: 228624

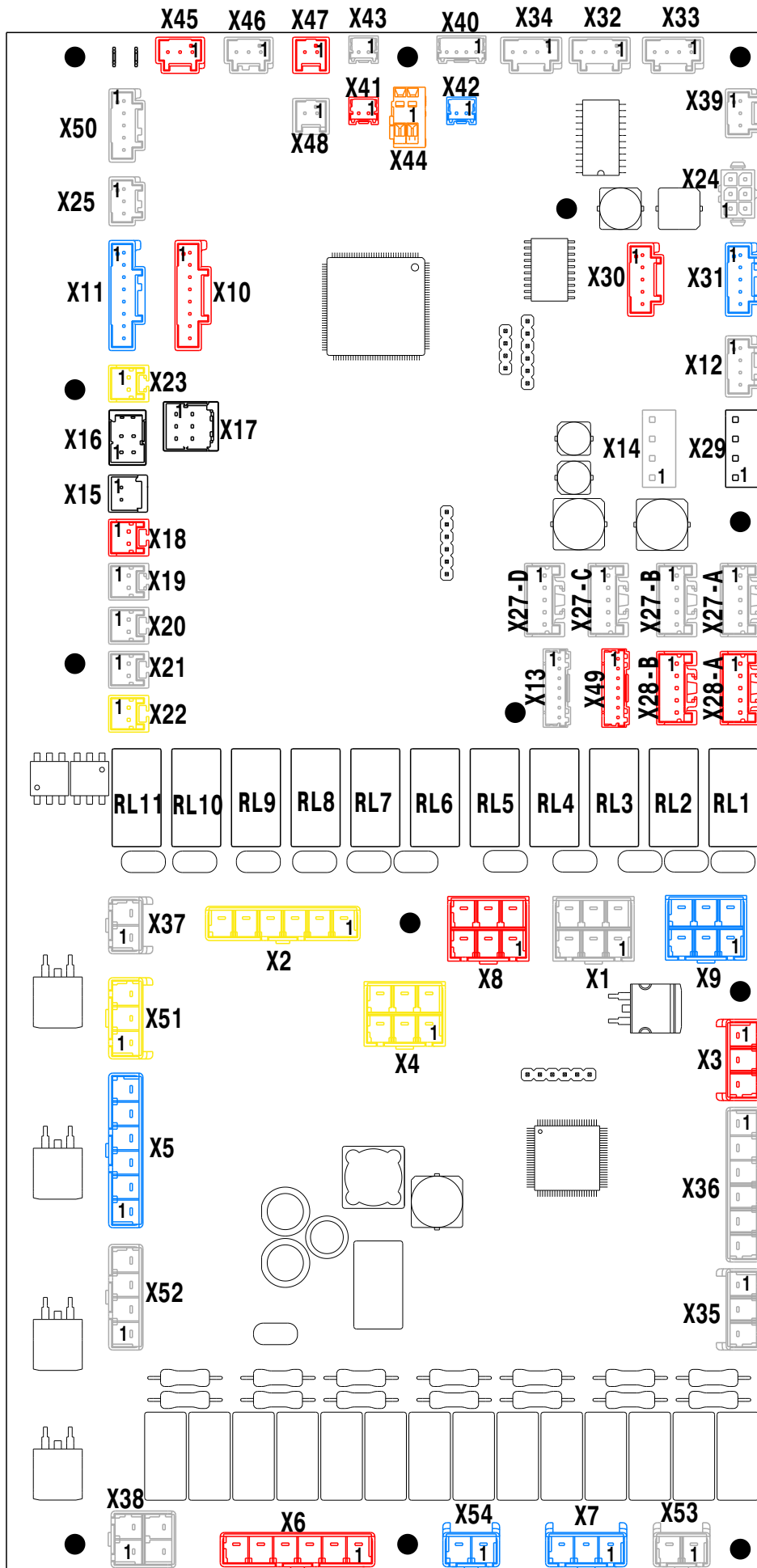
ELECTRIC OVENS

Electrical Documentation



20 1/1
&
20 2/1

MAIN BOARD ACU



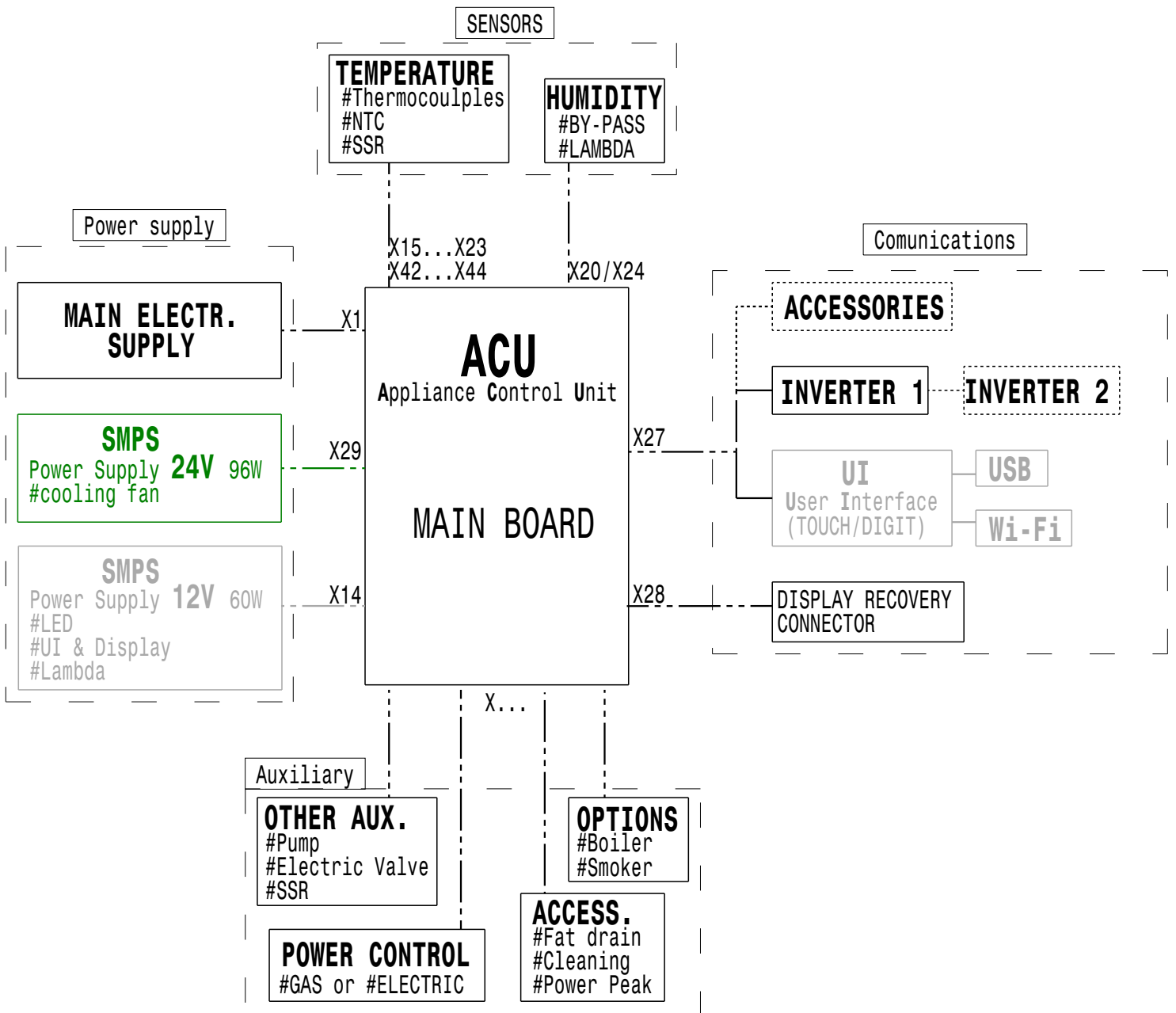
ACU LEGENDA

Ref.	Group	Pin	Dirac	Function
X1	Power Supply	1	IN	L
		2	IN	N
		3	IN	L
		4	IN	N
		5	IN	SW-OFF Auto switch off
		6	OUT	
X2	Water Service	1	OUT	EV1 Umidifier solenoid valve
		2	OUT	EV2 Quenching solenoid valve
		3	OUT	EV4 Spray unit solenoid valve
		4	OUT	BV3 Cavity drain ball valve OPEN
		5	OUT	BV3 Cavity drain ball valve CLOSE
		6	OUT	N
X3	Clean. Syst. Basic	1	OUT	EV7 Cleaning water fill solenoid valve
		2	OUT	M8 Cleaning pump
		3	OUT	N
X4	Cleaning System Drawer Rinse	1	OUT	EV11 Drawer fill solenoid valve
		2	OUT	EV12 Drawer drain solenoid valve
		3	OUT	
		4	OUT	
		5	OUT	
		6	OUT	N
X5	Boiler Fill & Clean	1	OUT	EV5 Boiler fill solenoid valve
		2	OUT	
		3	OUT	BV6 Boiler drain ball valve OPEN
		4	OUT	BV6 Boiler drain ball valve CLOSE
		5	OUT	
		6	OUT	N
X6	Sensing	1	IN	TSC Cavity safety thermostat
		2	IN	BBC1 Cavity gas blower burner UP
		3	IN	BBC2 Cavity gas blower burner DOWN
		4	IN	HVI4 Motor drive fuse UP
		5	IN	HVI5 Motor drive fuse DOWN
		6	IN	
X7	Sensing	1	IN	TSB Boiler safety thermostat
		2	IN	BBB1 Boiler gas blower burner
		3	IN	
X8	Cavity GAS burner	1	OUT	N
		2	OUT	FCU Control unit reset UP
		3	OUT	FCU Control unit reset DOWN
		4	IN	FCU Control units power supply
		5	OUT	FCU Control unit power supply UP
		6	OUT	FCU Control unit power supply DOWN
X9	Boiler GAS burner	1	OUT	N
		2	OUT	FBU Control unit reset UP
		3	OUT	FBU Control unit reset DOWN
		4	IN	FBU Control units power supply
		5	OUT	FBU Control unit power supply UP
		6	OUT	FBU Control unit power supply DOWN
X10	Cavity GAS blower	1	OUT	VTCU Power supply
		2	IN	VTCU Tachometer UP
		3	IN	
		4	OUT	VTCU Speed control UP
		5	IN	VTCU Tachometer DOWN
		6	IN	
		7	OUT	VTCU Speed control DOWN
		8	OUT	VTCU GND

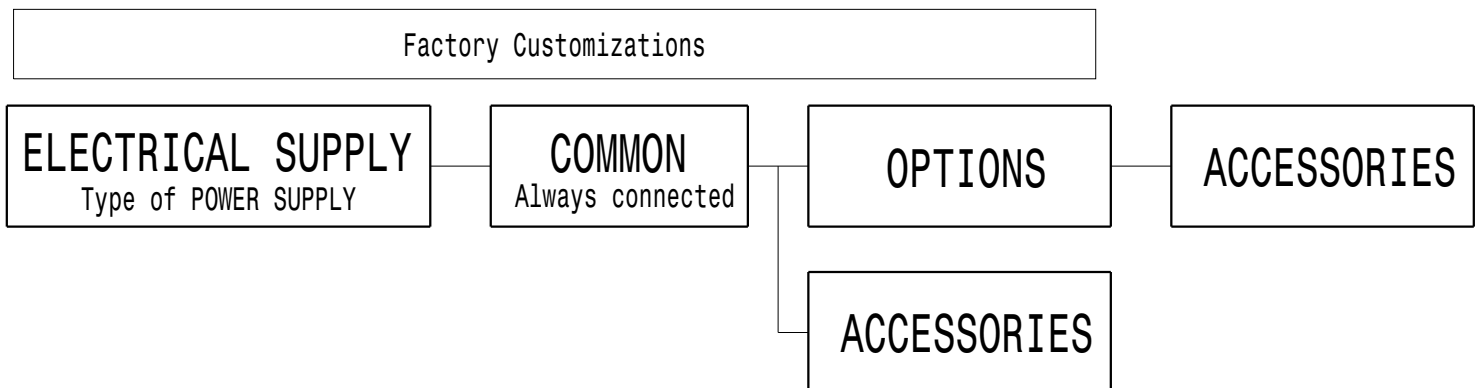
Ref.	Group	Pin	Dirac	Function
X11	Boiler GAS blower	1	OUT	VTBU Power supply
		2	IN	VTBU Tachometer UP
		3	IN	
		4	OUT	VTBU Speed control UP
		5	IN	VTBU Tachometer DOWN
		6	IN	
		7	OUT	VTBU Speed control DOWN
		8	OUT	VTBU GND
X12	Led	1	OUT	H1 strip led anode UP
		2	IN	H1 strip led catode UP
		3	IN	H2 strip led catode DOWN
		4	OUT	H2 strip led anode DOWN
X13			Adress	
X14	12V	1	IN	+12V dc
		2	IN	
		3	IN	0V dc
		4	IN	
X15	Food probe temperature	1	IN	TFP 1° point food probe temp.
		2	IN	
X16	Food probe temperature	1	IN	TFP 2° point food probe temp.
		2	IN	
X17	Food probe temperature	3	IN	TFP 3° point food probe temp.
		4	IN	
		1	IN	TFP 4° point food probe temp.
		2	IN	
X18	Temper.	3	IN	TFP 5° point food probe temp.
		4	IN	
X19	Temper.	5	IN	TFP 6° point food probe temp.
		6	IN	
X18	Temper.	1	IN	TCAV Cavity UP temp. THERMOCOUPLE
X19	Temper.	2	IN	
X20	Temper.	1	IN	TBOI Boiler temp. THERMOCOUPLE
X21	Temper.	2	IN	
X20	Temper.			-- NOT USE --
X21	Temper.			-- NOT USE --
X22	Temper.	1	IN	TQS Quench. Syst. Temp. THERMOCOUPLE
X23	Temper.	2	IN	
X23	Temper.			-- NOT USE --
X24				Lambda sensor
X25	Boiler level	1	IN/OUT	REF Safety level dection probe
		2	IN/OUT	WL Working level dection probe
		3	IN	SL Level detection probes reference
X27-A			IN/OUT	PMACS communication BUS
X27-B			IN/OUT	PMACS communication BUS
X27-C			IN/OUT	PMACS communication BUS
X27-D			IN/OUT	PMACS communication BUS
X28-A			IN/OUT	PMACS Recovery communication BUS
X28-B			IN/OUT	PMACS Recovery communication BUS
X29	24V	1	IN	+24V dc
		2	IN	
		3	IN	0V dc
		4	IN	

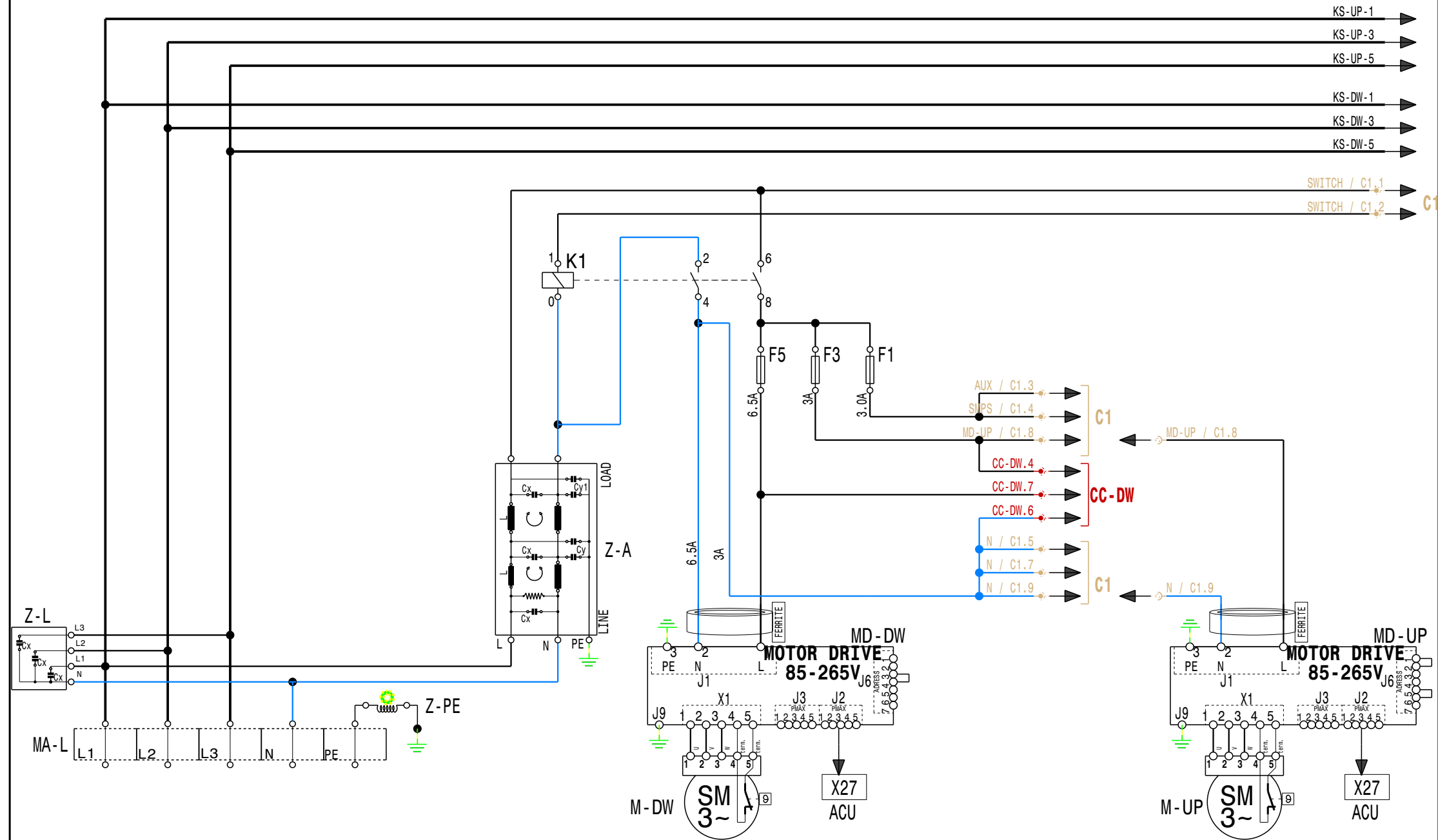
Ref.	Group	Pin	Dirac	Function
X30	Cavity SSR	1	OUT	KC1 Solid state relay 1 UP
		2	OUT	KC2 Solid state relay 2 UP
		3	OUT	KC3 Solid state relay 3 DOWN
		4	OUT	KC4 Solid state relay 4 DOWN
		5	OUT	0V dc
X31	Boiler SSR	1	OUT	KB1 solid state relay 1 UP
		2	OUT	KB2 solid state relay 2 UP
		3	OUT	KB3 solid state relay 3 DOWN
		4	OUT	KB4 solid state relay 4 DOWN
		5	OUT	0V dc
X32	Cooling			FAN1 Cooling fan (6 -10-20 grids)
X33	Cooling			FAN2 Cooling fan 2 (20 grids)
X34	Cooling			FAN3 Cooling fan 3 (20 grids)
X35	Vent. Valve	1	OUT	VV1 Venting valve 1 cw rotation
		2	OUT	N
		3	OUT	VV1 Venting valve 1 ccw rotation
X36				-- NOT USE --
X37	KS	1	OUT	KS Safety contactor
		2		
X38	Smoker	1	OUT	N
		2	OUT	R1 (Smoker heating element)
		3	OUT	
		4	IN	
X39	Flow meter	1		
		2	OUT	FM Flow mer reference
		3	IN	FM Flow mer feedback
X40	Temper.	1	OUT	NCC Cabinet components temp. NTC
		2	IN	
		3	OUT	NM8 Drain liquid temp. NTC
		4	IN	
X41	Temper.	1	OUT	NHSC Cavity SSR heatsink temp. NTC
		2	IN	
X42	Temper.	1	OUT	NHSB Boiler SSR heatsink temp. NTC
		2	IN	
X43	Temper.			-- NOT USE --
X44	Softner	1	OUT	SSW1 Common reference
		2	IN	SSW1 Softner interface
X45	Switch	1	OUT	0V dc
		2	IN	DS Door switch
		3	IN	AFS Air Filter switch
X46	switch	1	OUT	0V dc
		2	IN	SVV 1/2 (venting valve CLOSE)
		3	IN	SVV 3/4 (venting valve OPEN)
X47		1	OUT	0V dc
		2	IN	Fat drain valve status switch
X48	Switch	1	OUT	0V dc
		2	IN	DRS Cleaning drawer switch
X49				Recovery Adress
X50				-- NOT USE --
X51	Liquid Clean. Syst.	1	OUT	P1 Liquid dergent pump
		2	OUT	P2 Liquid rinse pump
		3	OUT	N
X52				-- NOT USE --
X53		1	IN	PPM1 Power Peak managment
		2	IN	PPM2 Power Peak managment
X54				-- NOT USE --

LOGIC DIAGRAM



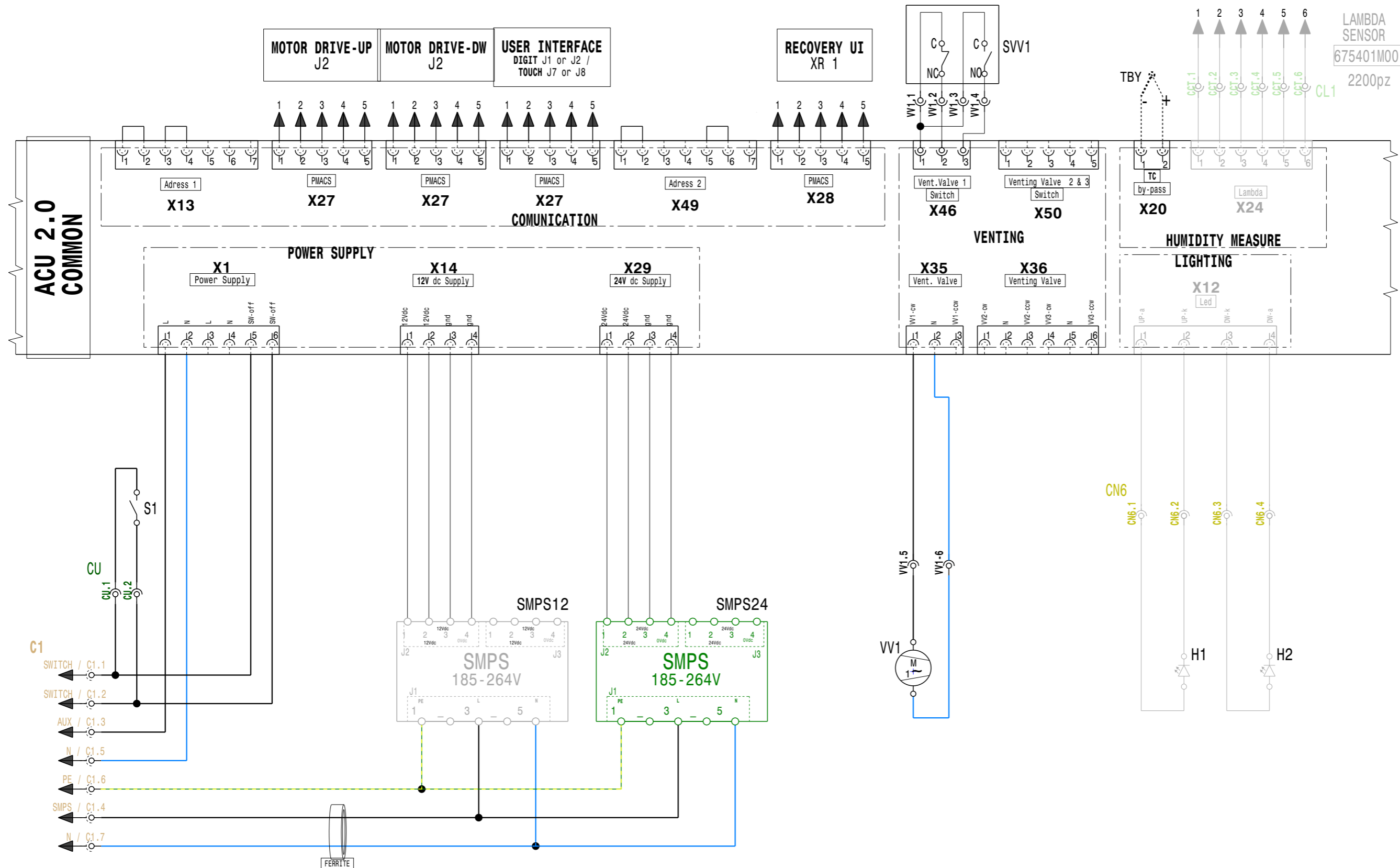
HARNES DIAGRAM





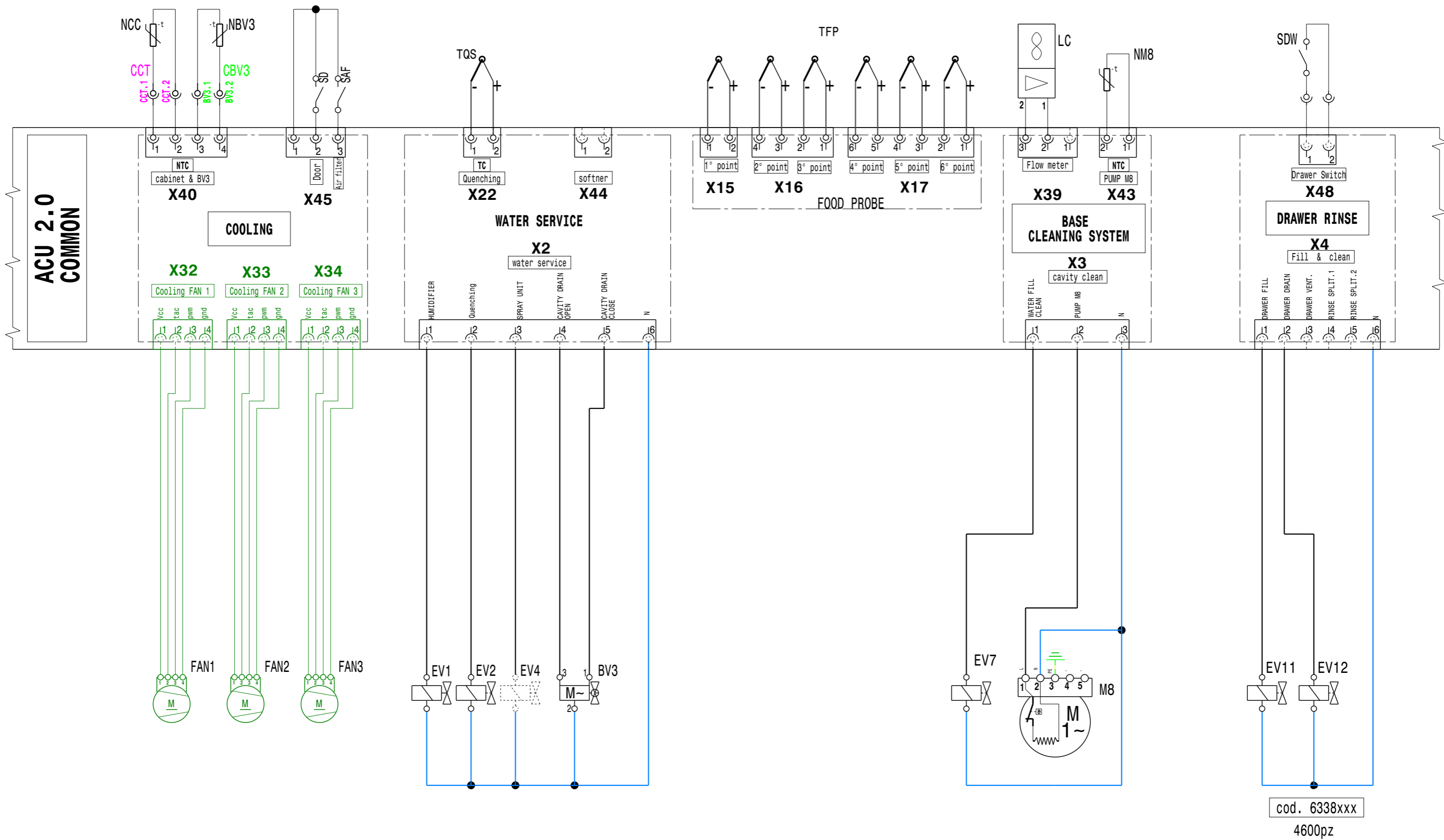
MA-L	Terminal Block	Z-A	AUX EMI FILTER	F2	AUX FUSE	M-DW	MOTOR DOWN	M-UP	MOTOR UP	CC-DW	CAVITY DW CONNECTOR
Z-L	Term.Blo.EMI FILTER	K1	ON/OFF RELAY	F5	MD-DW FUSE	MD-UP	MOTOR DRIVE UP	C1	AUX CONNECTOR	-	-
Z-PE	GROUND FILTER	F1	MD-UP FUSE	MD-DW	MOTOR DRIVE DOWN						

COD 602402L00 ELECTRIC DIAGRAM 20 "ELT" 380-480V 3-3N CKM From S/N :



VV1	UPPER VENTING VALVE	TBY	TERMOCOUPLE BY-PASS
SVV1	SWITCH UP VENT. VALVE	H1	LED BAR

COMMON Pg. 2/2



cod. 6338xxx
4600pz

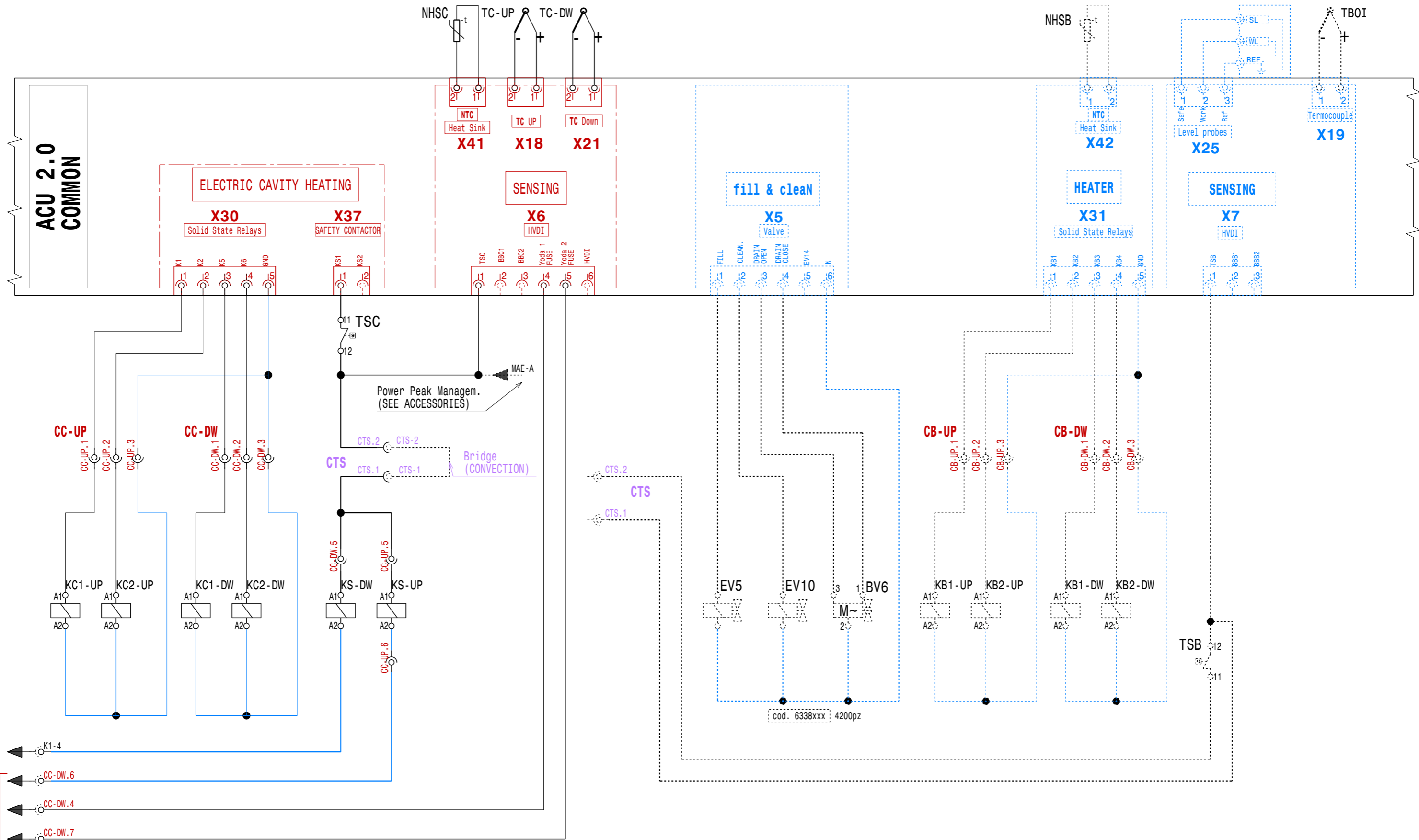
-	-	BV3	CAV.DRAIN BALL VALVE	TQS	TERMOCOUP.QUENCING	TFP	FOOD PROBE	FM	FLOW METER	SDW	SWITCH DRAWER
FAN1	COOLING FAN (FRONT PANNEL)	EV1	HUMIDIF. ELEC. VALVE	NM8	NTC SENSOR PUMP M8	-	-	EV7	CLEANING WATER FILL VALVE	EV11	DRAWER FILL VALVE
-	-	EV2	QUENCH. ELEC. VALVE	NCC	NTC SENSOR COMP.CABINET	SAF	SWITCH AIR FILTER	M8	CLEANING PUMP	EV12	DRAWER DRAIN VALVE
-	-	EV4	SPRY UNIT ELEC. VALVE	NBV3	NTC SENSOR BV3	SD	SWITCH DOOR	ELECTRIC DIAGRAM 20 "ELT" 380-480V 3-3N CKM		From S/N :	

SPECIFIC

"ELECTRIC"

ELECTRIC CONVECTION

ELECTRIC BOILER (OPTION)

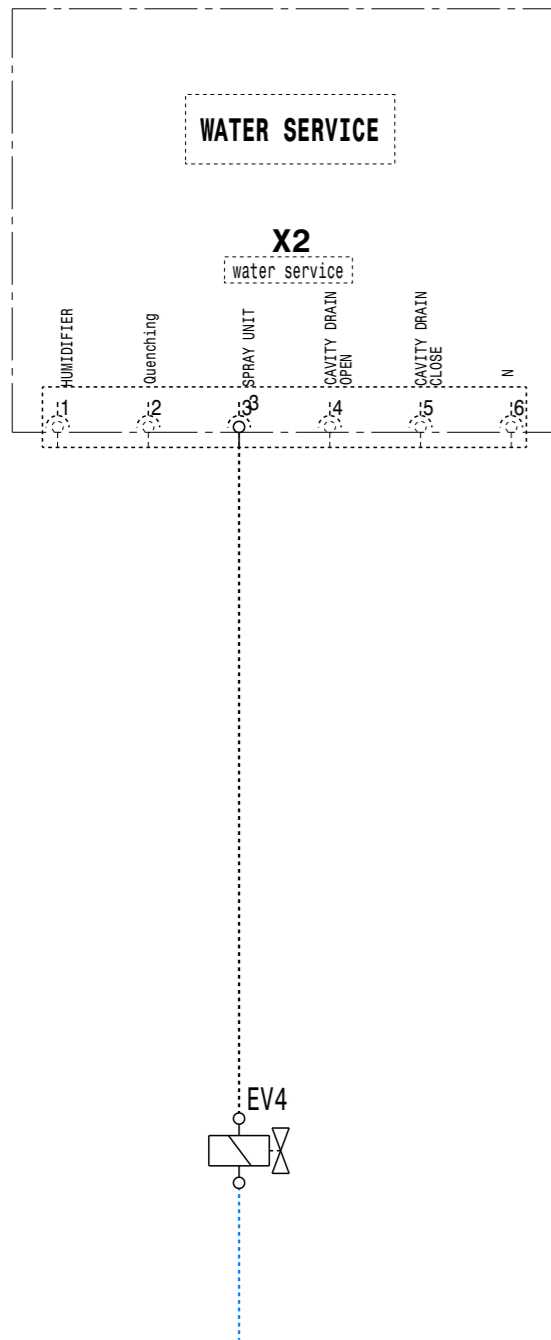


TSC	CAVITY SAFETY THERMOST	-	-
KC1	CAVITY 1 (HALF POWER)	TCAV	THERMOCOUPLE CAVITY
KC2	CAVITY 2 (HALF POWER)	NHSC	NTC SENS.CAVITY HEAT SINK

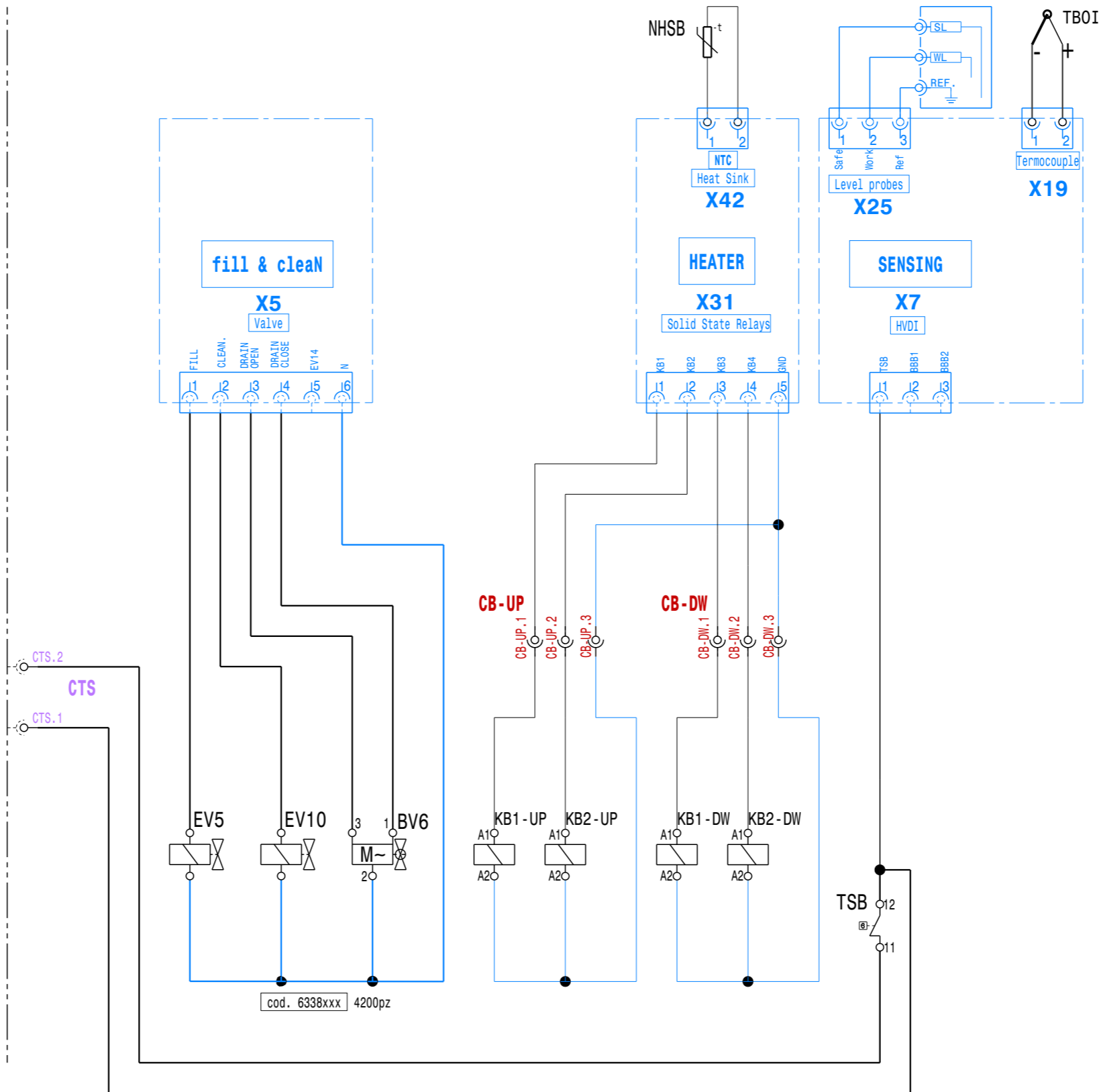
OPTIONS

"ELECTRIC"

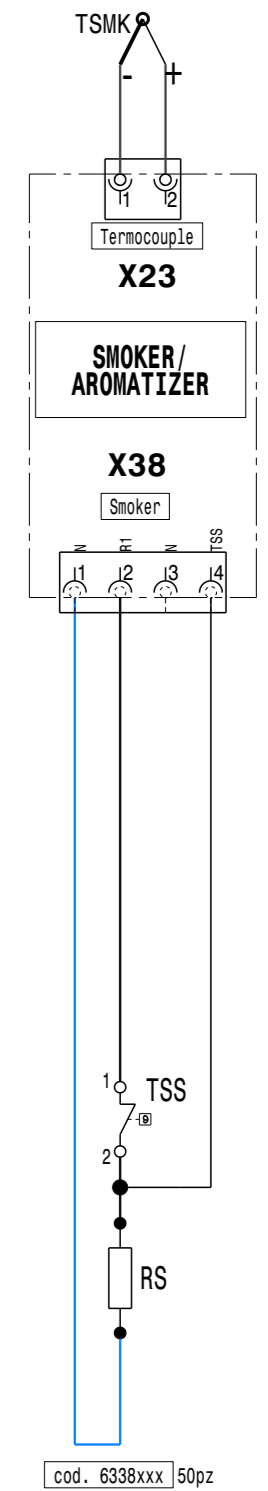
SPRY UNIT



ELECTRIC BOILER (OPTION)



SMOKER/AROMATIZER

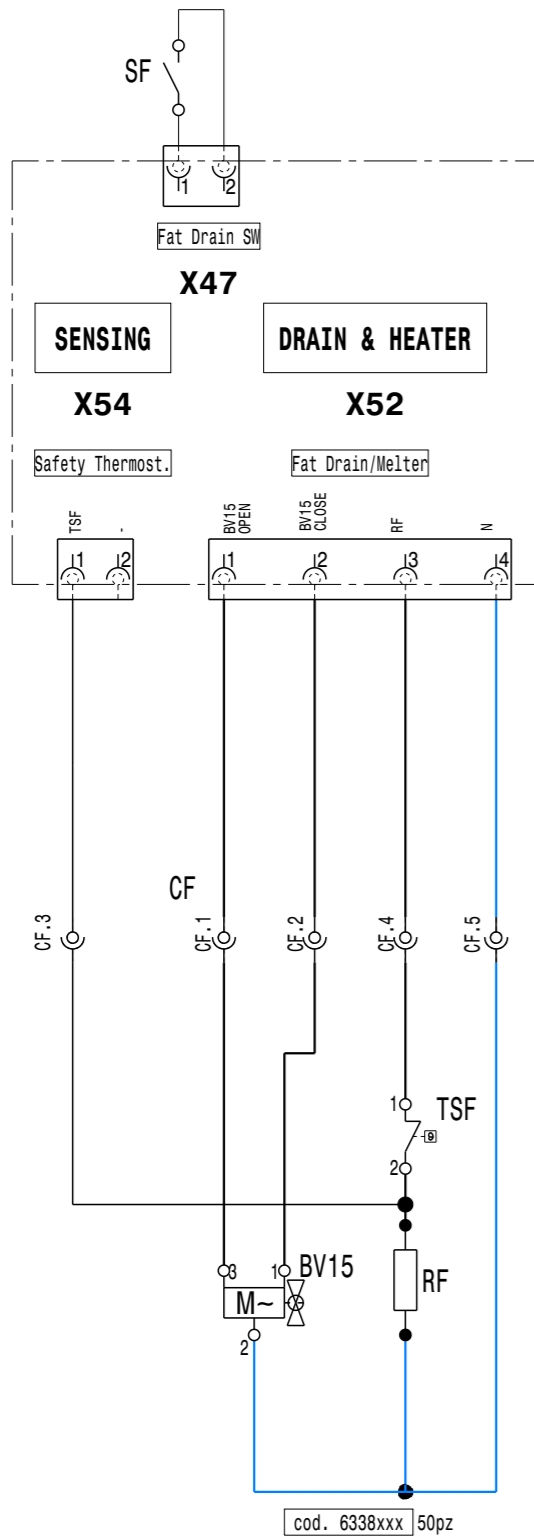


	-	-	-	-	-	-	-	
			EV5	BOILER FILL VALVE	KB1	BOILER 1 (HALF POWER)	TSB	BOILER SAFETY THERMOSTAT
			EV10	BOILER CLEANING VALVE	KB2	BOILER 1 (HALF POWER)	TBOI	THERMOCOUPLE BOILER
EV4	SPRAY UNIT		BV6	BOILER DRAIN BALL VALVE	-	-	RS	SMOKER HEAT ELEMET
					-	-	COD 602402L00 ELECTRIC DIAGRAM 20 "ELT" 380-480V 3-3N CKM From S/N :	

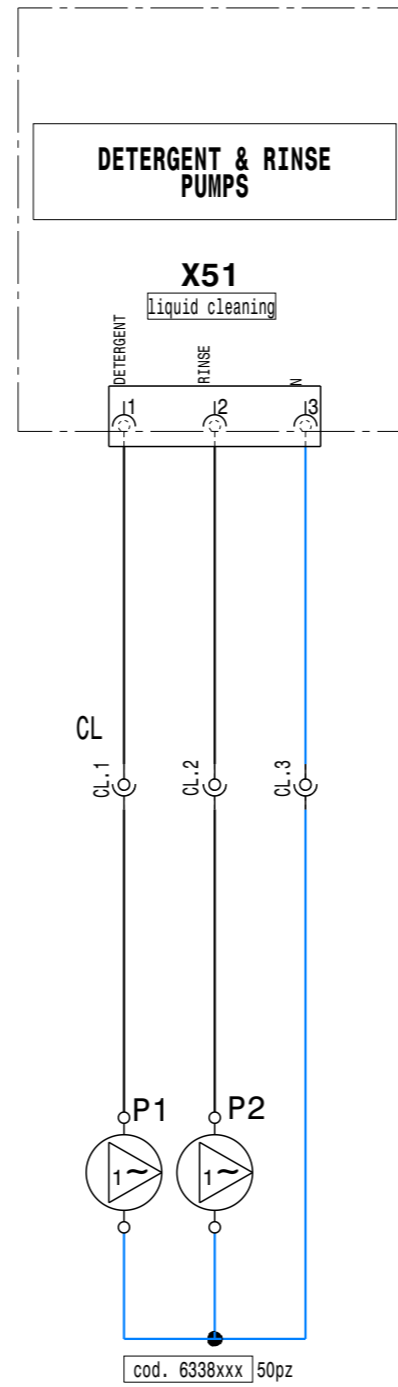
ACCESSORIES

"ELECTRIC"

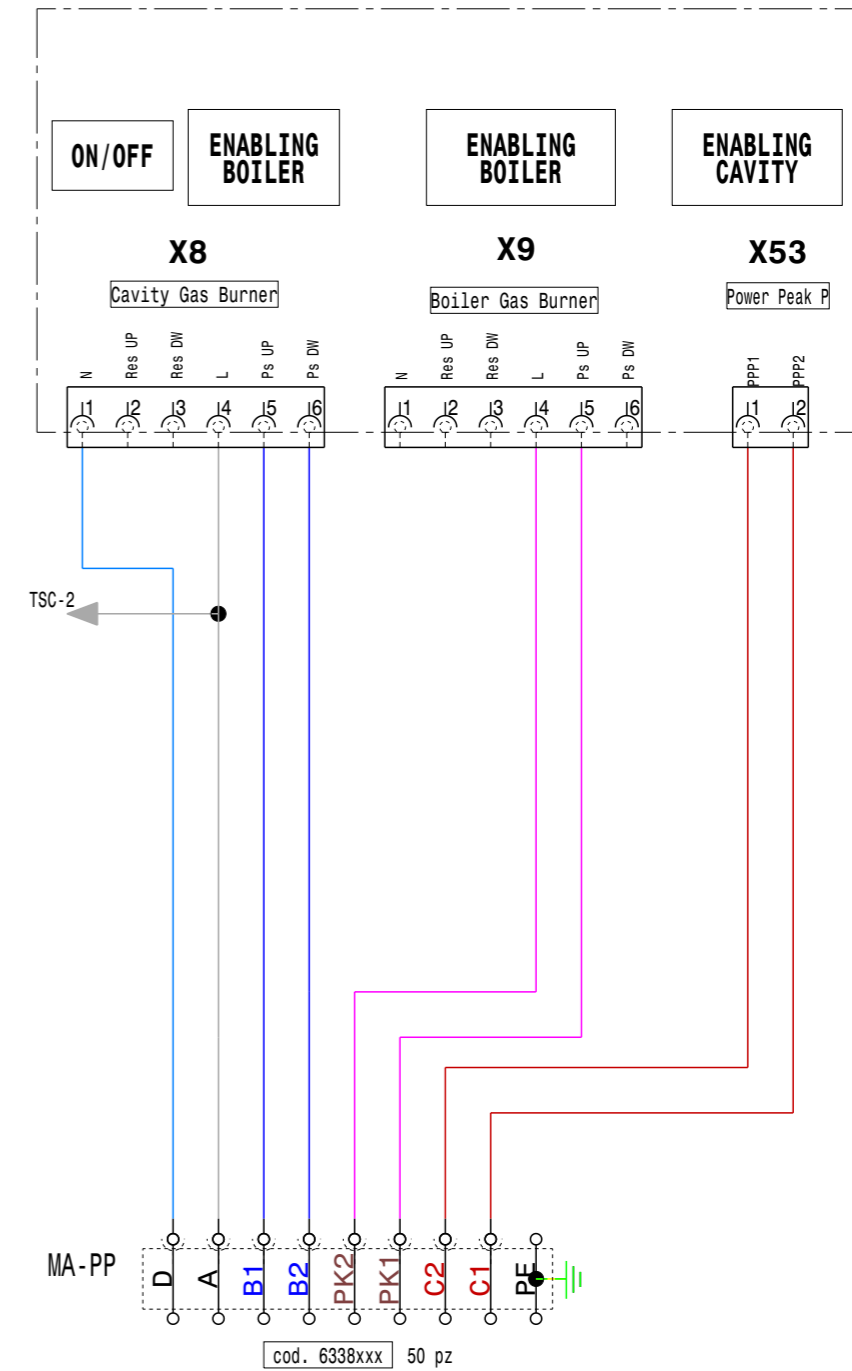
FAT DRAIN SYSTEM



CLEANING SYSTEM "LIQUID"



POWER PEAK MANAGEMENT



TSF FAT DRAIN SAFETY THERMOSTAT
 BV15 FAT DRAIN BALL VALVE
 RF FAT DRAIN HEAT ELEMENT

P2 RINSE PUMP
 P1 DETERGENT PUMP

MA-PP TERMINAL BLOCK PEAK POWER MANAGEMENT

COD 602402L00

ELECTRIC DIAGRAM 20 "ELT" 380-480V 3-3N CKM

From S/N :

