

02/2012

# Mod: SD14/D

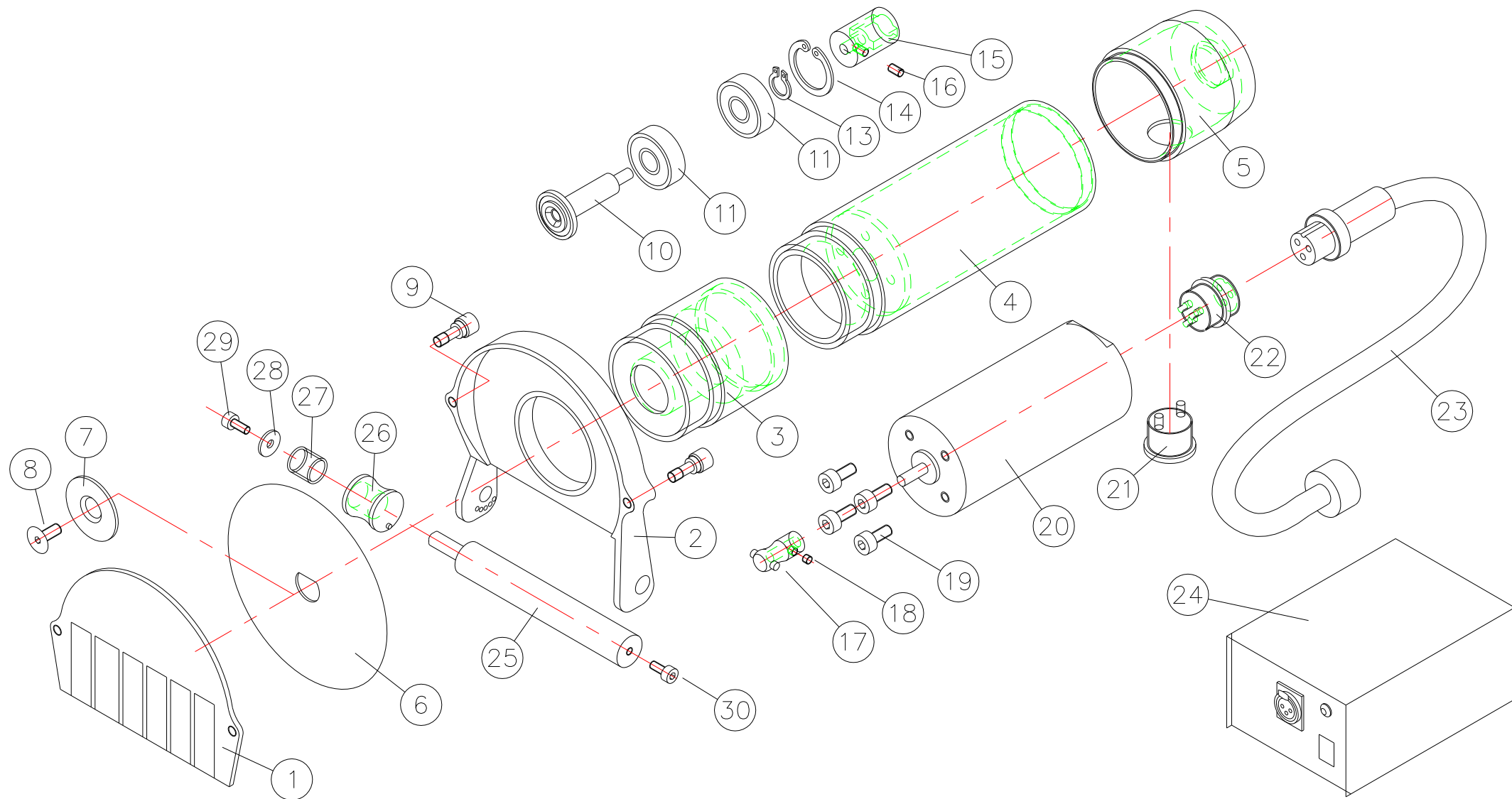
Production code: H04218



**Diamond**  
catering equipment

# Easycut – Metal Knife 1.0 in stainless-steel (without holes)

Dimensions: 105 x 95 x 205mm  
(W x H x L)



Power Supply dimensions: 120 x 80 x 175mm  
Input: 110V 60Hz      Output: 30V(DC)      Current: 3000mA

# Parts List

ITEM	DESCRIPTION	PART NUMBER METAL & HOLES	PART NUMBER METAL, NO HOLES	PART NUMBER PLASTIC
1	Lid	EM0101	EM0101	EP0102
2	Head	EM0201	EM0203	EP0202
3	Housing	EM0301	EM0303	-----
4	Body	EM0401	EM0403	EP0402
5	End-cap	EM0501	EM0503	EP0502
6	Blade	EM0680	EM0680	EM0665
7	Blade Washer	EM0701	EM0701	EM0701
8	Blade Screw	EM0801	EM0801	EM0801
9	Cover Screws (set of 2)	EM0901	EM0901	EP0902
10	Spindle	EM1001	EM1003	EP1002
11	Bearings (set of 2)	EM1122	EM1122	EM1122
12	Bearing Spacer	EM1210		-----
13	Spindle Circlip	EM1308	EM1308	EM1308
14	Housing Circlip	EM1422	EM1422	EM1422
15	Coupling – Female	EM1501	EM1503	EP1502
16	Coupling – Female, Retaining Screw	EM1601	EM1601	EM1602
17	Coupling – Male	EM1701	EM1703	EP1702
18	Coupling – Male, Retaining Screw	EM1801	EM1801	EM1802
19	Motor Retaining Screws (set of 4)	EM1901	EM1901	EM1901
20	Motor	EM2001	EM2001	EM2001
21	Switch	EM2101	EM2101	EM2101
22	Power-Cable Connector	EM2201	EM2201	EM2201
23	Power-Cable	EM2301	EM2301	EM2301
24	Transformer	**	**	**
25	Roller	EM2501	EM2501	-----
26	Adjustment Nut	EM2601	EM2601	-----
27	Adjustment Spring	EM2701	EM2701	-----
28	Spring Retaining Washer	EM2801	EM2801	-----
29	Spring Retaining Screw	EM2901	EM2901	-----
30	Roller Screw	EM3001	EM3001	-----
31	Blade-Guard	-----	-----	EP3101
32	Blade-Guard Screws (set of 2)	-----	-----	EP3201

## Notes

\*\* transformer part numbers are not relevant to knife type

----- parts not applicable