

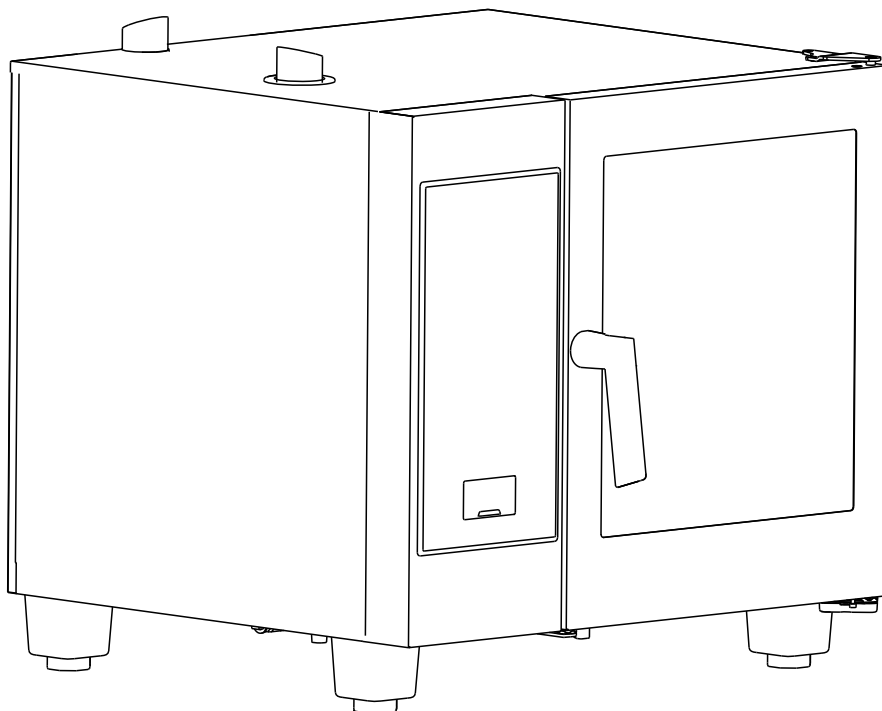
09/10/2019

# **Mod: SBGS/XC-06**

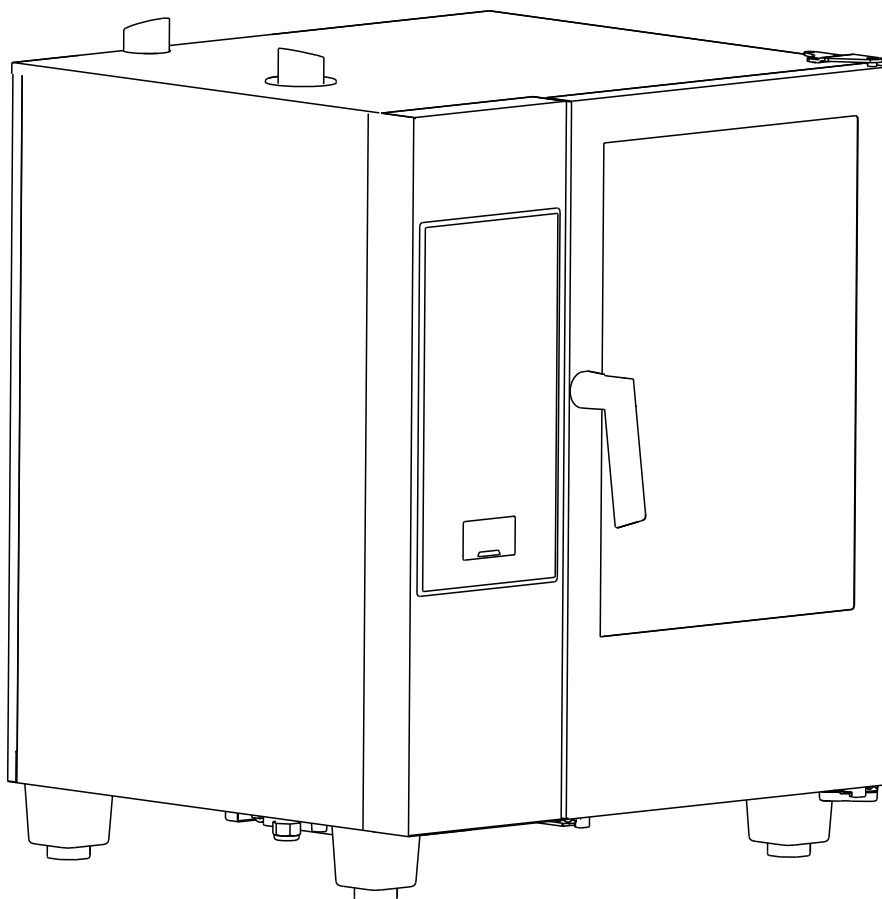
**Production code: 228830**

# GAS OVENS

## Electrical Documentation

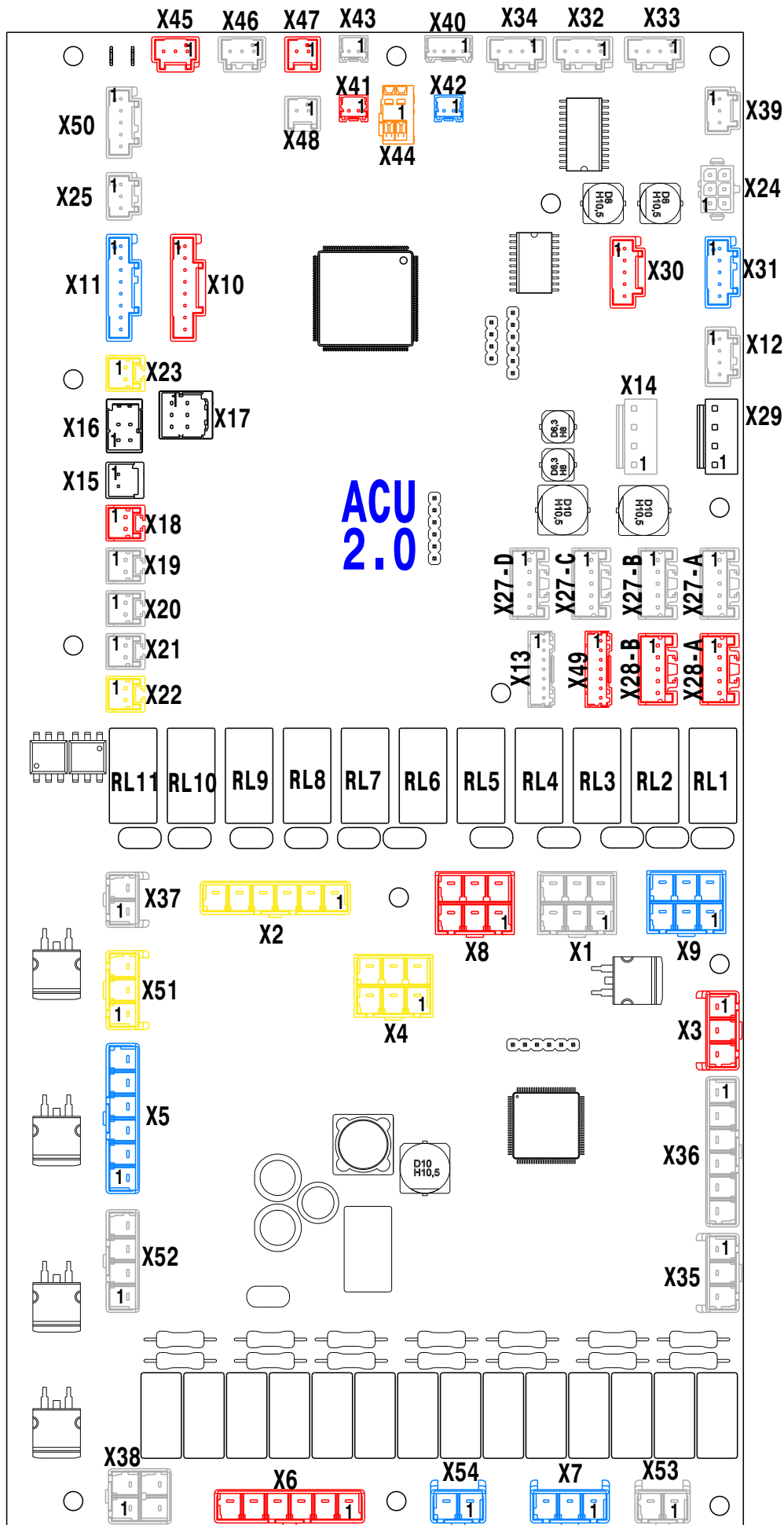


6 1/1  
&  
6 2/1

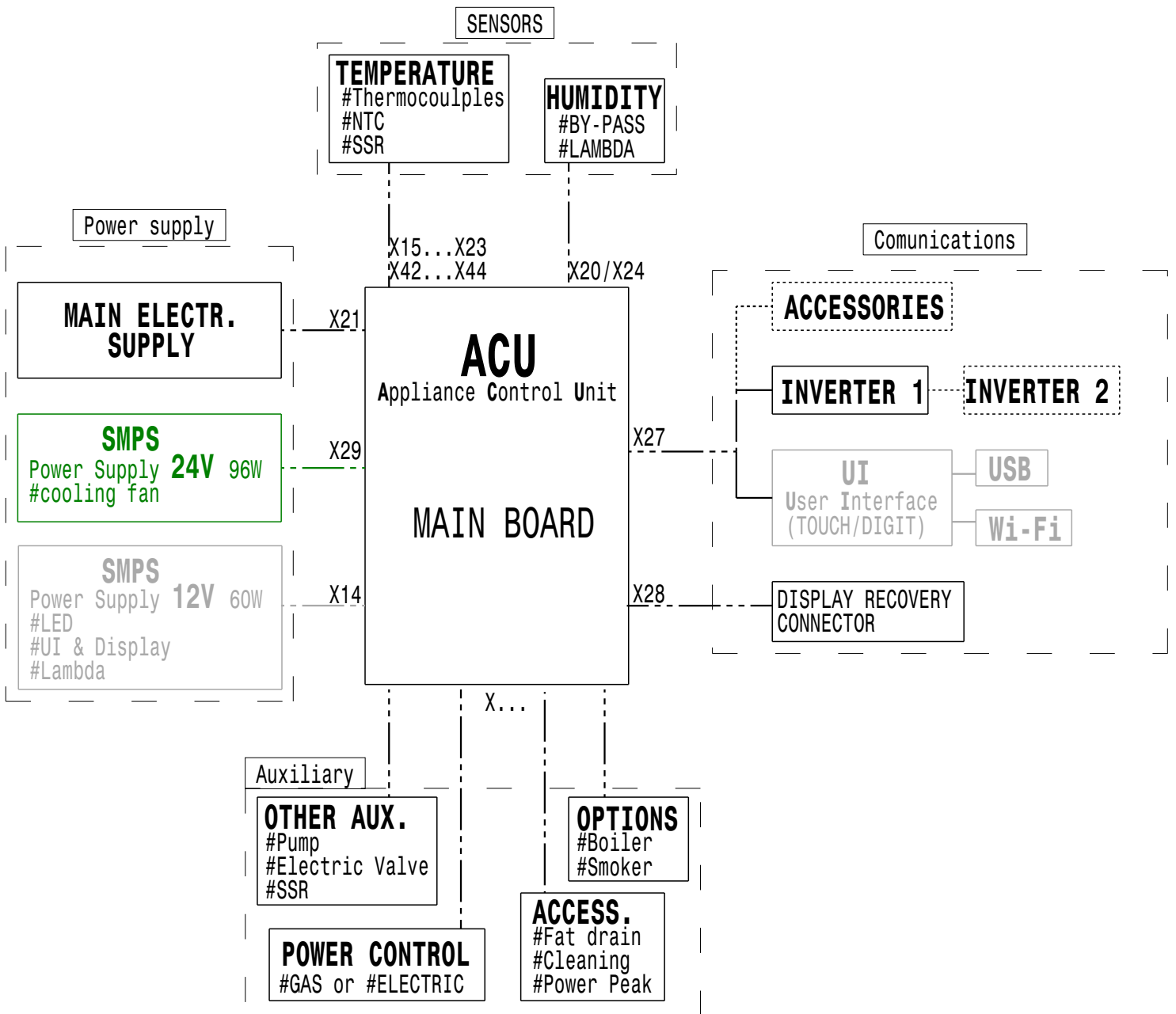


10 1/1  
&  
10 2/1

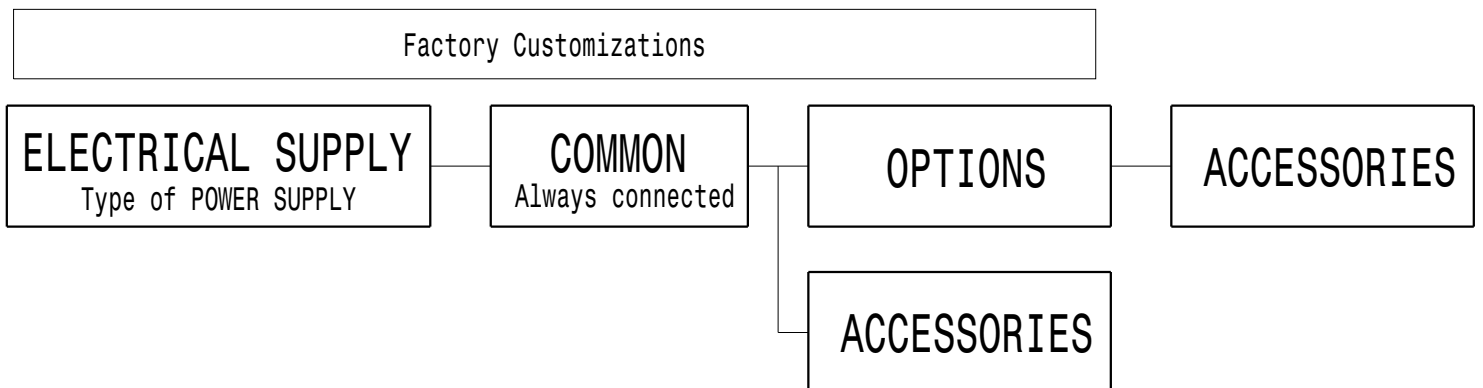
# MAIN BOARD ACU 2.0 "Columbia"



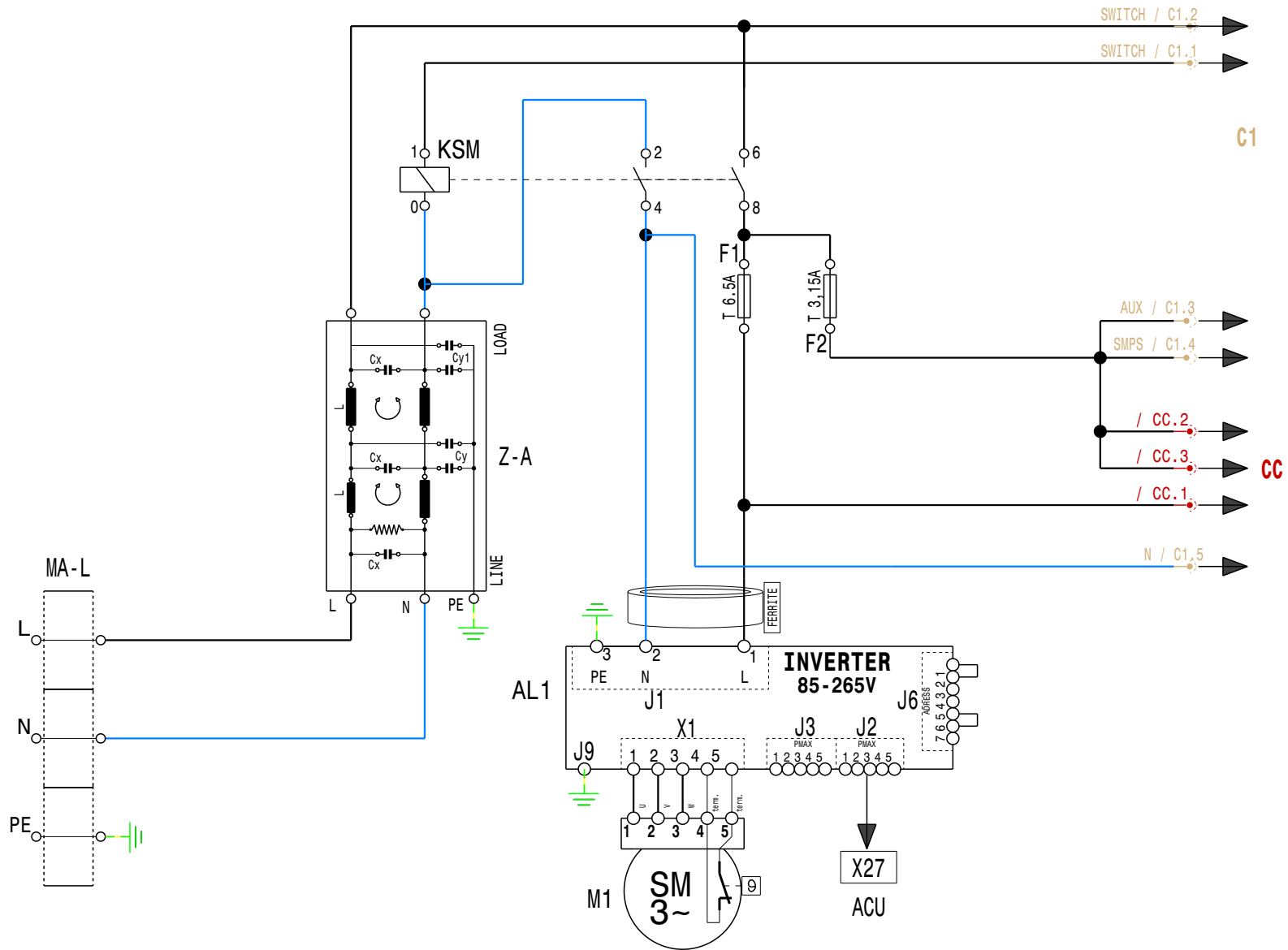
# LOGIC DIAGRAM



# HARNES DIAGRAM

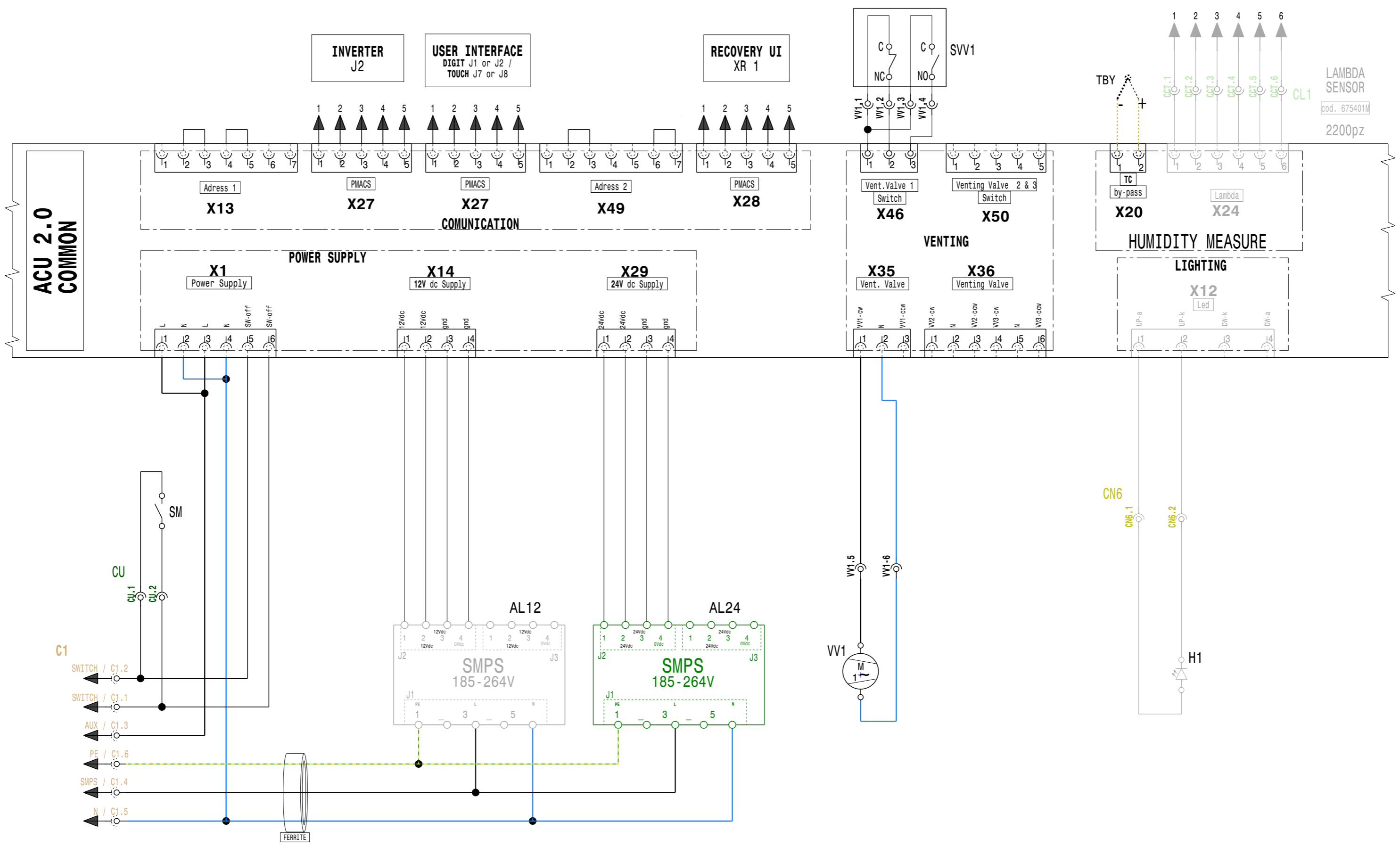


# ELECTRICAL SUPPLY 230V - 1N - 50Hz "GAS"



MA-L	Terminal Block	Z-A	AUX EMI FILTER	AL1	Terminal Block	F1	INVERTER FUSE	-	-	-	-
-	-	KSM	ON/OFF RELAY	M1	Terminal Block	F2	AUX FUSE	-	-	-	-
-	-	-	-	-	-	-	-	ELECTRIC DIAGRAM 6/10 "GAS" 230V 1N CKM			From S/N :
										N°: 602402P00	

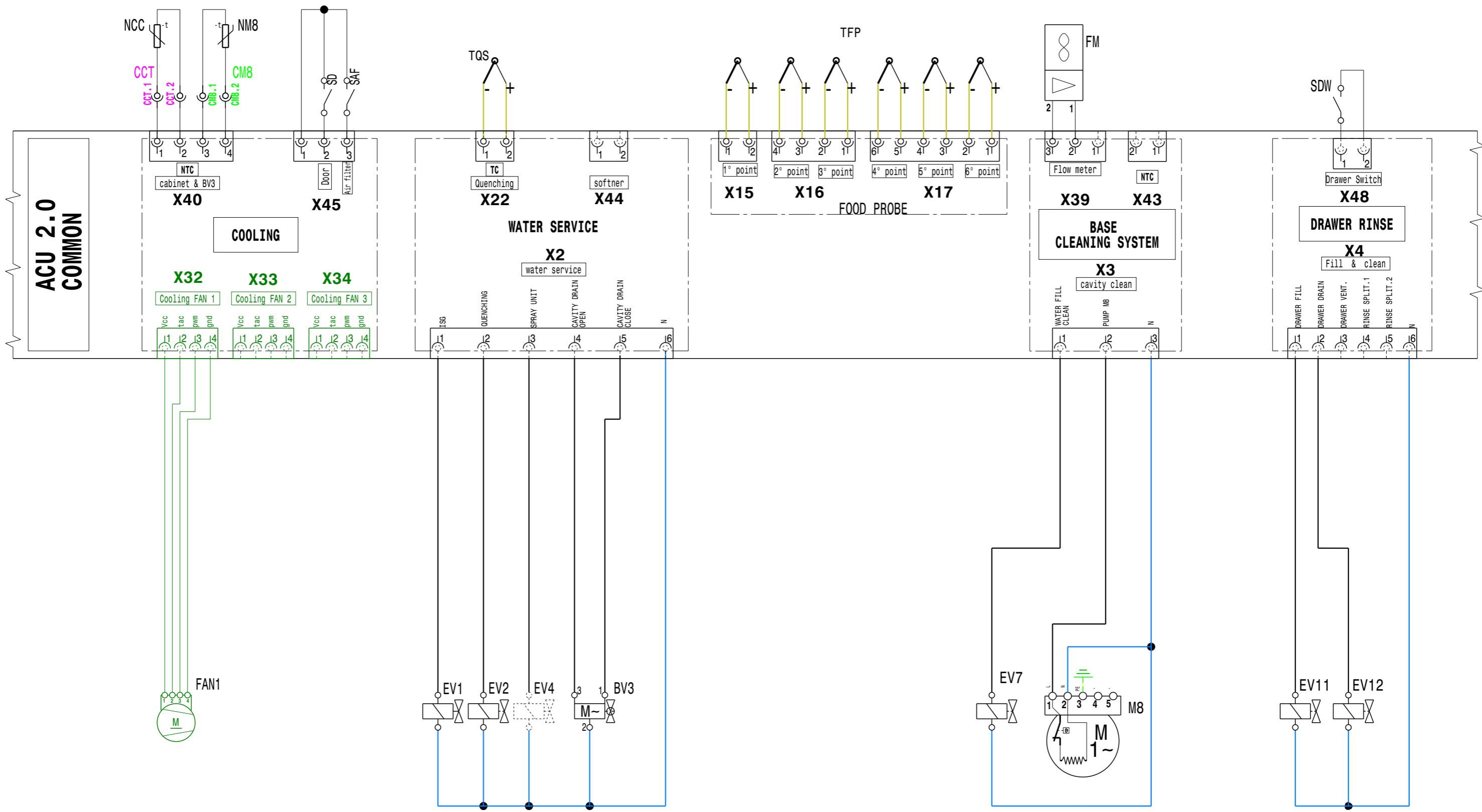
# COMMON Pg. 1/2



SM	MAIN SWITCH	Z-AL12/24	SMPS FERRITE	AL12	SMPS 12V	AL24	SMPS 24V
							ELECTRIC DIAGRAM 6/10 "GAS" 230V 1N CKM
							From S/N :
							N°: 602402P00

**VV1** UPPER VENTING VALVE    **TBY** THERMOCOUPLE BY-PASS  
**SVV1** SWITCH UP VENT. VALVE    **H1** LED BAR

# COMMON Pg. 2/2

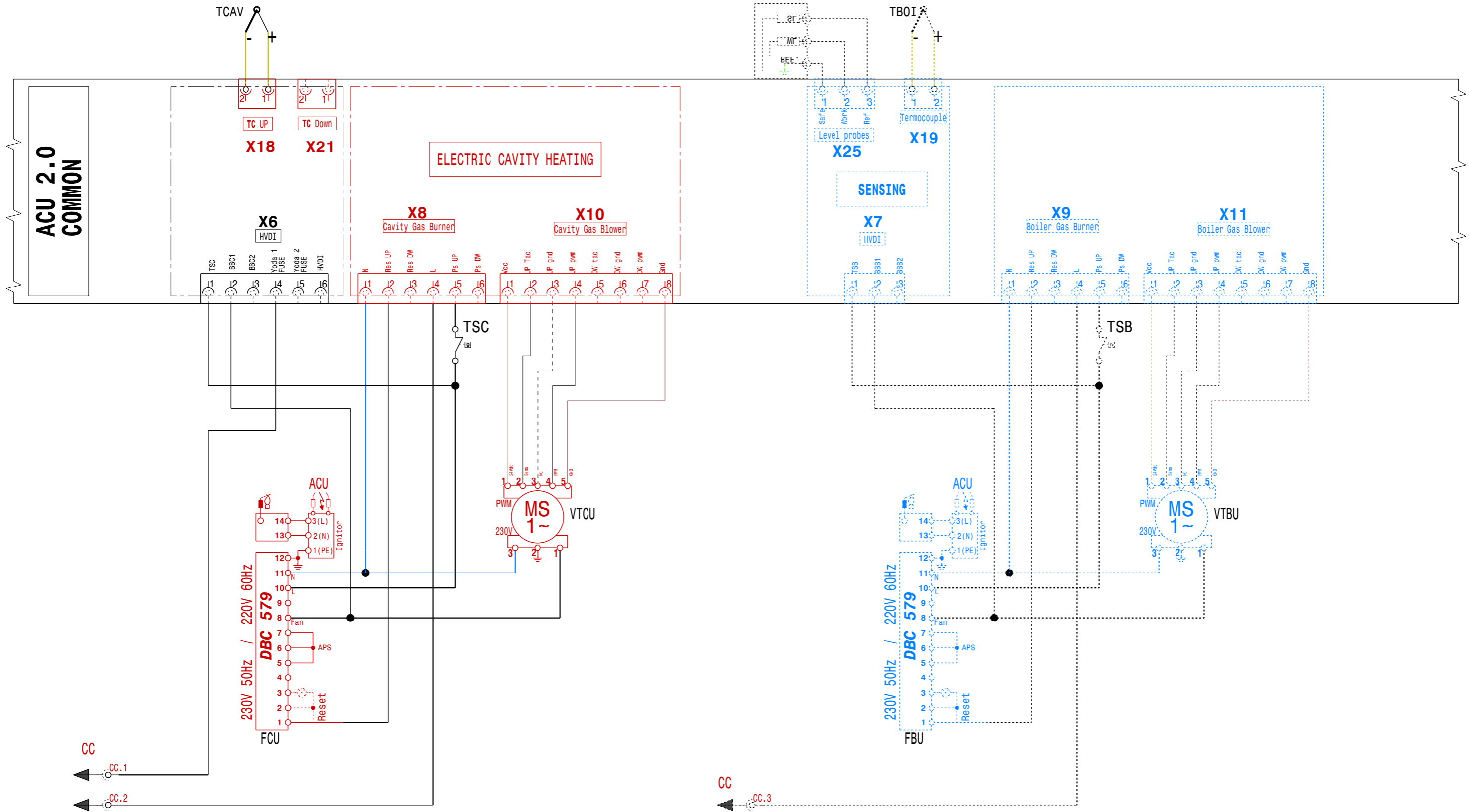


-	-	<b>BV3</b> CAV.DRAIN BALL VALVE	<b>TQS</b> TERMOCOUP.QUENCING	<b>TFP</b> FOOD PROBE	<b>FM</b> FLOW METER	<b>SDW</b> SWITCH DRAWER
<b>FAN1</b> COOLING FAN (FRONT PANNEL)		<b>EV1</b> HUMIDIF. ELEC. VALVE	<b>NM8</b> NTC SENSOR PUMP M8	-	<b>EV7</b> CLEANING WATER FILL VALVE	<b>EV11</b> DRAWER FILL VALVE
-	-	<b>EV2</b> QUENCH. ELEC. VALVE	<b>NCC</b> NTC SENSOR COMP.CABINET	<b>SAF</b> SWITCH AIR FILTER	<b>M8</b> CLEANING PUMP	<b>EV12</b> DRAWER DRAIN VALVE
-	-	<b>EV4</b> SPRY UNIT ELEC. VALVE	<b>NBV3</b> NTC SENSOR BV3	<b>SD</b> SWITCH DOOR	ELECTRIC DIAGRAM 6/10 "GAS" 230V 1N CKM	
						From S/N :
						N°: 602402P00

# SPECIFIC "GAS"

## GAS CONVECTION

## GAS BOILER (OPTION)

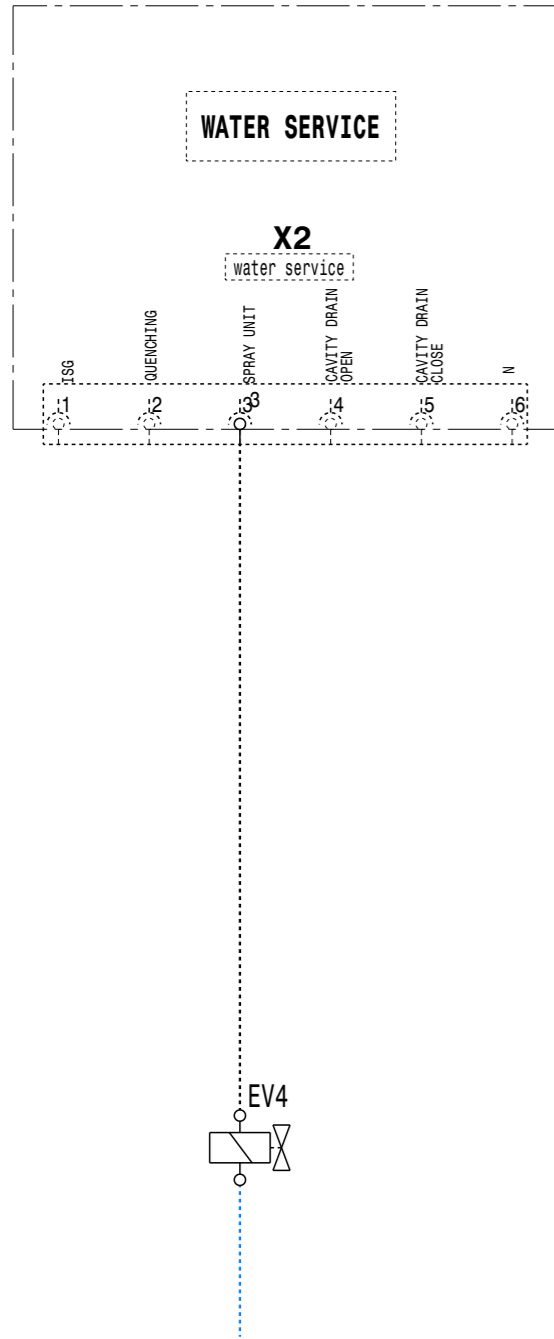


FAN1	COOLING FAN (FRONT PANNEL)	EV1	HUMIDIF. ELEC. VALVE	BV3	CAV.DRAIN BALL VALVE	TSC	CAVITY SAFETY THERMOST.	EV7	CLEANING WATER FILL VALVE	EV11	DRAWER FILL VALVE
-	-	EV2	QUENCH. ELEC. VALVE	KC1	CAVITY 1 (HALF POWER)	-	-	M8	CLEANING PUMP	EV12	DRAWER DRAIN VALVE
-	-	EV4	SPRY UNIT ELEC. VALVE	KC2	CAVITY 2 (HALF POWER)	-	-	ELECTRIC DIAGRAM 6/10 "GAS" 230V 1N CKM		From S/N :	
										N°: 602402P00	

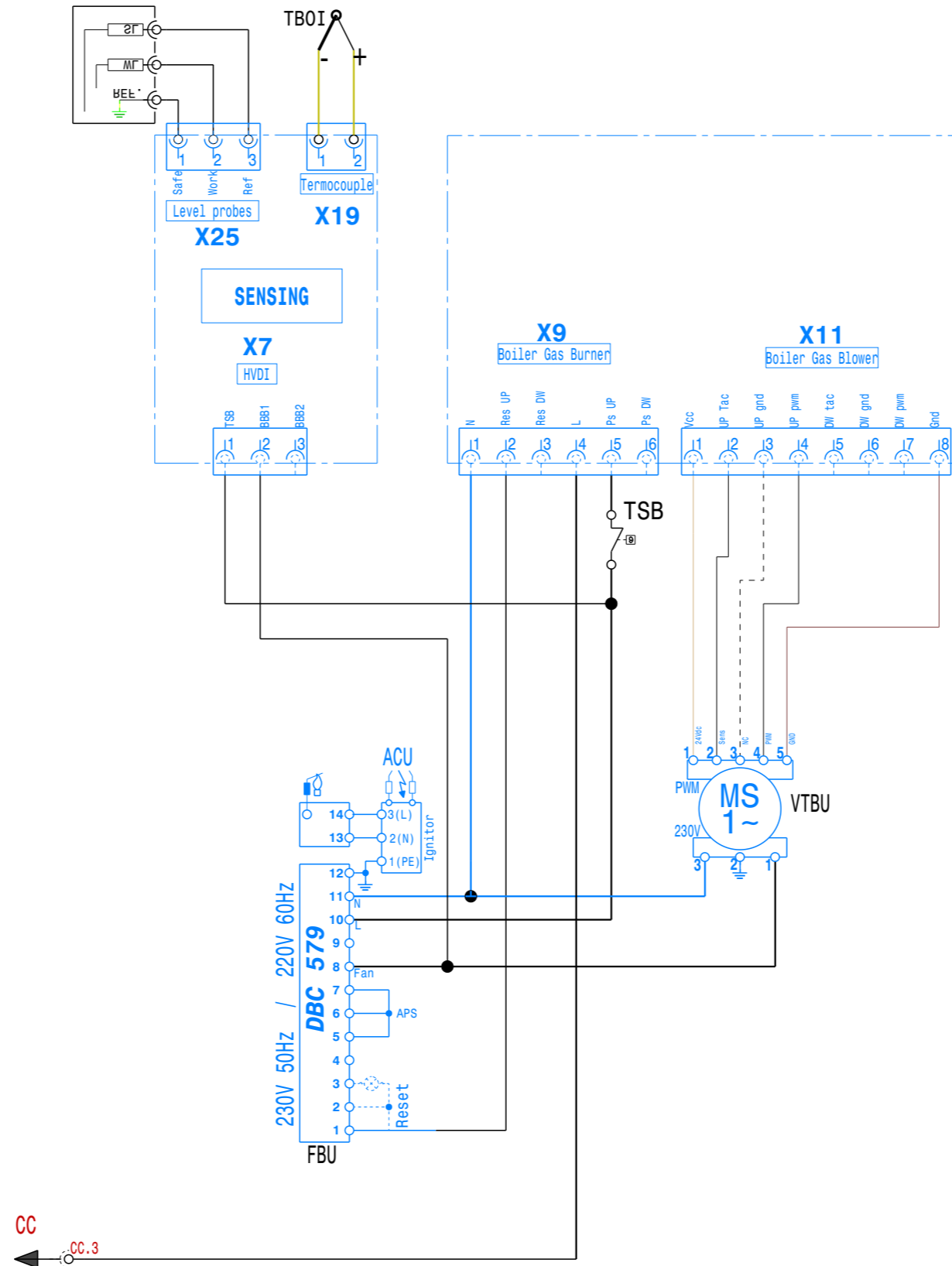


# OPTIONS "GAS"

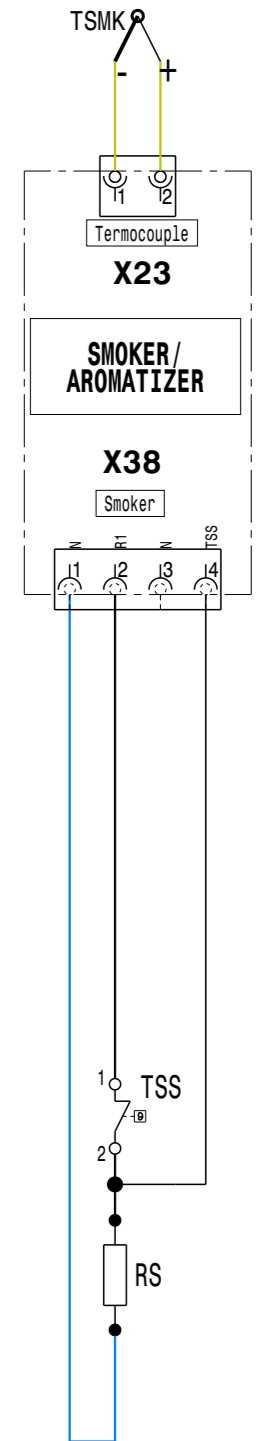
## SPRY UNIT



## GAS BOILER (OPTION)



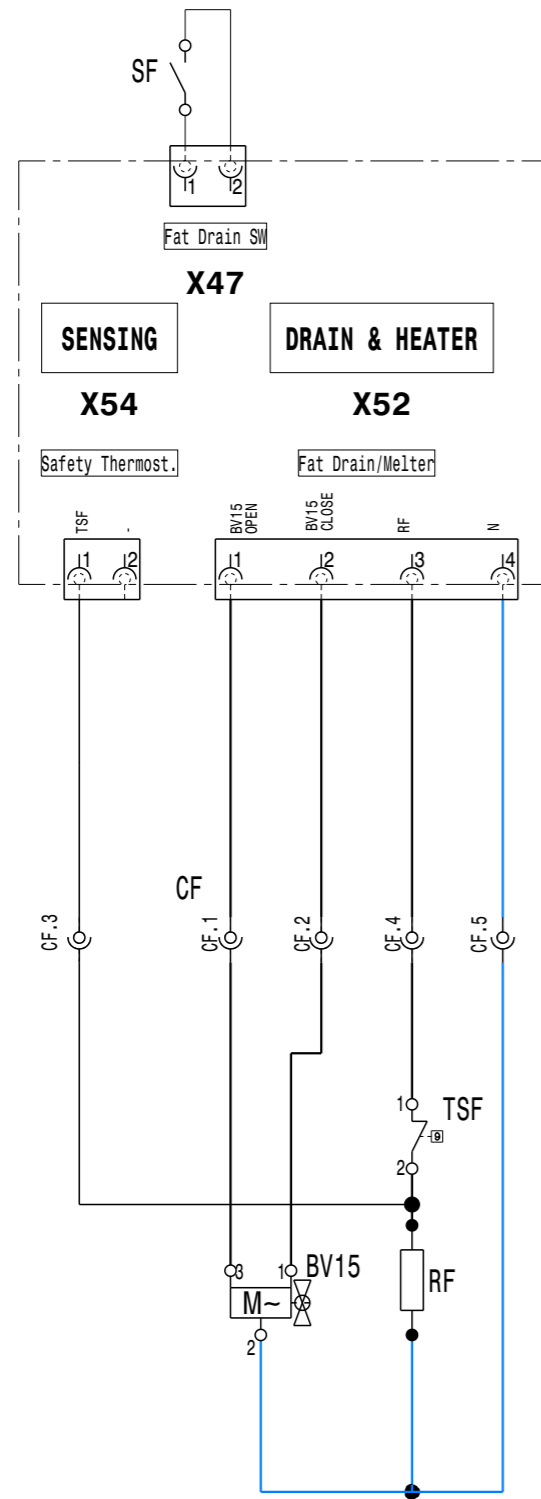
## SMOKER/AROMATIZER



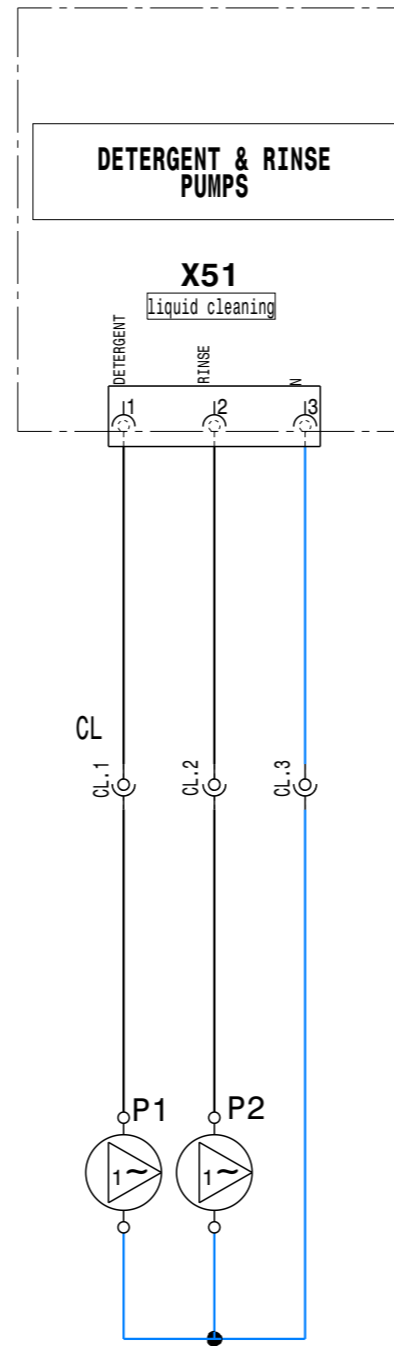
EV4	SPRAY UNIT	EV5	BOILER FILL VALVE	KB1	BOILER 1 (HALF POWER)	TSB	BOILER SAFETY THERMOSTAT	TSS	SMOKER SAFETY THERMOSTAT
-	-	EV10	BOILER CLEANING VALVE	KB2	BOILER 1 (HALF POWER)	-	-	RS	SMOKER HEAT ELEMET
-	-	BV6	BOILER DRAIN BALL VALVE	-	-	ELECTRIC DIAGRAM 6/10 "GAS" 230V 1N CKM		From S/N :	N°: 602402P00

# ACCESSORIES "GAS"

## FAT DRAIN SYSTEM



## CLEANING SYSTEM "LIQUID"



TSF FAT DRAIN SAFETY THERMOSTAT

BV15 FAT DRAIN BALL VALVE RF FAT DRAIN HEAT ELEMENT

P2 RINSE PUMP

P1 DETERGENT PUMP

MA-PP TERMINAL BLOCK PEAK POWER MANAGEMENT

ELECTRIC DIAGRAM 6/10 "GAS" 230V 1N CKM

From S/N :

N°: 602402P00