

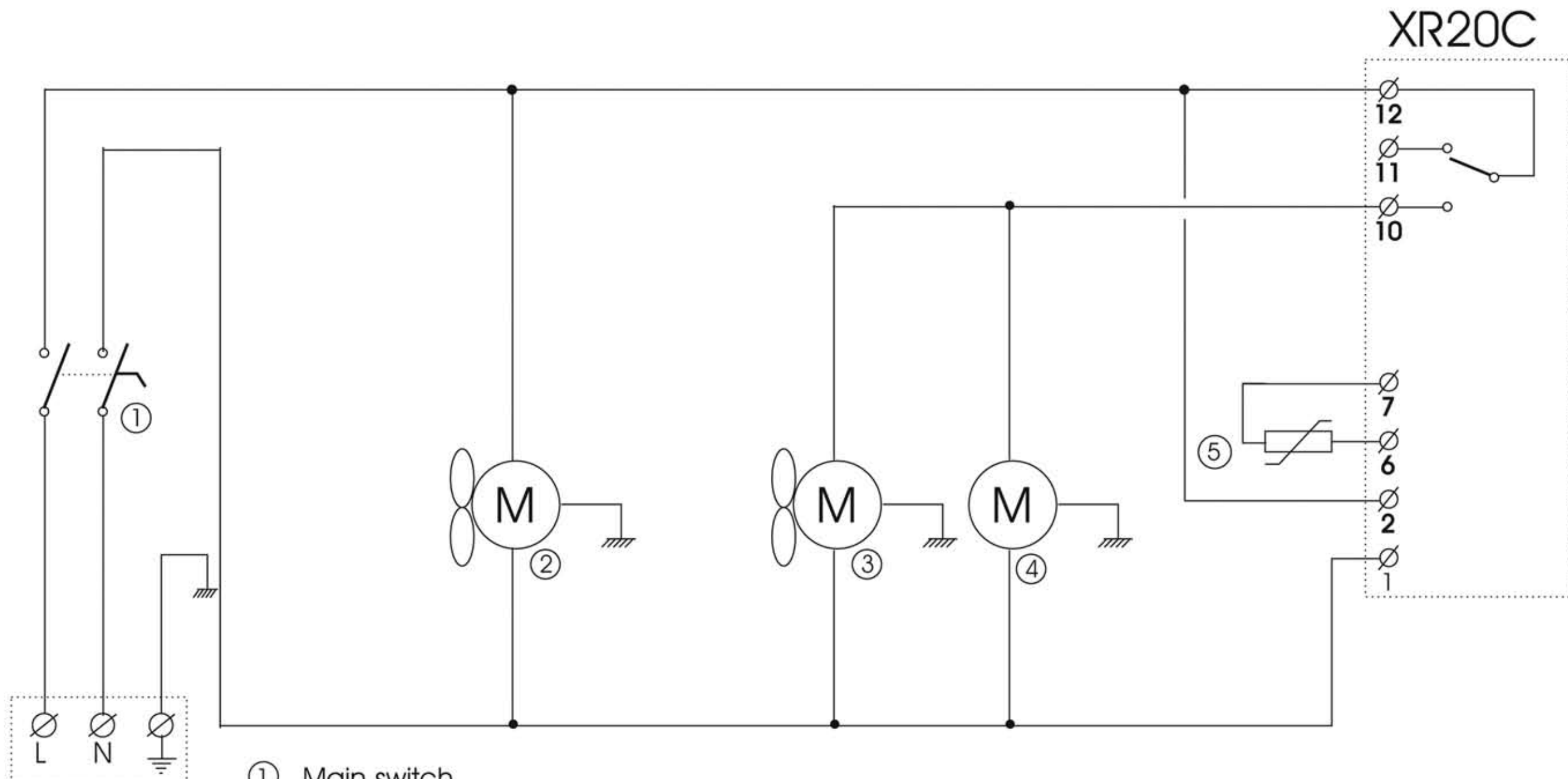
07/2018

# Mod: SB2/R2

Production code: 39130631000 / GSF10P



**Diamond**  
catering equipment



- ① Main switch
- ② Evaporator fan
- ③ Condenser fan
- ④ Compressor
- ⑤ Cabinet probe