

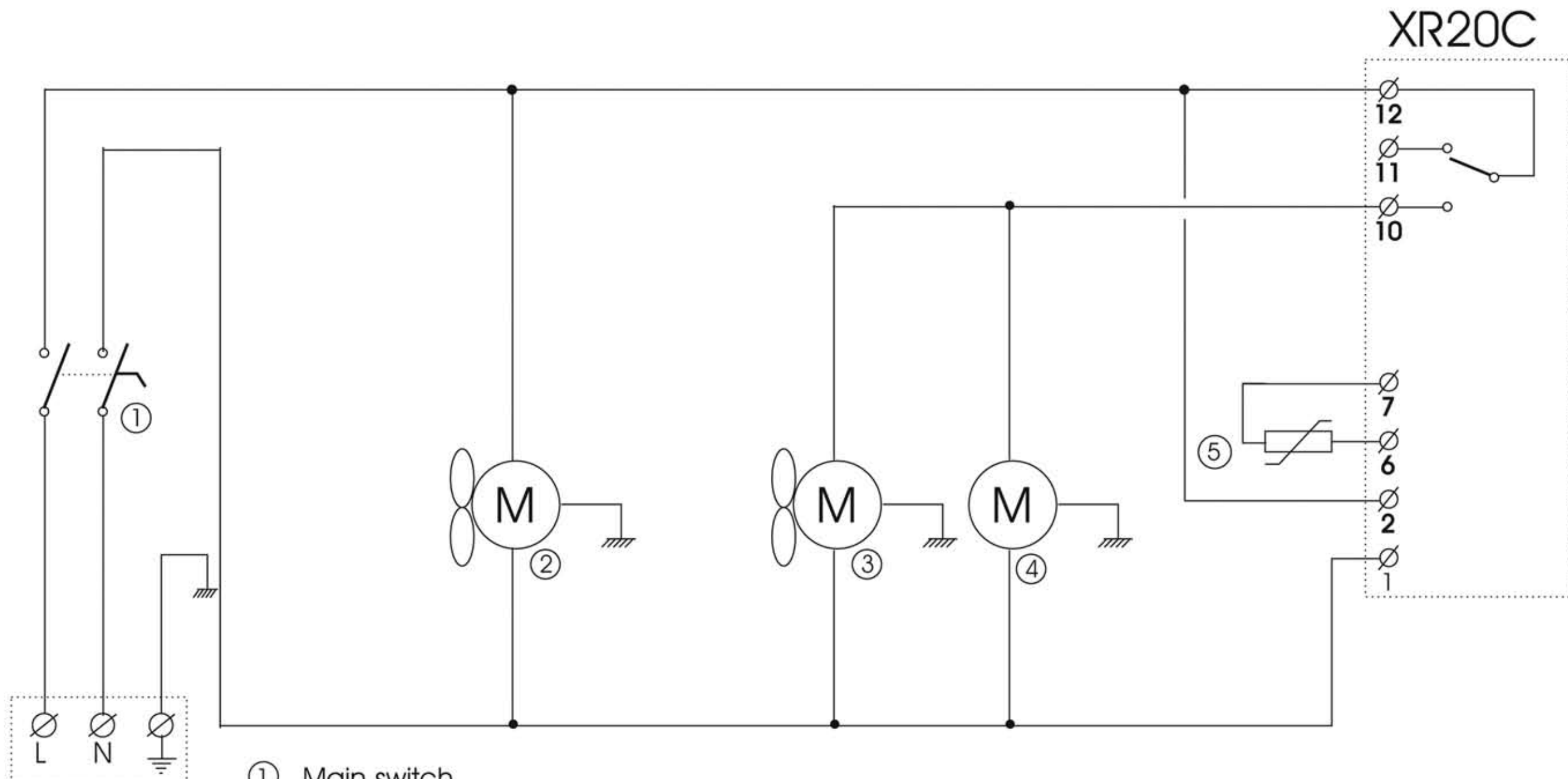
07/2018

# Mod: SAL3M/R6

Production code: 39130614000 / GS365I



**Diamond**  
catering equipment



- ① Main switch
- ② Evaporator fan
- ③ Condenser fan
- ④ Compressor
- ⑤ Cabinet probe