

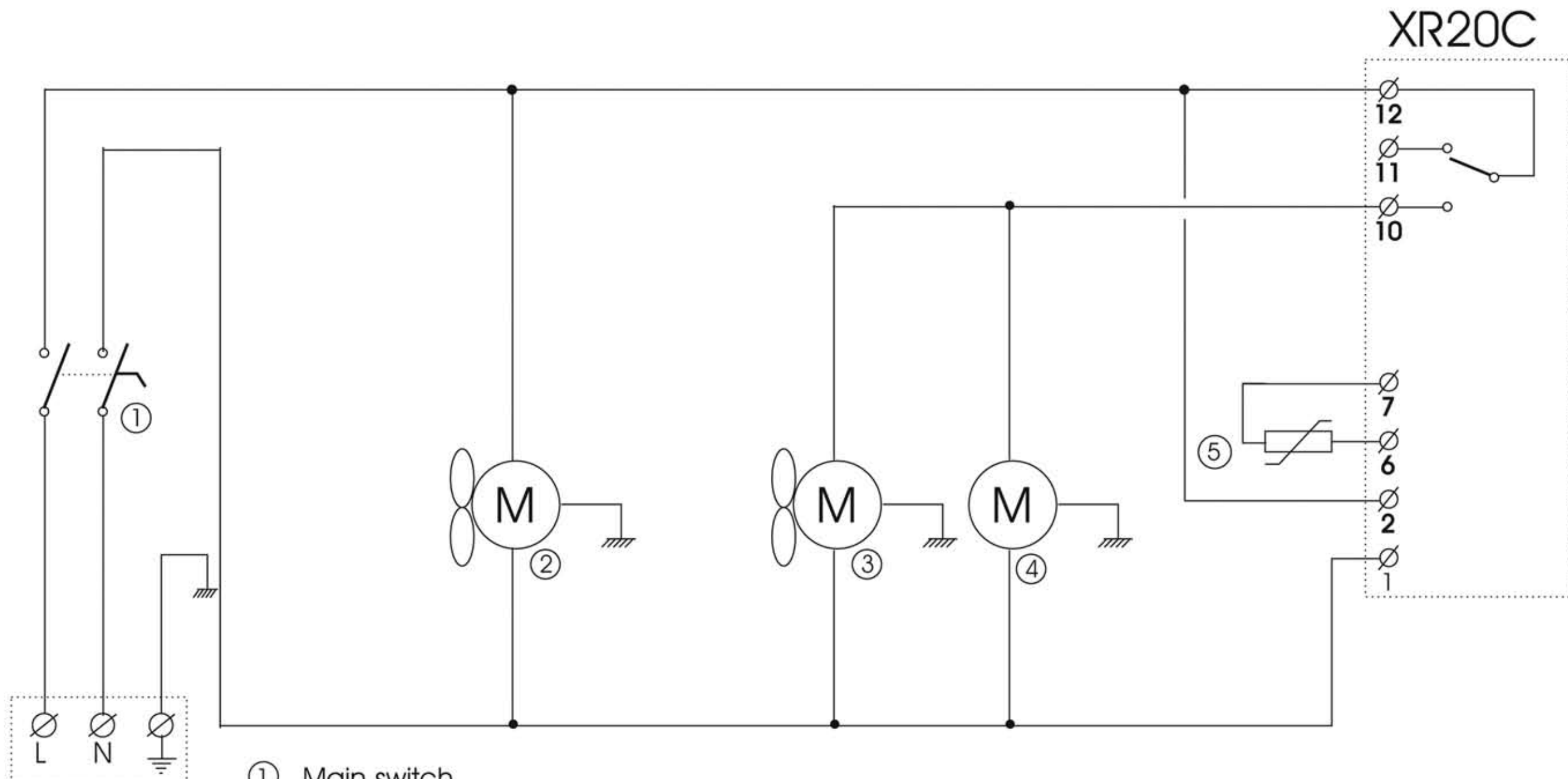
07/2018

Mod: SA3/R6

Production code: 39130617000 / GS365STI



Diamond
catering equipment



- ① Main switch
- ② Evaporator fan
- ③ Condenser fan
- ④ Compressor
- ⑤ Cabinet probe