

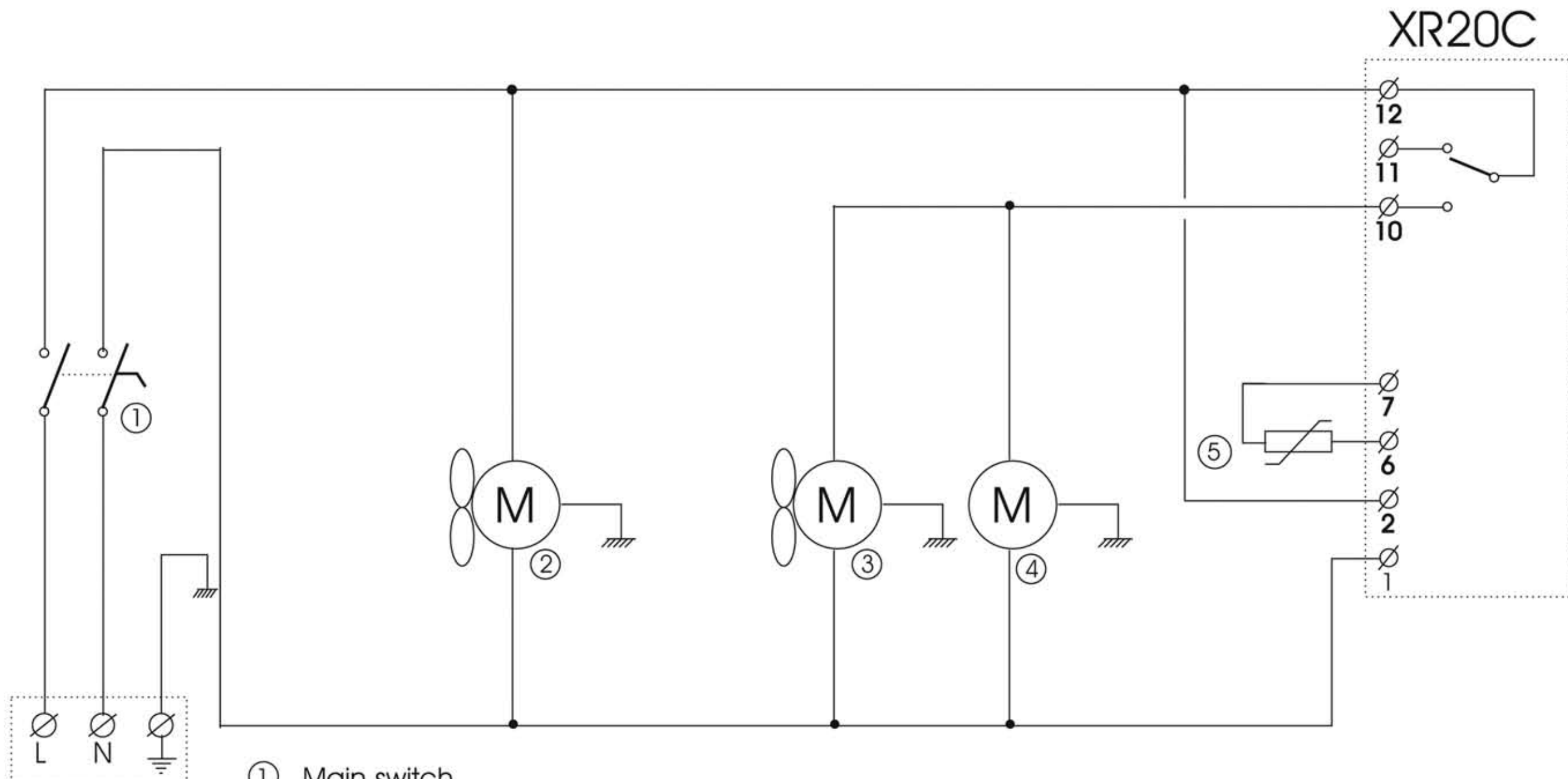
07/2018

# Mod: SA2/R6

Production code: 39130601000 / GS10I



**Diamond**  
catering equipment



- ① Main switch
- ② Evaporator fan
- ③ Condenser fan
- ④ Compressor
- ⑤ Cabinet probe