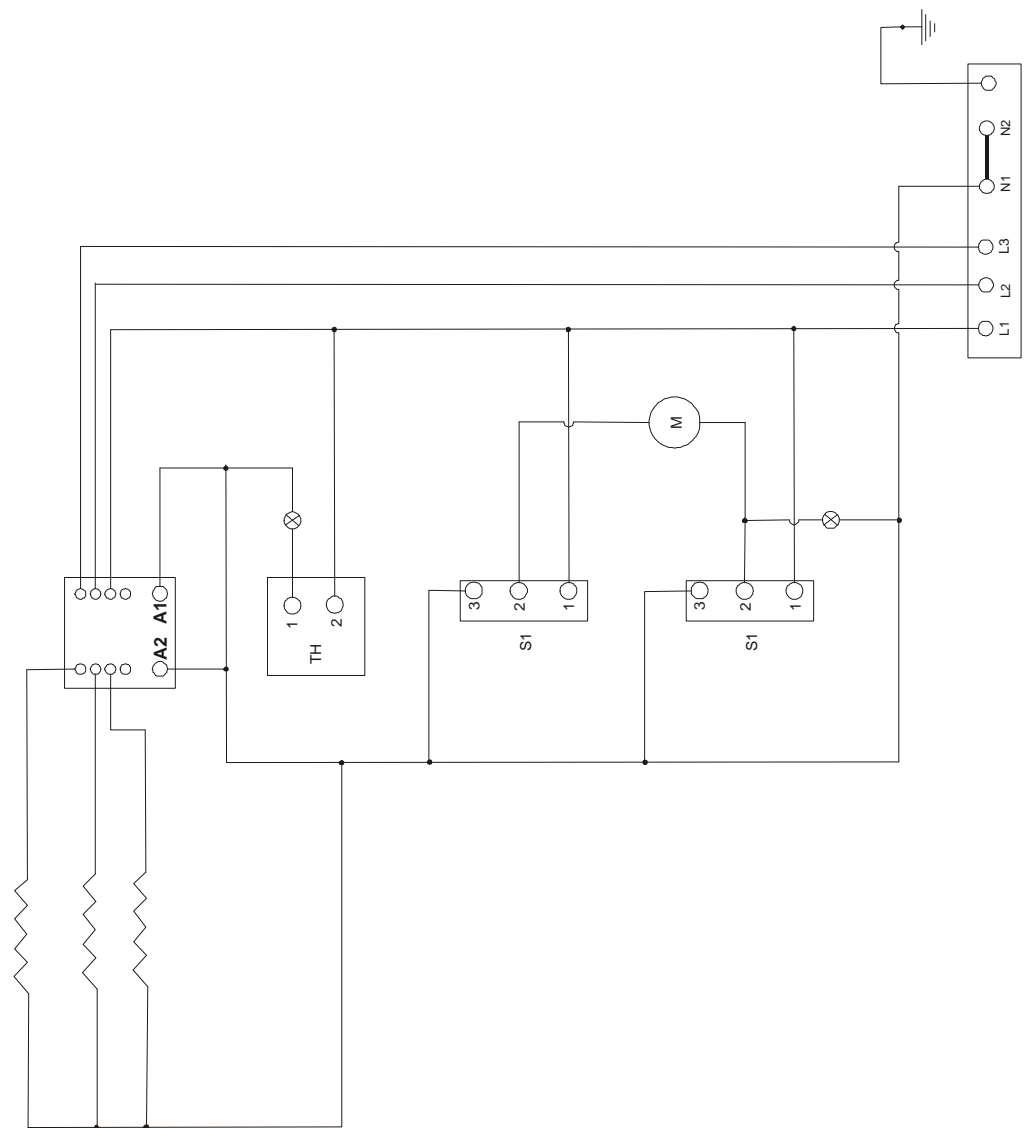


10/2007

Mod:ROTISKY

Production code:NHK4





		CHIKEN PLANITARY ROASTER	DATE 22/06/2007			
			ELECTRIC DIAGRAM INTERNAL CONNECTION			
			MODELS NHK4		No1	