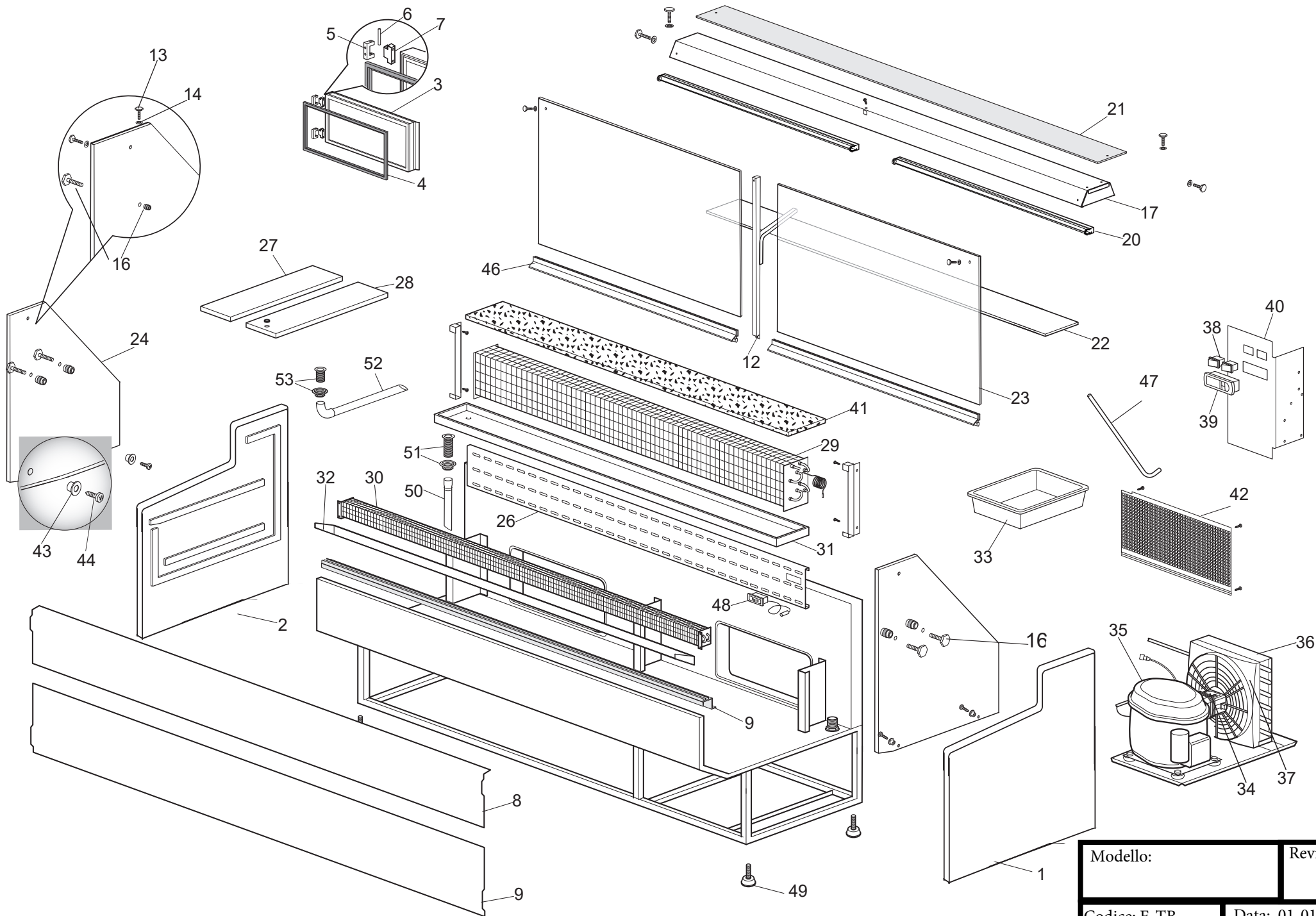


08/2021

# **Mod: RO10/E8-R2**

**Production code: TB100PSSG110H**



Modello:	Revisione:
Codice: E-TB	00
Data: 01-01-2020	