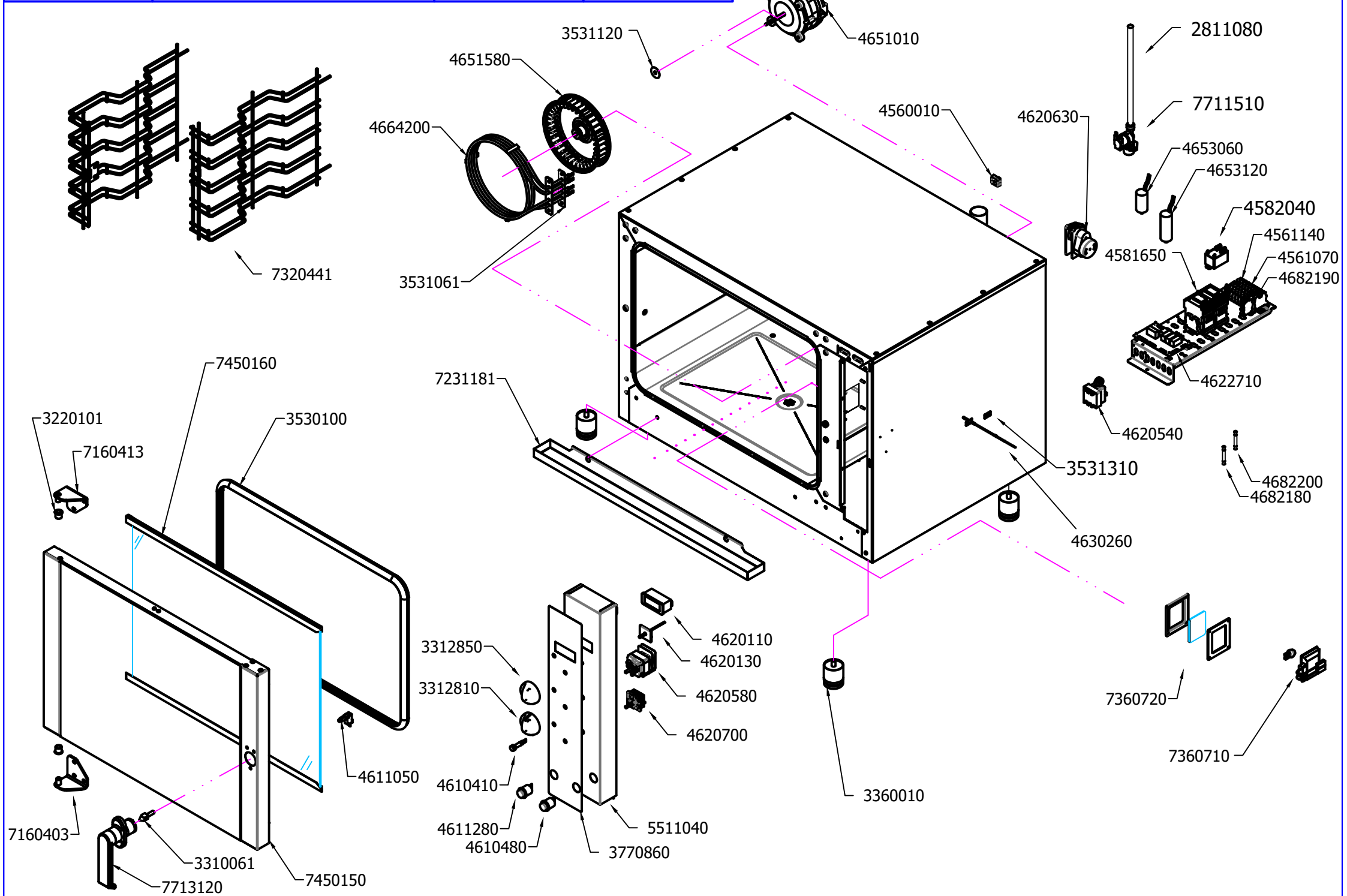


07/2021

Mod:PFE-102/S

Production code: EQ-SME910-HS/DI

Codice / Code 81405700	Modello / Modell EQ-SME905-HS/DI	Da matricola / From serial number	A matricola / To serial number CURRENT VERSION
---------------------------	-------------------------------------	-----------------------------------	---



Data:	Cod. esploso	EQ-SME905-HS/DI				FROM DATE	TO DATE	EQ-SME905-HS/DI
05/03/2021	81405700							
Codice	Descrizione	Description EN	Description FR	Description DE	Consigliato		Q.tà	
3360010	PIEDINO	FOOT	PIED DU FOUR	FUB			4	
7711510	ELETTROVALVOLA	SOLENOID VALVE	ÉLÉCTROVANNE	ELEKTROVENTIL	<input checked="" type="checkbox"/>		1	
4560010	EQUIPOTENZIALE	EQUIPOTENTIAL	ÉQUIPONTENTIAL	EQUIPOTENTIAL			1	
4611280	INTERRUTTORE	SWITCH	INTERRUPTEUR	SWITCH	<input checked="" type="checkbox"/>		1	
2811080	TUBO ACQUA	WATER INJECTION PIPE	TUBE INJECTION	WASSERROHR			0,5 mt	
4651010	MOTORE	MOTOR	MOTEUR	MOTOR	<input checked="" type="checkbox"/>		1	
3531120	GUARNIZIONE MOTORE	GASKET FOR MOTOR SHAFT	JOINT ARBRE MOTEUR	DICHTUNG FÜR MOTORWELLE	<input checked="" type="checkbox"/>		1	
4664200	RESISTENZA	HEATING ELEMENT	RÉSISTANCE	HEIZUNGELEMENT	<input checked="" type="checkbox"/>		1	
3531061	GUARNIZIONE RESISTENZA	HEATING ELEMENT GASKET	RÉSISTANCE JOINT D'ÉTANCHÉITÉ	DICHTUNG HEIZUNGELEMENT	<input checked="" type="checkbox"/>		1	
4651580	VENTOLA	FAN	VENTILATEUR	LÜFTER			1	
3530100	GUARNIZIONE CAMERA	COOKING CHAMBER GASKET	JOINT CHAMBRE DE CUISSON	TÜRDICHTUNG	<input checked="" type="checkbox"/>		1	
4611050	MICROPORTA	MICRO-SWITCH	MICRO PORTE	MIKROTÜR	<input checked="" type="checkbox"/>		1	
7320441	PORTATEGLIE	TRAY-SLIDES	GLISSIÈRES	EINSCHUBSCHANIENEN			2	
7231181	BACINELLA	BASIN	BASSIN	BECKEN			1	
7160403	CERNIERA DESTRA	HINGE RIGHT	CHARNIÈRE DROIT	SCHARNIER RECHTS			1	
7160413	CERNIERA SINISTRA	HINGE LEFT	CHARNIÈRE GAUCHE	SCHARNIER LINKS			1	
7450150	VETRO ESTERNO	EXTERNAL GLASS	VERRE EXTÉRIEURE	AUSSENGLASS			1	
7450160	VETRO INTERNO	INTERNAL GLASS	VERRE INTÉRIEURE	INNENGLASS			1	
3310061	ASS. NASELLO PORTA	HANDLE LOCKING 1 STEP	GACHE POUR POIGNEE 1 STEP	TÜRHÜFTE	<input checked="" type="checkbox"/>		1	
3220101	BOCCOLA CERNIERA	HINGE BUSHING	BAGUE CHARNIÈRE	SCHARNIERHHÜLSE			2	
5511040	CRUSCOTTO	CONTROL PANEL	PANNEAU DE COMMANDE	SCHALTТАFEL			1	
3770860	MASCHERINA	MASK	MASQUER	MASKE			1	
4610410	LAMPADA ARANCIO	ORANGE LIGHT	LUMIÈRE ORANGE	ORANGE LICHT	<input checked="" type="checkbox"/>		3	
4620580	TIMER	TIMER	MINUTERIE	TIMER	<input checked="" type="checkbox"/>		1	
4620700	REGOLATORE ACQUA	WATER REGULATOR	RÉGULATEUR D'EAU	WASSERREGLER	<input checked="" type="checkbox"/>		1	
3312810	MANOPOLA CON INDICE	KNOB WITH INDEX	MANETTE AVEC INDEX	KNOPF MIT INDEX	<input checked="" type="checkbox"/>		2	
3312850	MANOPOLA	KNOB	MANETTE	KNOPF	<input checked="" type="checkbox"/>		1	
4581650	CONTATTORE	CONTACTOR	CONTACTEUR	KONTAKTOR			2	
4582040	RELE'	RELAY	RELAIS	RELE	<input checked="" type="checkbox"/>		1	
4611280	INTERRUTTORE	SWITCH	INTERRUPTEUR	SWITCH	<input checked="" type="checkbox"/>		1	
4620110	DISPLAY	DISPLAY	AFFICHAGE	ANZEIGE	<input checked="" type="checkbox"/>		1	
4610480	PULSANTE	BUTTON	BOUTON	TASTE	<input checked="" type="checkbox"/>		1	
4620130	ENCODER	ENCODER	ENCODER	ENCODER	<input checked="" type="checkbox"/>		1	
4622710	SCHEDA	CARD	CARTE	KARTE	<input checked="" type="checkbox"/>		1	
4630260	SONDA CELLA	TEMPERATURE PROBE	SONDE DE TEMPÉRATURE	SONDE	<input checked="" type="checkbox"/>		1	
4653060	CONDENSATORE 6,3mF	CAPACITOR 6,3mF	CONDENSATEUR 6,3mF	KONDENSATOR 6,3mF	<input checked="" type="checkbox"/>		1	
4653120	CONDENSATORE 12,5mF	CAPACITOR 12,5mF	CONDENSATEUR 12,5mF	KONDENSATOR 12,5mF	<input checked="" type="checkbox"/>		1	
4561140	MORSETTO MODULARE GIALLO/VERDE	MODULAR CLAMP YELLOW/GREEN	PINCE MODULAIRE JAUNE/VERT	MODULARE KLEMME GELB/GRÜN	<input checked="" type="checkbox"/>		1	
4561070	MORSETTO MODULARE	MODULAR CLAMP	PINCE MODULAIRE	MODULARE KLEMME	<input checked="" type="checkbox"/>		1	
4682190	PORTAFUSIBILE	TERMINAL FOR FUSE	BORNE PORTEFUSIBLE	SICHERUNGSHALTERKLEMME	<input checked="" type="checkbox"/>		1	
4682180	FUSIBILE 5X20F 1A	FUSE 1A 5X20F	FUSIBLE 1A 5X20F	SCHMELZSICHERUNG 1A 5X20F	<input checked="" type="checkbox"/>		1	
4682200	FUSIBILE 5X20F 12A	FUSE 12A 5X20F	FUSIBLE 12A 5X20F	SCHMELZSICHERUNG 12A 5X20F	<input checked="" type="checkbox"/>		1	
7713120	MANIGLIA PORTA	DOOR HANDLE	POIGNÉE DE PORTE	TÜRGRIF			1	
3531310	GUARNIZIONE SONDA	TEMPERATURE PROBE GASKET	SONDE JOINT D'ÉTANCHÉITÉ	DICHTUNG SONDA	<input checked="" type="checkbox"/>		1	
4620540	TERM SICUREZZA	SAFETY THERMOSTAT	THERMOSTAT DE SÉCURITÉ	SICHERHEIT THERMOSTAT	<input checked="" type="checkbox"/>		1	