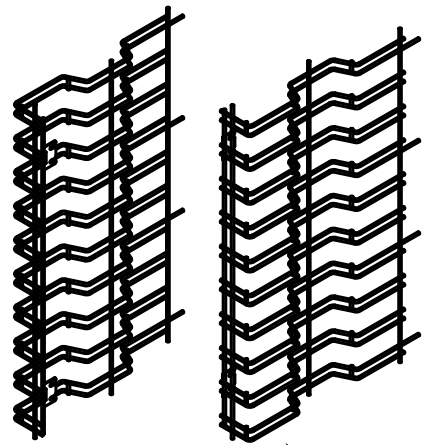


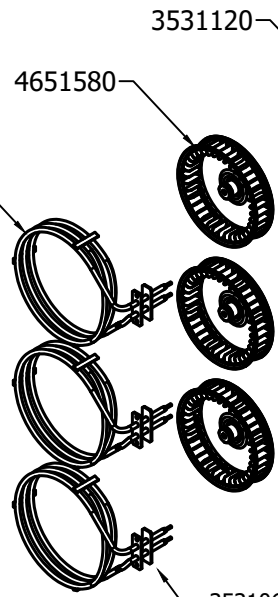
07/2021

Mod: PFE-102/S

Production code: EQ-SME910-HS/DI



7320461



3531120

4651580

4664042

3531061

4651010



2811080

7711520

4620630

4560010

4653120

4653060

3530120

7450200

7160413

3220101

7231181

4611050

3531310

4581710

4581690

4582040

4561140

4561070

4682190

4622710

4630260

4620540

4682200

4682180

7450190

7160403

7713120

3310061

3312850

3312810

4610410

4611280

4610480

4611310

4620110

4620130

4620580

4620700

5511050

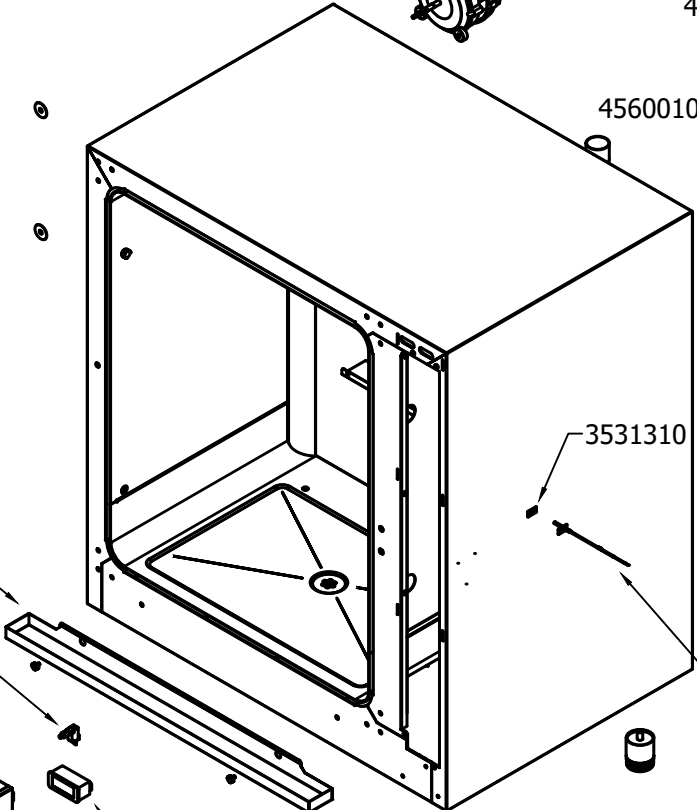
3770890

4611280

3360010

7360720

7360710



Data:	Cod. esploso	EQ-SME910-HS/DI				FROM DATE	TO DATE	EQ-SME910-HS/DI
05/03/2021	81405800							
Codice	Descrizione	Description EN	Description FR	Description DE	Consigliato		Q.tà	
3360010	PIEDINO	FOOT	PIED DU FOUR	FUB			4	
7711520	ELETTROVALVOLA	SOLENOID VALVE	ÉLECTROVANNE	ELEKTROVENTIL	<input checked="" type="checkbox"/>		1	
4560010	EQUIPOTENZIALE	EQUIPOTENTIAL	ÉQUIPOTENTIAL	EQUIPOTENTIAL			1	
4611280	INTERRUTTORE	SWITCH	INTERRUPTEUR	SWITCH	<input checked="" type="checkbox"/>		2	
2811080	TUBO ACQUA	WATER INJECTION PIPE	TUBE INJECTION	WASSERROHR			2 MT	
4651010	MOTORE	MOTOR	MOTEUR	MOTOR	<input checked="" type="checkbox"/>		3	
3531120	GUARNIZIONE MOTORE	GASKET FOR MOTOR SHAFT	JOINT ARBRE MOTEUR	DICHTUNG FÜR MOTORWELLE	<input checked="" type="checkbox"/>		3	
4664042	RESISTENZA	HEATING ELEMENT	RÉSISTANCE	HEIZUNGELEMENT	<input checked="" type="checkbox"/>		3	
3531061	GUARNIZIONE RESISTENZA	HEATING ELEMENT GASKET	RÉSISTANCE JOINT D'ÉTANCHÉITÉ	DICHTUNG HEIZUNGELEMENT	<input checked="" type="checkbox"/>		3	
4651580	VENTOLA	FAN	VENTILATEUR	LÜFTER			3	
3530120	GUARNIZIONE CAMERA	COOKING CHAMBER GASKET	JOINT CHAMBRE DE CUISSON	TÜRDICHTUNG	<input checked="" type="checkbox"/>		1	
4611050	MICROPORTA	MICRO-SWITCH	MICRO PORTE	MIKROTÜR	<input checked="" type="checkbox"/>		1	
7320461	PORTATEGLIE	TRAY-SLIDES	GLISSIÈRES	EINSCHUBSCHINIENEN			2	
7231181	BACINELLA	BASIN	BASSIN	BECKEN			1	
7160403	CERNIERA DESTRA	HINGE RIGHT	CHARNIÈRE DROIT	SCHARNIER RECHTS			1	
7160413	CERNIERA SINISTRA	HINGE LEFT	CHARNIÈRE GAUCHE	SCHARNIER LINKS			1	
7450190	VETRO ESTERNO	EXTERNAL GLASS	VERRE EXTÉRIEURE	AUSSENGLASS			1	
7450200	VETRO INTERNO	INTERNAL GLASS	VERRE INTÉRIEURE	INNENGLASS			1	
3310061	ASS. NASELLO PORTA	HANDLE LOCKING 1 STEP	GACHE POUR POIGNEE 1 STEP	TÜRHÜFTE	<input checked="" type="checkbox"/>		1	
3220101	BOCCOLA CERNIERA	HINGE BUSHING	BAGUE CHARNIÈRE	SCHARNIERHÜLSE			2	
5511050	CRUSCOTTO	CONTROL PANEL	PANNEAU DE COMMANDE	SCHALTТАFEL			1	
3770890	MASCHERINA	MASK	MASQUER	MASKE			1	
4610410	LAMPADA ARANCIO	ORANGE LIGHT	LUMIÈRE ORANGE	ORANGE LICHT	<input checked="" type="checkbox"/>		3	
4620580	TIMER	TIMER	MINUTERIE	TIMER	<input checked="" type="checkbox"/>		1	
4620700	REGOLATORE ACQUA	WATER REGULATOR	RÉGULATEUR D'EAU	WASSERREGLER	<input checked="" type="checkbox"/>		1	
3312810	MANOPOLA CON INDICE	KNOB WITH INDEX	MANETTE AVEC INDEX	KNOPF MIT INDEX	<input checked="" type="checkbox"/>		2	
3312850	MANOPOLA	KNOB	MANETTE	KNOPF	<input checked="" type="checkbox"/>		1	
4581710	CONTATTORE	CONTACTOR	CONTACTEUR	KONTAKTOR			1	
4581690	CONTATTORE	CONTACTOR	CONTACTEUR	KONTAKTOR			1	
4582040	RELE'	RELAY	RELAIS	RELE	<input checked="" type="checkbox"/>		1	
4620110	DISPLAY	DISPLAY	AFFICHAGE	ANZEIGE	<input checked="" type="checkbox"/>		1	
4610480	PULSANTE	BUTTON	BOUTON	TASTE	<input checked="" type="checkbox"/>		1	
4620130	ENCODER	ENCODER	ENCODER	ENCODER	<input checked="" type="checkbox"/>		1	
4622710	SCHEDA	CARD	CARTE	KARTE	<input checked="" type="checkbox"/>		1	
4630260	SONDA CELLA	TEMPERATURE PROBE	SONDE DE TEMPÉRATURE	SONDE	<input checked="" type="checkbox"/>		1	
4653060	CONDENSATORE 6,3mF	CAPACITOR 6,3mF	CONDENSATEUR 6,3mF	KONDENSATOR 6,3mF	<input checked="" type="checkbox"/>		3	
4653120	CONDENSATORE 12,5mF	CAPACITOR 12,5mF	CONDENSATEUR 12,5mF	KONDENSATOR 12,5mF	<input checked="" type="checkbox"/>		3	
4561140	MORSETTO MODULARE GIALLO/VERDE	MODULAR CLAMP YELLOW/GREEN	PINCE MODULAIRE JAUNE/VERT	MODULARE KLEMME GELB/GRÜN	<input checked="" type="checkbox"/>		1	
4561070	MORSETTO MODULARE	MODULAR CLAMP	PINCE MODULAIRE	MODULARE KLEMME	<input checked="" type="checkbox"/>		5	
4682190	PORTAFUSIBILE	TERMINAL FOR FUSE	BORNE PORTEFUSIBLE	SICHERUNGSHALTERKLEMME	<input checked="" type="checkbox"/>		2	
4682180	FUSIBILE 5X20F 1A	FUSE 1A 5X20F	FUSIBLE 1A 5X20F	SCHMELZSICHERUNG 1A 5X20F	<input checked="" type="checkbox"/>		1	
4682200	FUSIBILE 5X20F 12A	FUSE 12A 5X20F	FUSIBLE 12A 5X20F	SCHMELZSICHERUNG 12A 5X20F	<input checked="" type="checkbox"/>		1	
7713120	MANIGLIA PORTA	DOOR HANDLE	POIGNÉE DE PORTE	TÜRGRIF			1	
3531310	GUARNIZIONE SONDA	TEMPERATURE PROBE GASKET	SONDE JOINT D'ÉTANCHÉITÉ	DICHTUNG SONDA	<input checked="" type="checkbox"/>		1	
4620540	TERM SICUREZZA	SAFETY THERMOSTAT	THERMOSTAT DE SÉCURITÉ	SICHERHEIT THERMOSTAT	<input checked="" type="checkbox"/>		1	
7360710	LAMPADA	LAMP	LAMPE	LAMPE	<input checked="" type="checkbox"/>		2	
7360720	VETRO LAMPADA	BULB GLASS	VERRE LAMPE	GLASLAMPE	<input checked="" type="checkbox"/>		2	
4620630	SFIATO ARIA	AIR VENT	ÉVENT D'AIR	LUFTENTLÜFTUNG	<input checked="" type="checkbox"/>		1	
4611310	COPERTURA INTERRUTTORE	SWITCH COVER	COUVERCLE DE COMMUTATEUR	SCHALTERABDECKUNG			3	