

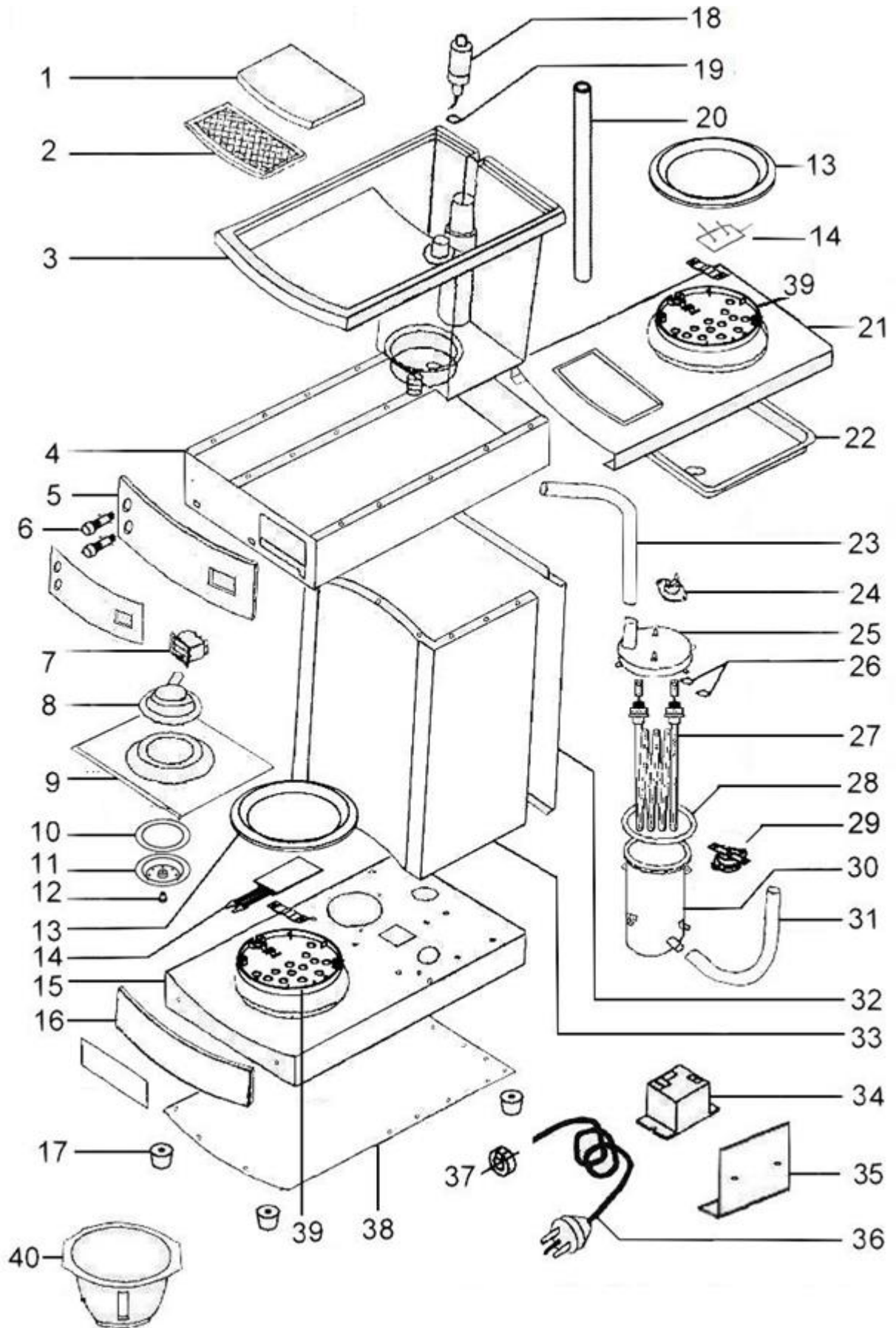
03/2021

# **Mod: PCF-S2/F**

**Production code: 6.0.145.0003**

**SEMIAUTOMATIC FILTER COFFEE BREWER****SEMIAUTOMATIC FILTER COFFEE BREWER PCF-S2/F – 6.0.145.0003**

|                            |                           |
|----------------------------|---------------------------|
| POWER                      | 1885 - 2243W              |
| POWER SUPPLY               | 220-240V~, 50/60Hz        |
| NET WEIGHT                 | 7.9Kg                     |
| DIMENSIONS (LxWxH)         | 196x360x430mm             |
| PACKAGE DIMENSIONS (LxWxH) | 240x460x475mm             |
| OBS                        | INCLUDES 2 JUGS (1,8 Lts) |



| <b>Nº</b> | <b>DESIGNATION</b>          |
|-----------|-----------------------------|
| 1         | LID OF RESERVOIR            |
| 2         | GRILL RESERVOIR             |
| 3         | RESERVOIR                   |
| 4         | UPPER FRAME                 |
| 5         | INDICATE PANEL              |
| 6         | * INDICATION LAMP GEEN      |
| 6         | * INDICATION LAMP ORANGE    |
| 7         | * POWER SWITCH TWIN         |
| 8         | SPRINKLER                   |
| 9         | SPRINKLER COVER             |
| 10        | SEALING WASHER OF SPRINKLER |
| 11        | SPRINKLER DISTRIBUTOR       |
| 12        | SUPPORT FRAME               |
| 13        | WARMING PLATE               |
| 14        | * MICA WARMER PLATE         |
| 15        | BASE FRAME                  |
| 16        | LOWER PANEL                 |
| 17        | BOTTOM HEEL                 |
| 18        | * FLOAT SWITCH              |
| 19        | SEALING WASHER OF FLOAT     |
| 20        | SPELLWAY TUBE (RESERVOIR)   |
| 21        | UPPER COVER                 |
| 22        | MIST PARTITION              |
| 23        | SILICON PIPE WATER IN       |
| 24        | * THERMOSTAT                |
| 25        | LID BOILER                  |
| 26        | SEALING WASHER OF HEATER    |
| 27        | * HEATING ELEMENT           |
| 28        | SEALING WASHER OF BOILER    |
| 29        | * MANUAL RESET THERMOSTAT   |
| 30        | BOILER TANK                 |
| 31        | SILICON PIPE WATER OUT      |
| 32        | REAR FRAME                  |
| 33        | BODY FRAME                  |
| 34        | * RELAY                     |
| 35        | RELAY HOLDER                |
| 36        | POWER CABLE + CORD          |
| 37        | POWER CABLE PROTECTOR       |
| 38        | BOTTOM COVER                |
| 39        | FEVER PARTITION             |
| 40        | S/S FILTER PAN              |