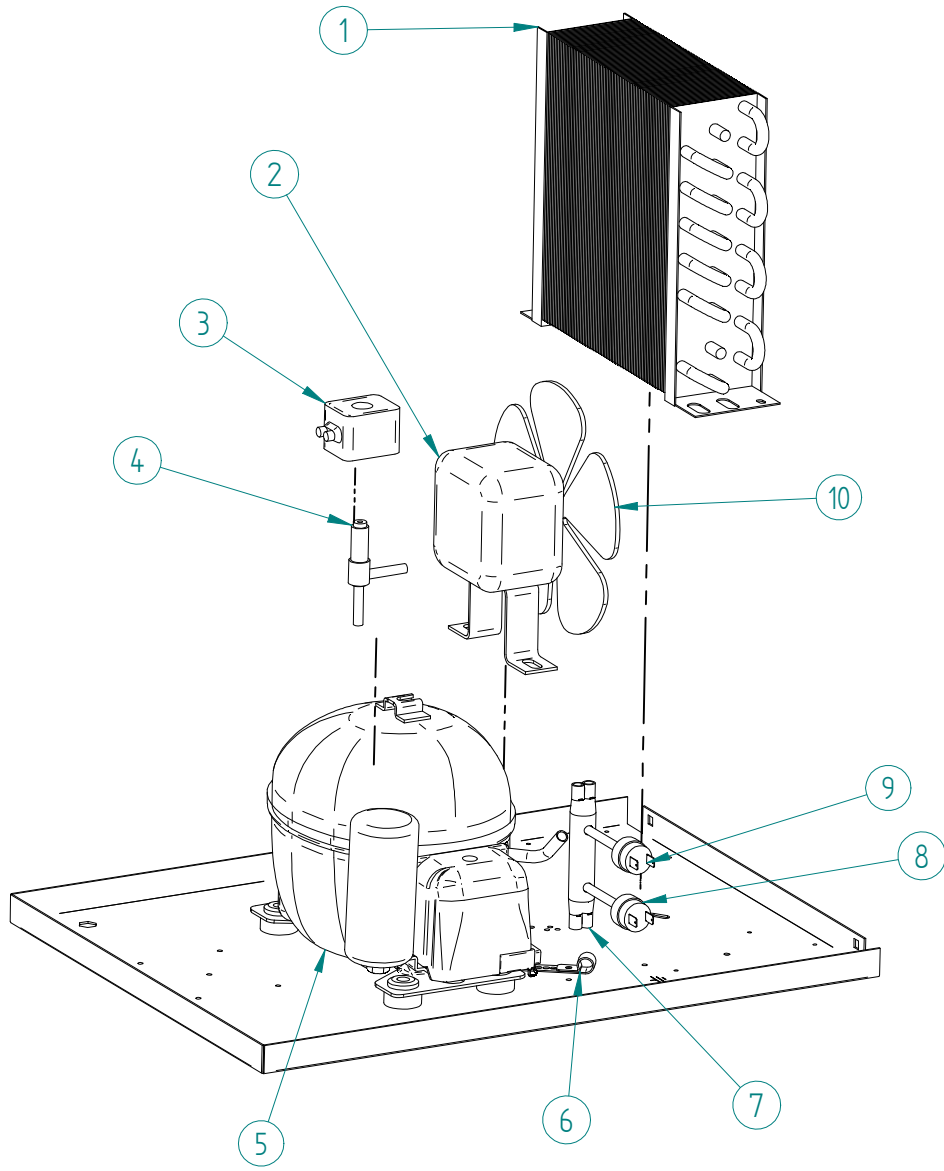


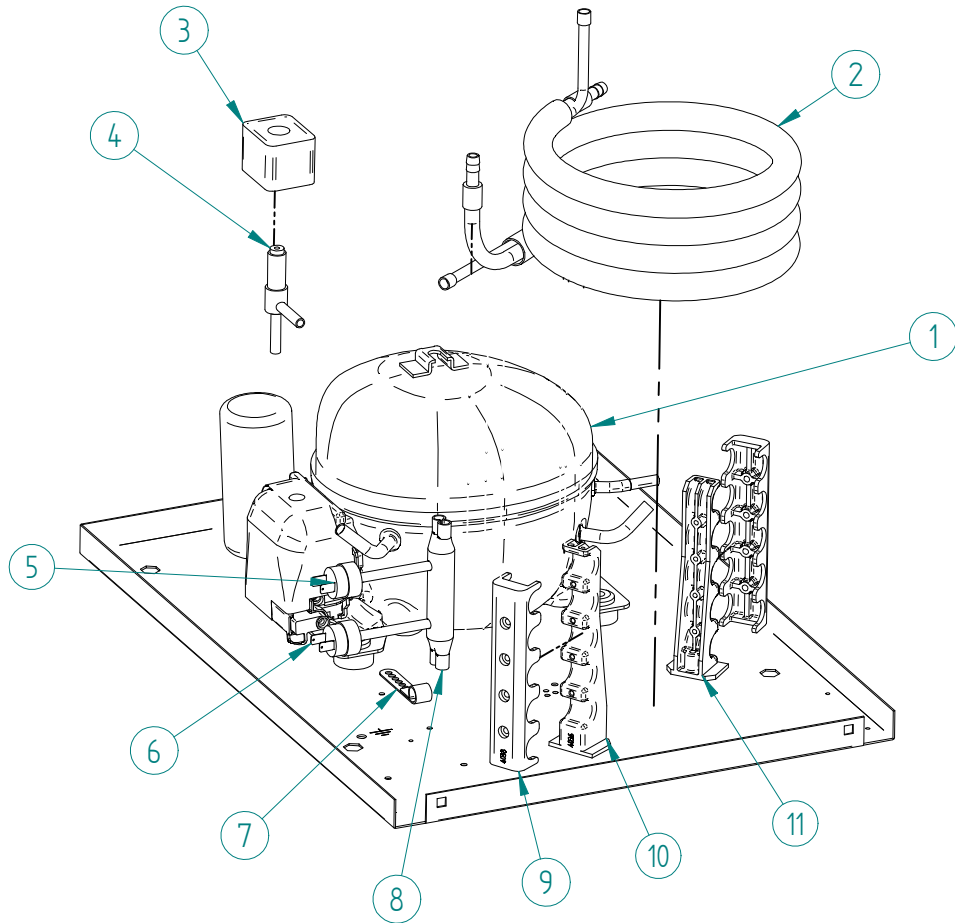
10/2021

Mod: WR-SP24-A/R2X

Production code: SPRAY SK 25A - 61282U

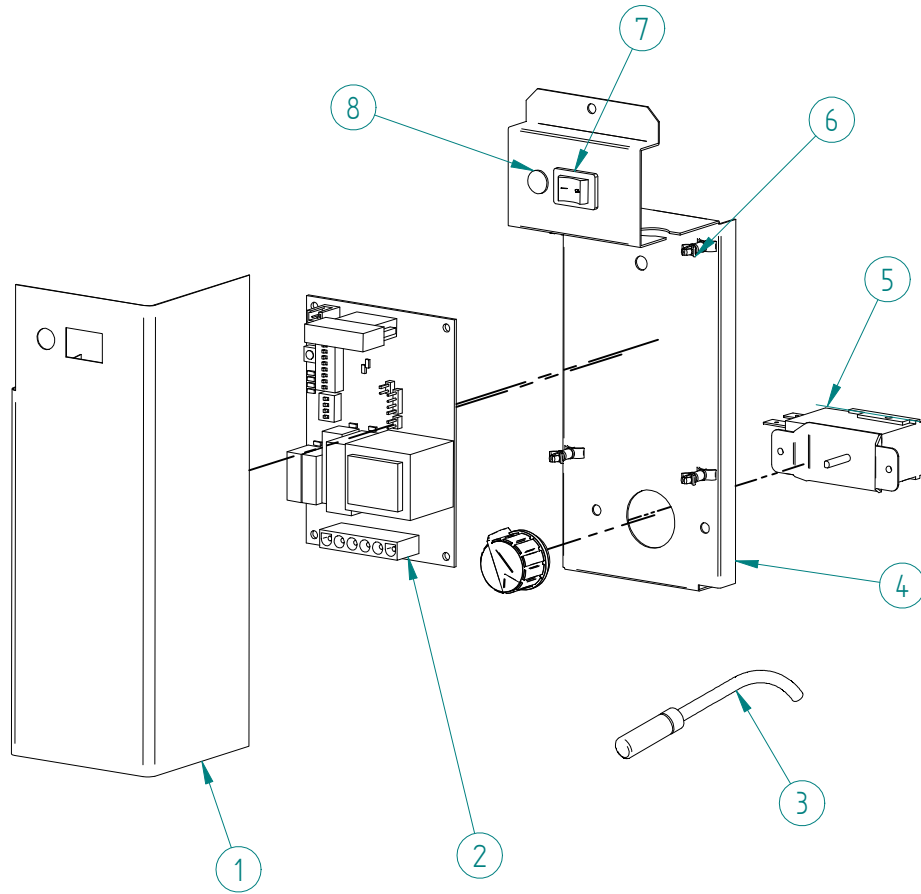


ITEM	DESCRIPTION	CODE
1	AIR CONDENSER	6907
2	FAN MOTOR	220V/50HZ 2170
3	HOT GAS VALVE - COIL	220V/50HZ 6906
4	HOT GAS VALVE - BODY	6904
5	COMPRESSOR	220V/50HZ 31301
6	CLIP TUBE	337
7	PRESSURE SWITCH COLLECTOR	31444
8	HIGH PRESSURE SWITCH	31660E
9	FAN CONTROL PRESSURE SWITCH	31160E
10	FAN BLADE	4887



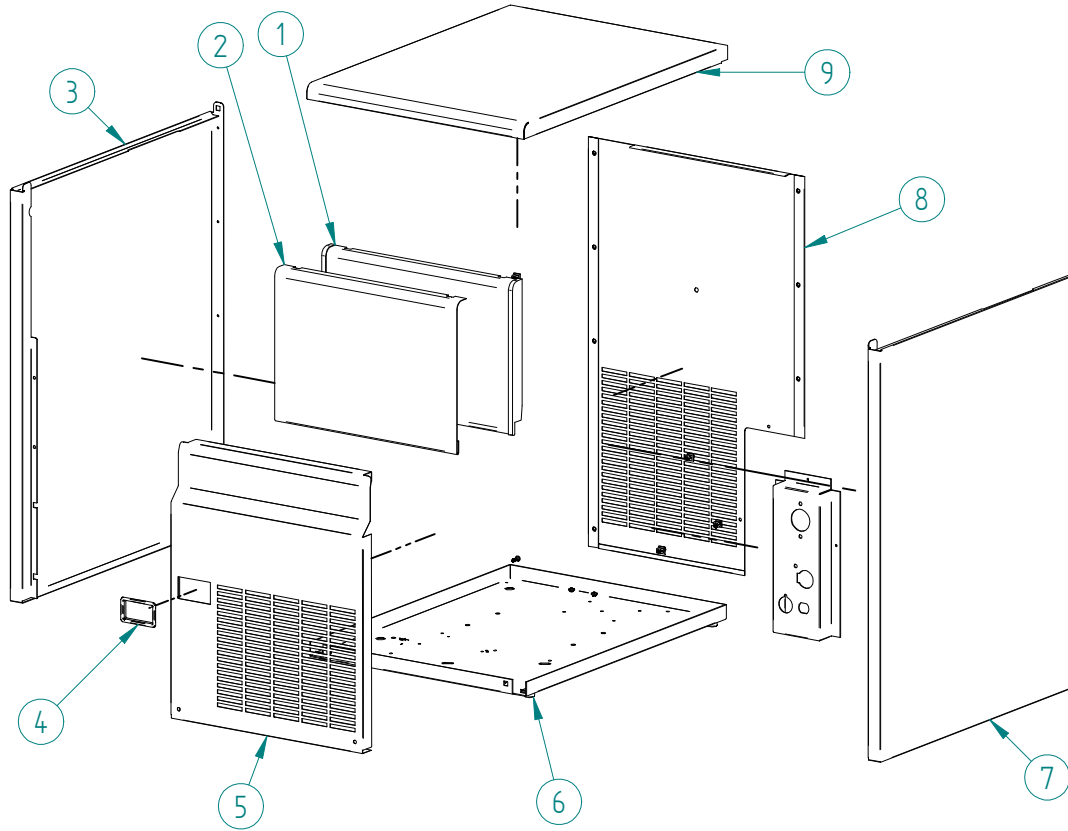
ITEM	DESCRIPTION		CODE
1	COMPRESSOR	220V/50HZ	31301
2	WATER CONDENSER		5224
3	HOT GAS VALVE - COIL	220V/50HZ	6906
4	HOT GAS VALVE - BODY		6904
5	FAN CONTROL PRESSURE SWITCH		31160E
6	HIGH PRESSURE SWITCH		31660E
7	CLIP TUBE		337
8	PRESSURE SWITCH COLLECTOR		31444
9	WATER CONDENSER EXTERNAL SUPPORT		4038
10	WATER CONDENSER LOWER SUPPORT		4037
11	WATER CONDENSER UPPER SUPPORT		4036

***SERIAL NUMBER MUST BE PROVIDED**



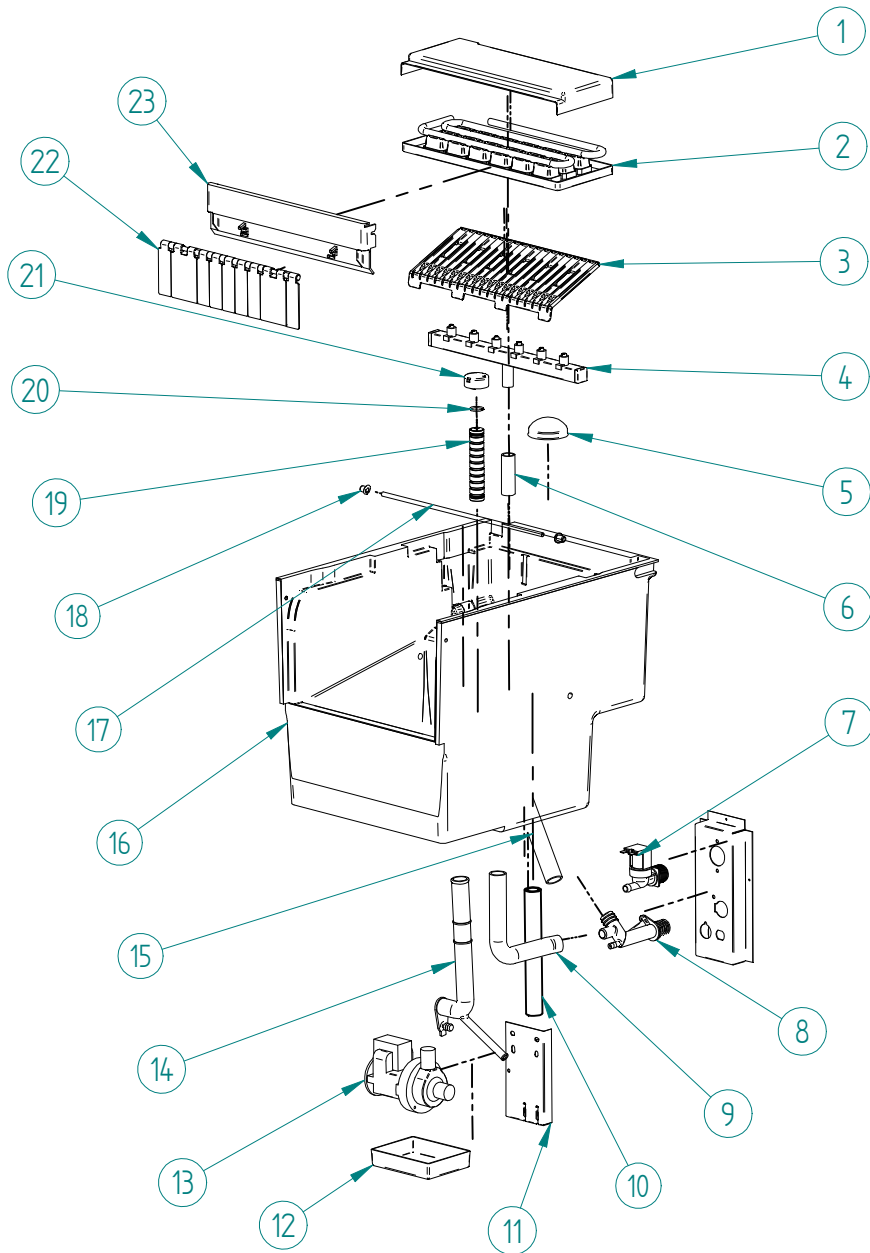
ITEM	DESCRIPTION	CODE
1	ELECTRIC BOX COVER*	8213U
2	ELECTRONIC BOARD 220V/50HZ	8143D
3	TEMPERATURE PROBE	3004
4	ELECTRIC BOX SUPPORT*	31826U
5	BIN THERMOSTAT	274
6	ELECTRONIC BOARD CLIP	31544
7	MAIN SWITCH*	32416
8	BLUE LED*	32415

*SERIAL NUMBER MUST BE PROVIDED



ITEM	DESCRIPTION	CODE
1	DOOR	853
2	DOOR COVER SS	30210
	DOOR COVER SK	4981
3	LEFT PANEL SS	2295
	LEFT PANEL SK	4915
4	MAIN SWITCH SUPPORT	32442
5	FRONT PANEL SS*	1933U
	FRONT PANEL SK*	4916U
6	LEGS	2171
7	RIGHT PANEL SS	2294
	RIGHT PANEL SK	4914
8	REAR COVER	1794
9	TOP PANEL SS	1925
	TOP PANEL SK	4917

***SERIAL NUMBER MUST BE PROVIDED**



ITEM	DESCRIPTION	CODE
1	EVAPORATOR COVER	1432
2	EVAPORATOR ALFA 16GR	6921
3	ICE CUBES RAMP	31114
4	SPRAY BAR	7333
5	FILTER	580
6	SPRAY BAR TUBE	993
7	INLET WATER VALVE 1B 220V/50HZ	6982
	INLET WATER VALVE 2B 220V/50HZ	6981+6959+4526
8	DRAIN FITTING	363
9	DRAIN TUBE	2189
10	WATER PUMP DISCHARGE TUBE	4744
11	PUMP SUPPORT	4613
12	WATER PUMP TRAY	4521
13	WATER PUMP 220V/50HZ	4769
14	WATER PUMP SUCTION TUBE	4961
15	DRAIN TUBE	2752
16	BIN	7503
17	THERMOSTAT TUBE	5230
18	THERMOSTAT JOINT	666
19	OVERFLOW PIPE	4426
20	O-RING	4496
21	OVERFLOW PIPE CAP	4427
22	CURTAIN ASSEMBLY	5223
23	CURTAIN HOLDER	8358A

***SERIAL NUMBER MUST BE PROVIDED**