

07/2019

# **Mod: WR-50WS-N**

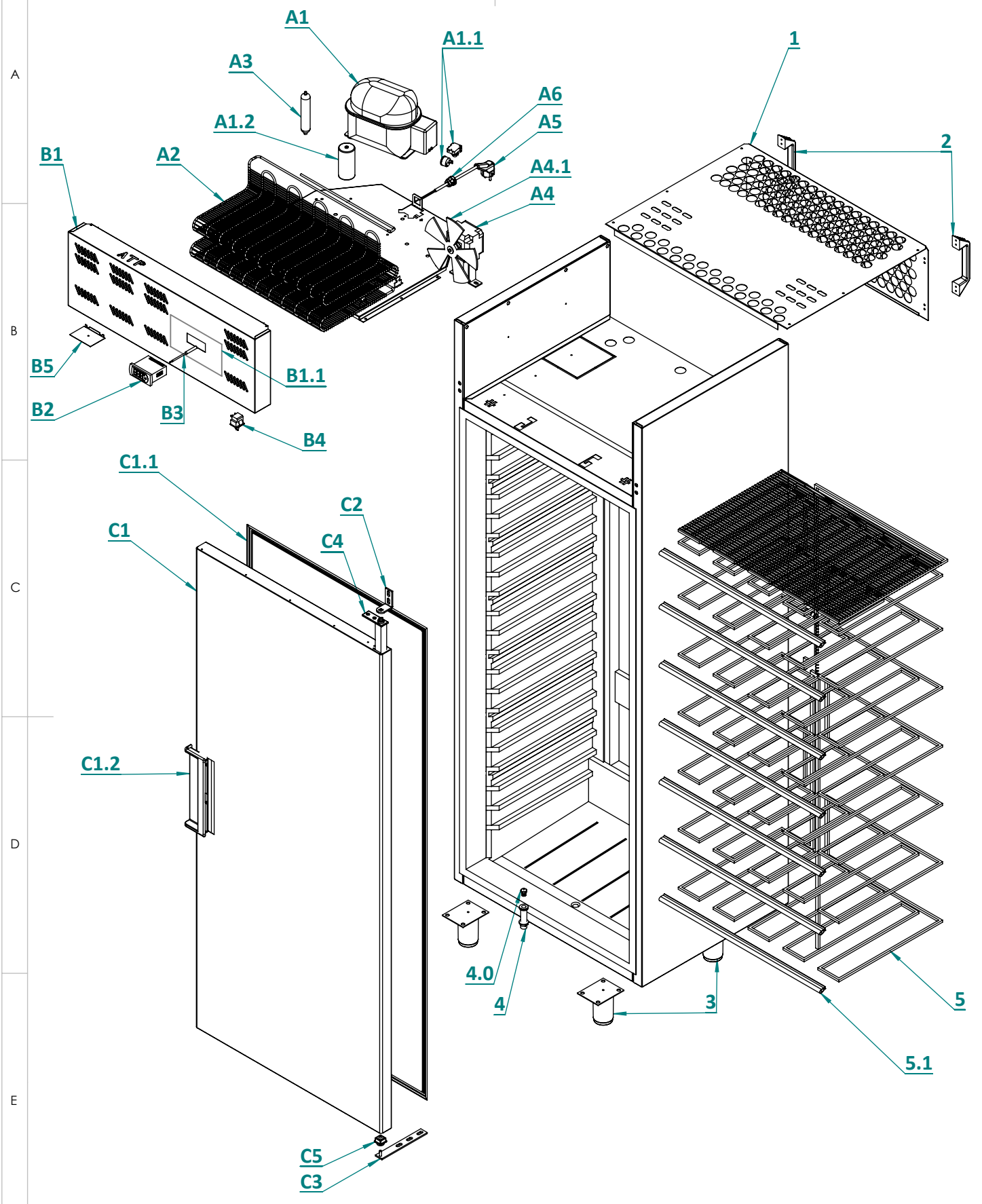
**Production code: 800212\_200**

## Spare Parts List | WR-50WV-P | K50X-PV / WR-50WS-N | K50X-NS

Pos.	Designation	Model Units				Code				
		WR-50WV-P	K50X-PV	WR-50WS-N	K50X-NS	WR-50WV-P	K50X-PV	WR-50WS-N	K50X-NS	
		800210_200	800213_200	800212_200	800214_200	800210_200	800213_200	800212_200	800214_200	
1	Top Cover ATP 500	1				118001				
2	Rear Handle	2				016354_006				
3	Adjustable Inox Feet	4				016553				
4	Sewage Valve	----		1		022076				
4.0	White Cover (16mm)	----		1	----	020176_000				
4.1	Drain Pipe	1		----	020102	----				
4.2	Pipe (Drain Collector)	1		----	016333	----				
5	Evaporator	1		----	016204	----				
	Negative Evaporator	----		1	----	016250				
5.1	Profile Spring-White (620mm)	----		8	----	016220				
6	Evaporator Protection	1		----	016205	----				
6.1	Nylon Cover 4.8mm	10		----	020174_000	----				
7	Support Motorventilador	1		----	109029	----				
8	Tangential Motorventilador	1		----	013013	----				
9	Motorventilador Protection	1		----	016206	----				
10	Shelf	5		----	007015_100	----				
11	Defrosting Water Tray	1		----	001115	----				
12	Water Tray Protection	1		----	116013	----				
13	Copper Tube 3/16"	1		----	020050	----				
A1	Compressor	1				003429	003433			
A1.1	Thermo Relay Compressor	1				003429_001	003433_001			
A1.2	Condenser for Compressor	1				003429_002	003433_002			

## Spare Parts List | WR-50WV-P | K50X-PV / WR-50WS-N | K50X-NS

Pos.	Designation	Model Units				Code			
		WR-50WV-P	K50X-PV	WR-50WS-N	K50X-NS	WR-50WV-P	K50X-PV	WR-50WS-N	K50X-NS
		800210_200	800213_200	800212_200	800214_200	800210_200	800213_200	800212_200	800214_200
A2	Condensor	1				003172			
A3	Universal Filter	1				006021	006022	006021	006022
A4	Motoventilador 5W with Support 72mm	1				013008			
A4.1	Fan for Motoventilador	1				022087			
A5	European Plug	1				012003			
A6	Cable Clamp	1				018001			
B1	Commands Panel - Diamond	1				116035_100	116037_200	116035_100	116037_200
B1.1	Stickers - Diamond	1				001069_05002	001069_05001	001069_05002	001069_05001
B2	Digital Thermostat	1				020227			
B3	Thermostat probe	1				018058			
B4	Door Micro switch	1				009025			
B5	Hinge Cover	1				109851	109852	109851	109852
C1	Solid Door	1				123034_200	123037_300	123034_200	123037_300
C1.1	Door gasket	1				002069_008	002075	002069_008	002075
C1.2	Built-in handle	1				016355_000	016356_000	016355_000	016356_000
C2	Door Top Support	1				004030			
C3	Door Bottom Support	1				018101			
C4	Door Hinge	1				004086			
C5	Hinge supplement	1				003052			



Localização: C:\SOLID DESENHOS\PRODUTOS\ARM. GERAL\ATP500\DIAMOND\F_EG ATP 500 N PO-N A PO_800212_200		Escala: 1:14	Superfície: -----	Peso: -----
		Data	Material: Skinplate White	
		Des.: 26/06/2019	Denominação: <b>Explode View WR-50WS-N</b>	
		Ver.:		
		Apr.:		
F	Modificação	Data	Nome	
Aviso ESTE DESENHO NÃO DEVE SER USADO NEM REPRODUZIDO NO TODO OU EM PARTE, SEM O PREVIÓ CONSENTIMENTO POR ESCRITO DA:		Tolerâncias: Até 100 mm : +/-1mm De 100 a 1000 mm ; +/- 1,5 mm Mais de 1000 mm ; 2mm Excepto quando especificado no desenho		<b>Diamond Europe</b>
		Modelo: WR-50WS-N /001	Nº Desenho: Cod. 800212_200	Folha: 01 01 Fls
		Organograma:	Desenho pai: LP210_R01-Cod. 800212_200	