



MOD : MD10/B5-R2

Production code : OI100PSVND97H

07/2023

Rev.

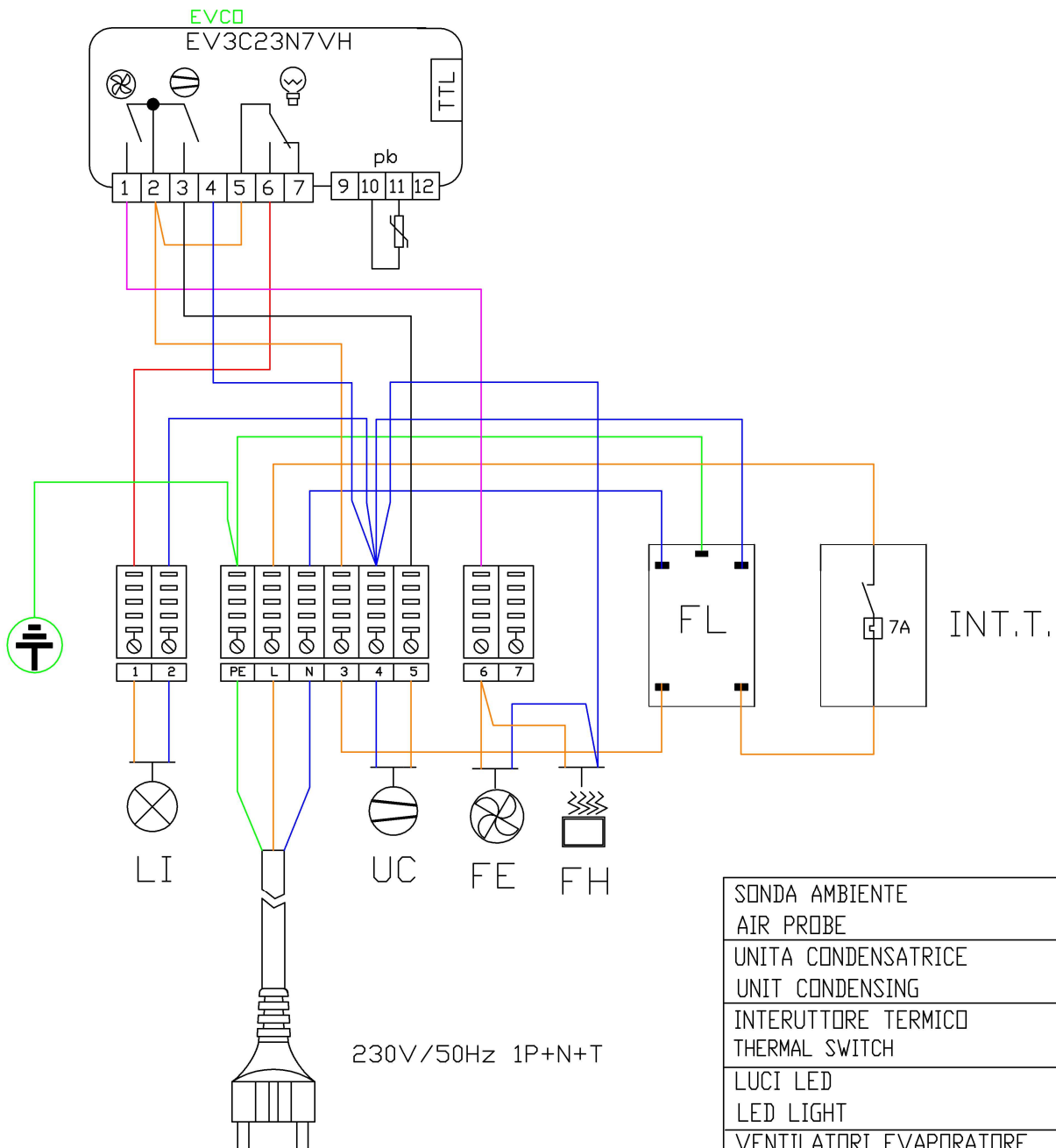
Modification

Date

00

Prima Emissione

22/09/2022



Approved By:

Electrical Schematic

Date

Model

MODENA LINE-PADOVA LINE

22/09/2022

Details:

70-100-120-150

Drawing Nr.

Dettagli:

STANDARD

220056