



# **MOD : E65/CP7T-N**

**Production code : F65/70CPE/1V40/T**

Jet engine compressor drawings

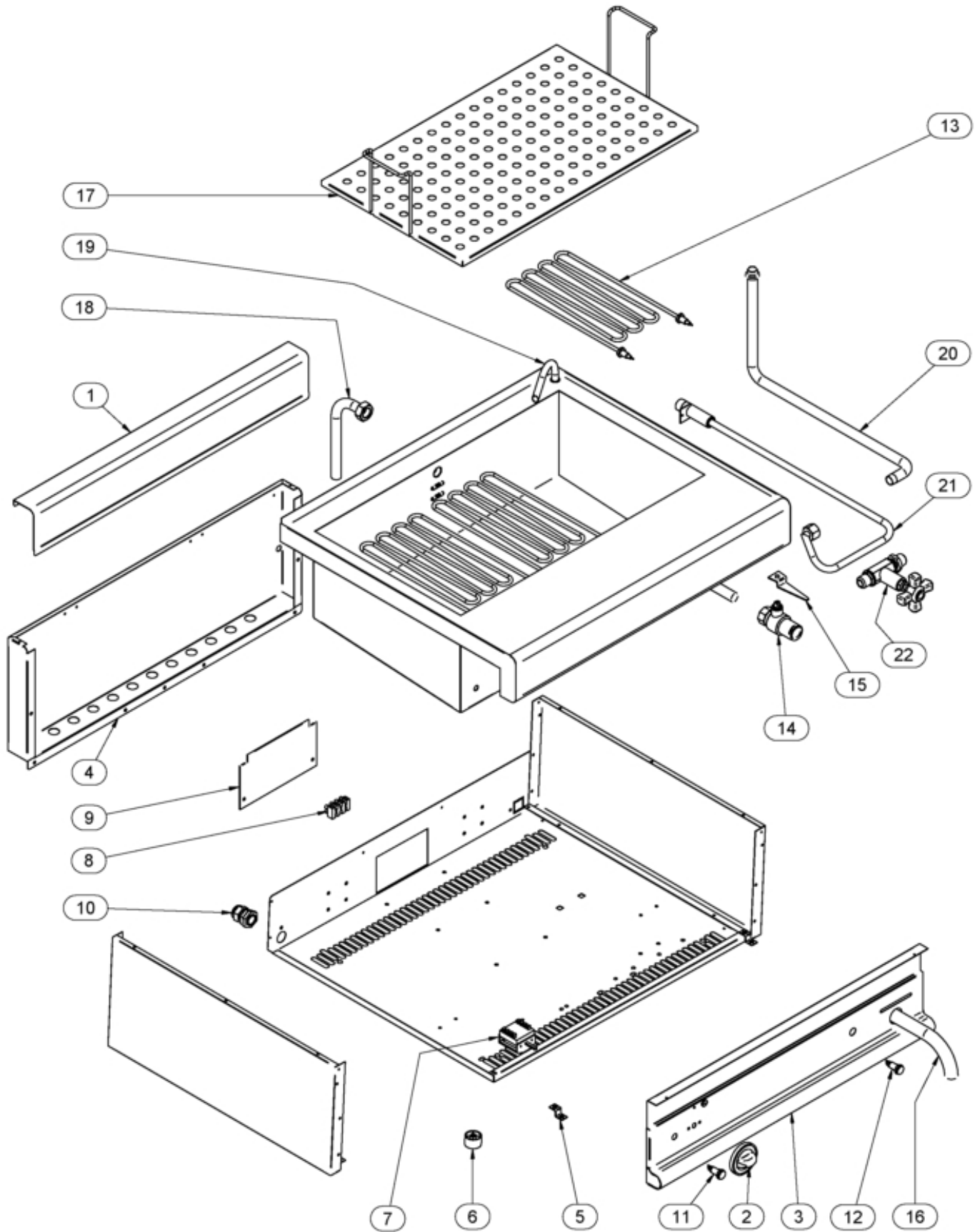
Creative  
MARKET

**03/2024**

Modello/Type: **65/70 CPE**

cod./num. 2531527.00

data/date: 31/07/2013



| Pos. | Réf.       | Description                         | De         | À          |
|------|------------|-------------------------------------|------------|------------|
| 0001 | 611.006.00 | SPLASH-BACK 70                      |            |            |
| 0002 | 612.086.00 | ASS.KNOB D62 EL. 4 POSIT.GREY       |            |            |
| 0003 | 256.174.00 | KIT CRUSCOTTO 65/70 CPE + INDICI    |            |            |
| 0004 | 621.028.00 | REAR PANEL 70                       |            |            |
| 0005 | 256.002.00 | KIT STAFFA FISS.CRUSCOTTO + VITI    |            |            |
| 0006 | 651.001.13 | FOOT DIAM.30 X 20H NEW              | 01/01/1999 | 31/05/2013 |
| 0006 | 651.001.13 | FOOT DIAM.30 X 20H NEW              | 01/06/2013 |            |
| 0007 | 661.037.00 | CHANGE-OVER SWITCH 4 POS.EGO        |            |            |
| 0008 | 663.018.00 | 4-POLE TERMINAL BOARD PA 44 A       |            |            |
| 0009 | 623.006.00 | COVER FOR TERMINAL BOARD            |            |            |
| 0010 | 256.114.00 | KIT PRESSACAVO PG16 + GHIERA        |            |            |
| 0011 | 663.043.00 | GREEN PILOT LIGHT                   |            |            |
| 0012 | 663.044.00 | ORANGE PILOT LIGHT                  |            |            |
| 0013 | 665.032.00 | HEATING ELEMENT CPE                 |            |            |
| 0014 | 256.047.00 | KIT RUB. SCAR. 3/4" C/BLOCCO+DADO   |            |            |
| 0015 | 623.024.00 | RIGHT HAND VALVE LEVER              |            |            |
| 0016 | 631.000.00 | TUBE DECHARGE D.22                  |            |            |
| 0017 | 611.466.00 | ASS.FALSOFONDO SUPP.CEST. 65/70 CPE |            |            |
| 0018 | 256.050.00 | KIT COLL. SCAR.-LIV.+ATTACCO+GUARN. |            |            |
| 0019 | 631.030.13 | ENTRATA ACQUA CP                    |            |            |
| 0020 | 611.470.00 | ASS.TUBO ALIM. ACQUA 65/40-70 CPE   |            |            |
| 0021 | 611.469.00 | ASS.TUBO RACC.RUBINETTO 65/70 CPE   |            |            |
| 0022 | 678.010.14 | STOPPING TAP M-M 1/2                |            |            |